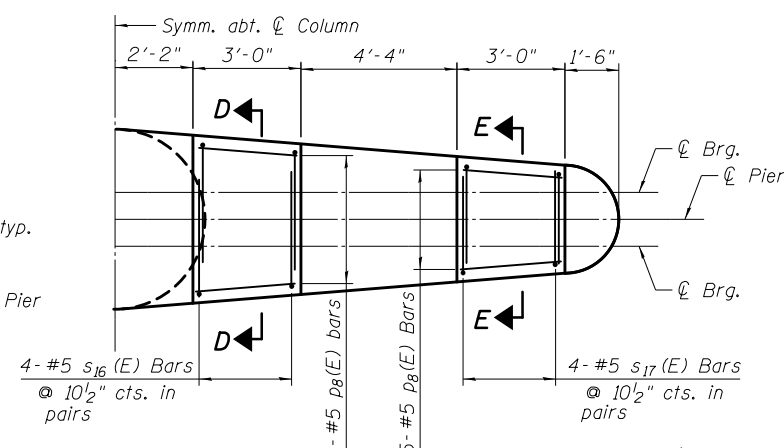
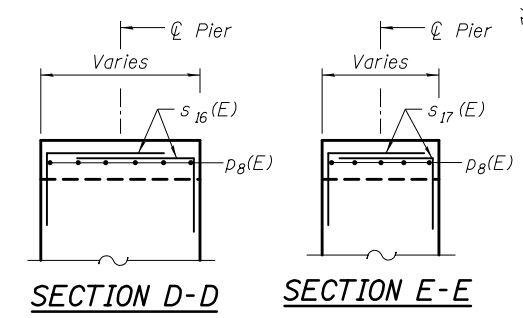


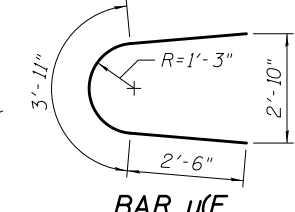
TOP PLAN



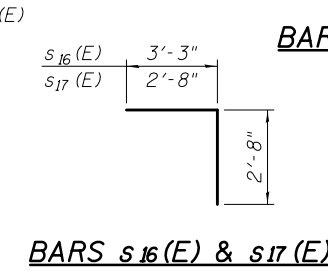
BEARING SEAT PLAN



SECTION D-D SECTION E-E



BAR u(E)



BARS s16(E) & s17(E)

BARS s1(E) thru s8(E)

Bar	'a'
s1(E)	2'-10 1/2"
s2(E)	2'-10"
s3(E)	2'-9 1/2"
s4(E)	2'-8 3/4"
s5(E)	2'-8"
s6(E)	2'-7 1/2"
s7(E)	2'-6"
s8(E)	2'-5 1/2"

BARS s9(E) thru s15(E)

Bar	'b'
s9(E)	3'-8"
s10(E)	3'-6"
s11(E)	3'-4 1/2"
s12(E)	3'-2"
s13(E)	3'-0 1/2"
s14(E)	2'-10 1/2"
s15(E)	2'-8 1/2"

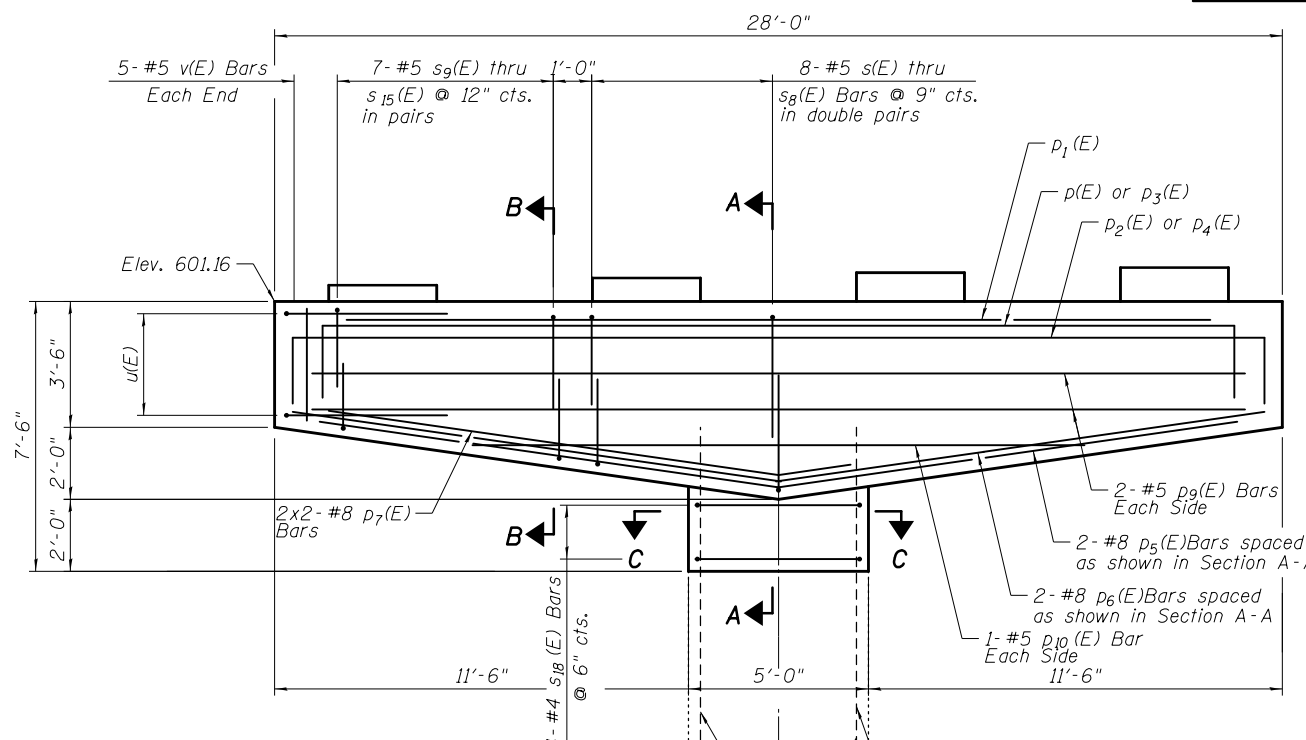
BILL OF MATERIAL

Bar	No.	Size	Length	Shape
p1(E)	2	#11	29'-4"	U
p2(E)	2	#11	24'-0"	U
p3(E)	3	#11	31'-0"	U
p4(E)	2	#10	29'-0"	U
p5(E)	2	#8	27'-0"	U
p6(E)	2	#8	25'-6"	U
p7(E)	4	#8	14'-6"	U
p8(E)	22	#5	2'-8"	U
p9(E)	4	#5	25'-4"	U
p10(E)	2	#5	17'-0"	U
s(E)	8	#5	10'-4 1/2"	U
s1(E)	8	#5	10'-4"	U
s2(E)	8	#5	10'-3 1/2"	U
s3(E)	8	#5	10'-3"	U
s4(E)	8	#5	10'-2"	U
s5(E)	8	#5	10'-1 1/2"	U
s6(E)	8	#5	10'-1"	U
s7(E)	8	#5	10'-0"	U
s8(E)	8	#5	9'-11 1/2"	U
s9(E)	4	#5	10'-2"	U
s10(E)	4	#5	10'-0"	U
s11(E)	4	#5	9'-10 1/2"	U
s12(E)	4	#5	9'-8"	U
s13(E)	4	#5	9'-6 1/2"	U
s14(E)	4	#5	9'-4 1/2"	U
s15(E)	4	#5	9'-2 1/2"	U
s16(E)	8	#5	5'-11"	U
s17(E)	8	#5	5'-3"	U
s18(E)	4	#4	16'-4"	U
u(E)	8	#5	8'-11"	U
v(E)	10	#5	3'-2"	U
Concrete Structures		Cu. Yd.	22.5	
Reinforcement Bars, Epoxy Coated		Pound	3,640	
Concrete Sealer		Sq. Ft.	550	

Exist. 16-#14 reinforcement bars to remain, shall be cleaned and incorporated into the new construction. Cost included with concrete removal. Provide Mechanical Splicers, see Sheet S-63

DETAIL 2

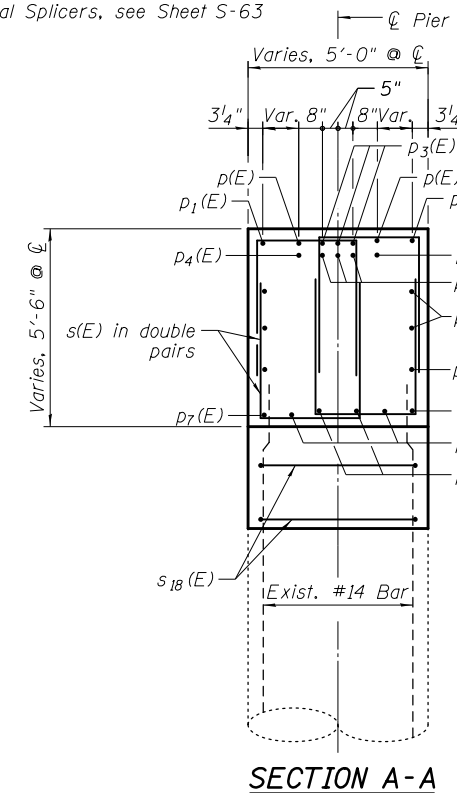
DETAIL 1



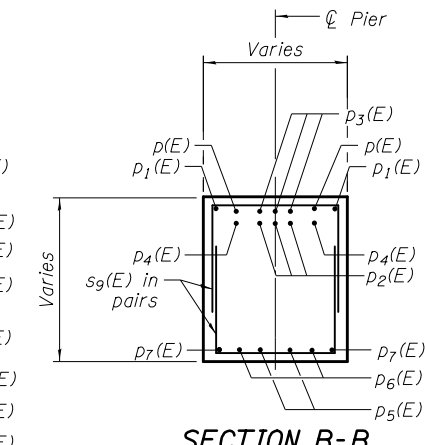
BEARING SEAT ELEVATIONS

Beam No.	S. Elevation	N. Elevation
G1	602.00	602.00
G2	602.15	602.15
G3	602.31	602.31
G4	602.49	602.49

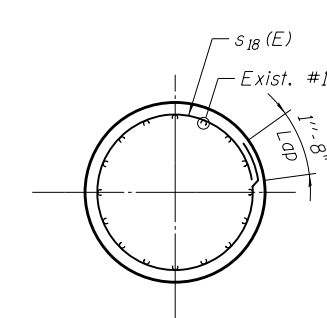
ELEVATION
(Looking North)



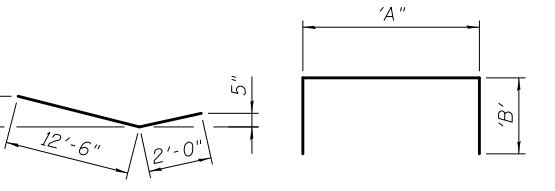
SECTION A-A



SECTION B-B

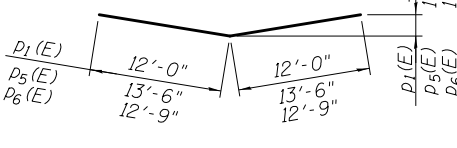


SECTION C-C

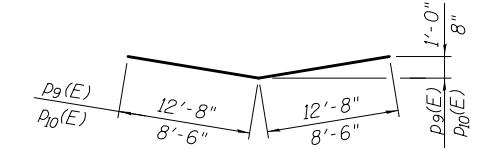


BARS p7(E) BARS p1(E), p2(E), p3(E) & p4(E)

Bar	'A'	'B'
p1(E)	25'-4"	2'-0"
p2(E)	27'-0"	1'-10"
p3(E)	27'-0"	2'-0"
p4(E)	25'-4"	1'-10"



BARS p1(E), p5(E) & p6(E)



BARS p9(E) & p10(E)

Note:
1. See S-38 & S-39 for Anchor Bolt Layout and dimensions.

2/26/22 PM

12/7/2012

S:\1072_05_CADD\Structure\1 SN 0162437\CADD Sheets\0162437-60J12-950-FR03.dgn

BOWMAN, BARRETT & ASSOCIATES INC.
CONSULTING ENGINEERS
Chicago, Illinois
312.228.0100
www.bbainc.com

USER NAME	DESIGNED	REVISIONS
-	SF	-
-	BAK	-
-	MTR	-
-	SF	-

STATE OF ILLINOIS
DEPARTMENT OF TRANSPORTATION

PIER 3 CAP RECONSTRUCTION DETAILS
STRUCTURE NO. 016-2437

SHEET NO. S-50 OF S-83 SHEETS

F.A.I. RTE.	SECTION	COUNTY	TOTAL SHEETS	SHEET NO.
94	2012-060-BR	COOK	285	213

CONTRACT NO. 60V61
ILLINOIS FED. AID PROJECT