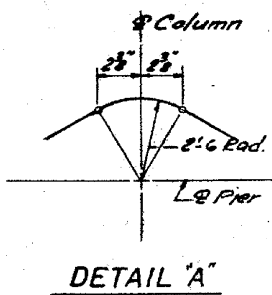
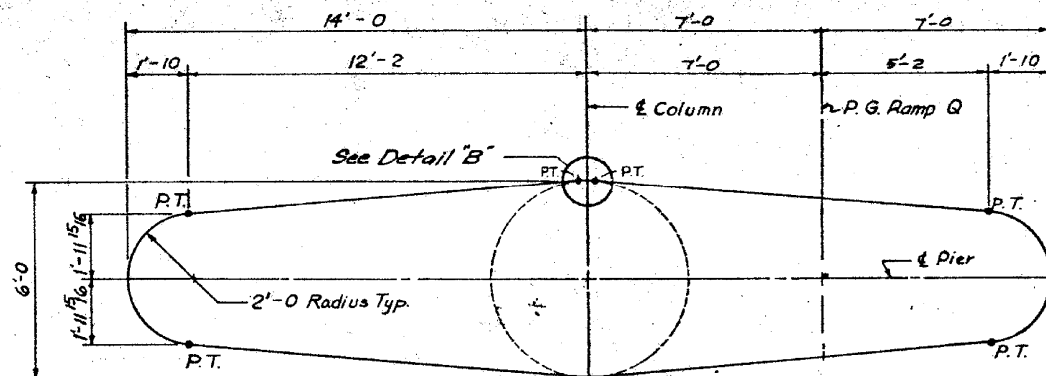


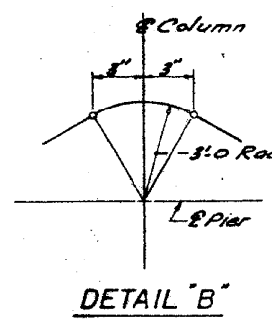
PLAN



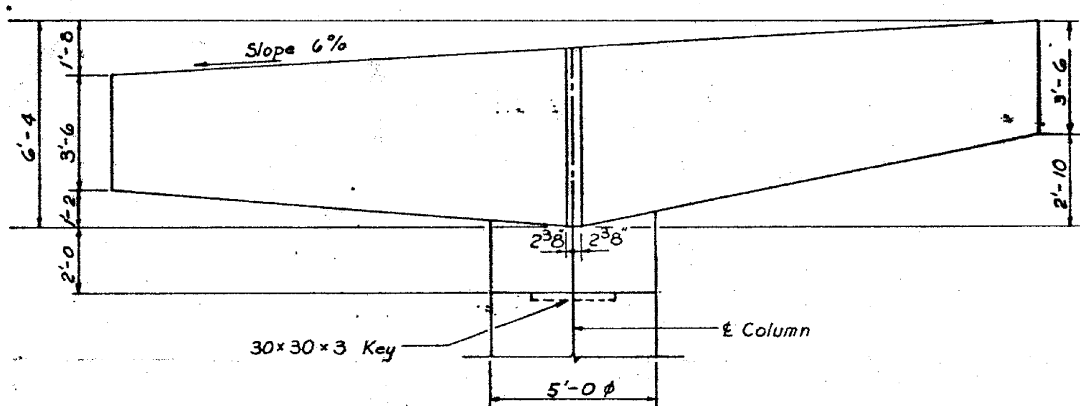
DETAIL "A"



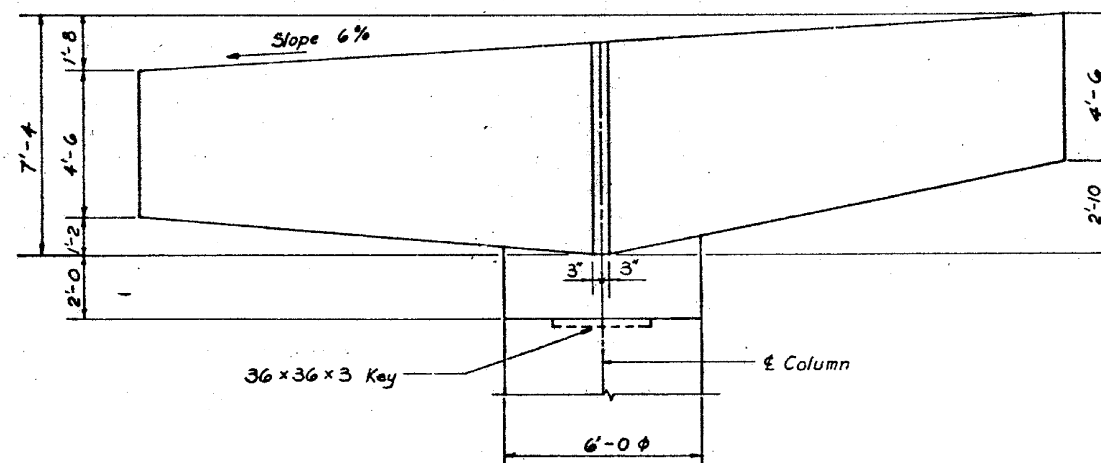
PLAN



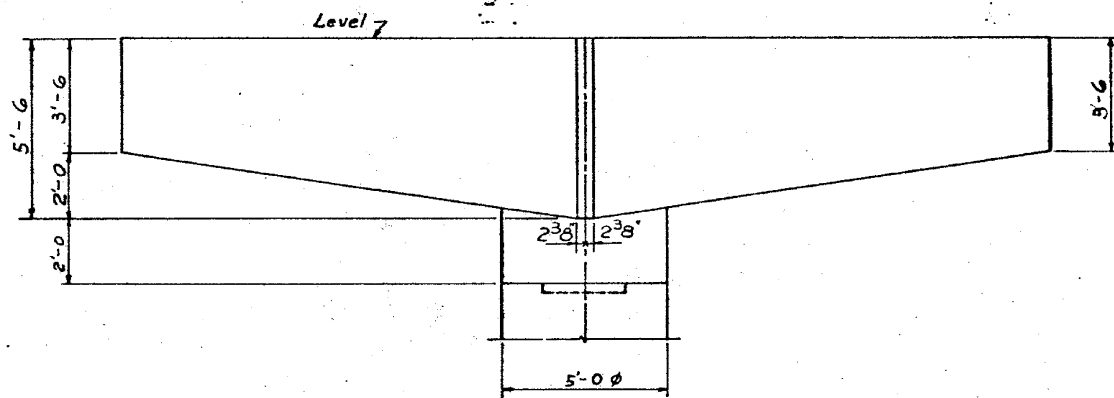
DETAIL "B"



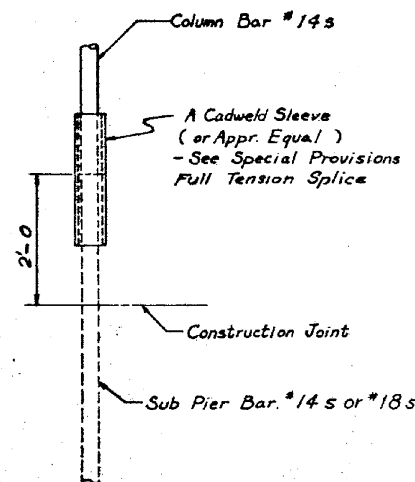
ELEVATION
Typ. For Piers 4 Thru 6



ELEVATION
Typ. For Piers 7 Thru 13



ELEVATION
Typ. For Piers 1 Thru 3



TYP. COLUMN BAR SPLICE *

*NOTE

As an alternate, the Contractor may elect at his option to weld the Column bar splices in the field in lieu of providing the mechanical couplers shown in the plans. If the Contractor supplies welded bar splices, the preparation of the reinforcement bars and the welding process shall be in conformance with the Special Provision for Welding Reinforcing Steel included in the Contract Document for this improvement.

REVISIONS		
DATE	BY	DESCRIPTION

DEPARTMENT OF HIGHWAYS COOK COUNTY, ILLINOIS					
GEORGE W. DUNNE PRESIDENT BOARD OF COMMISSIONERS			SUPERINTENDENT OF HIGHWAYS		
PIER CAP DETAILS					
STONY ISLAND CONNECTOR TO FAI 94 RAMP Q STRUCTURE					
KNOERLE, BENDER, STONE & ASSOCIATES INC. CONSULTING ENGINEERS CHICAGO, ILLINOIS				PROJECT EBD 245 (??)	
APPROVED 4-11-72 <i>[Signature]</i>				SCALE APPROVED <i>[Signature]</i>	
F.A.I. RTE.	SECTION	COUNTY	TOTAL SHEETS	SHEET NO.	
94	2012-060-BR	COOK	285	240	
F.A. Route No.			COUNTY HWY. Route No.	Sheet No.	Total Sheets
122			174A	37	109

BOWMAN, BARRETT & ASSOCIATES INC.
CONSULTING ENGINEERS
Chicago, Illinois
312.228.0100
www.bbandainc.com

USER NAME =
DESIGNED -
CHECKED - BAK
PLOT SCALE =
DRAWN -
PLOT DATE = 11/08/2012

DESIGNED -
CHECKED - BAK
DRAWN -
CHECKED -

REVISED -
REVISED -
REVISED -
REVISED -

STATE OF ILLINOIS
DEPARTMENT OF TRANSPORTATION

EXISTING PLANS (FOR INFORMATION ONLY)
STRUCTURE NO. 016-2437

SHEET NO. S-77 OF S-83 SHEETS

F.A.I. RTE. SECTION COUNTY TOTAL SHEETS SHEET NO.
94 2012-060-BR COOK 285 240
CONTRACT NO. 60V61
ILLINOIS FED. AID PROJECT

2/27/2012 PM

12/7/2012

S:\1072_05_CADD\Structure\1 SN 0162437\CADD Sheets\062437-60J12-977-FY14.dgn