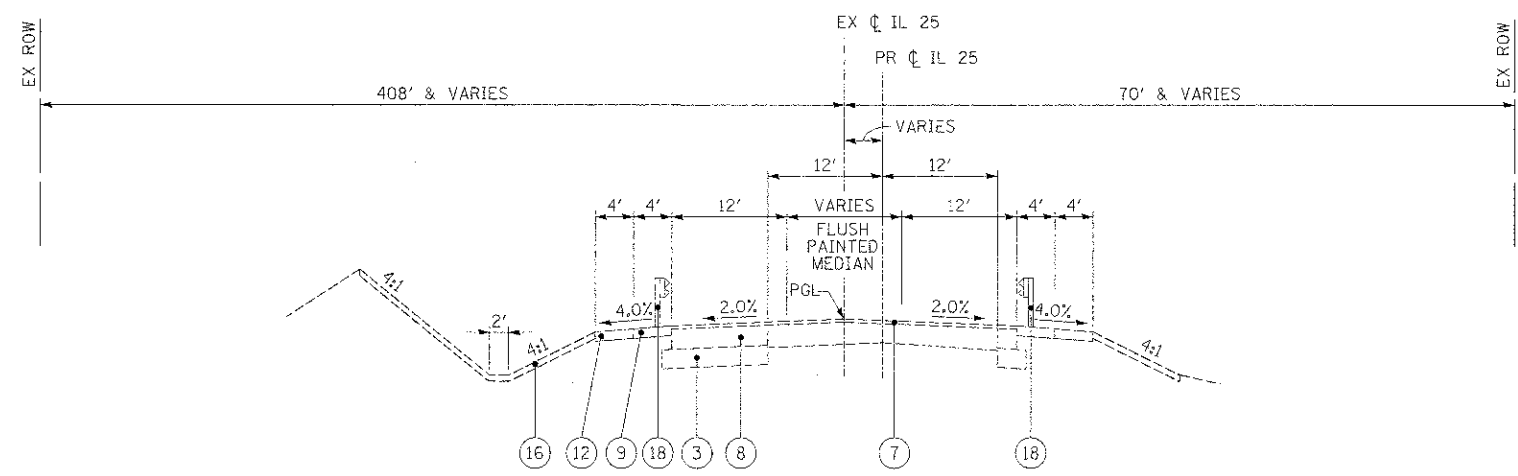


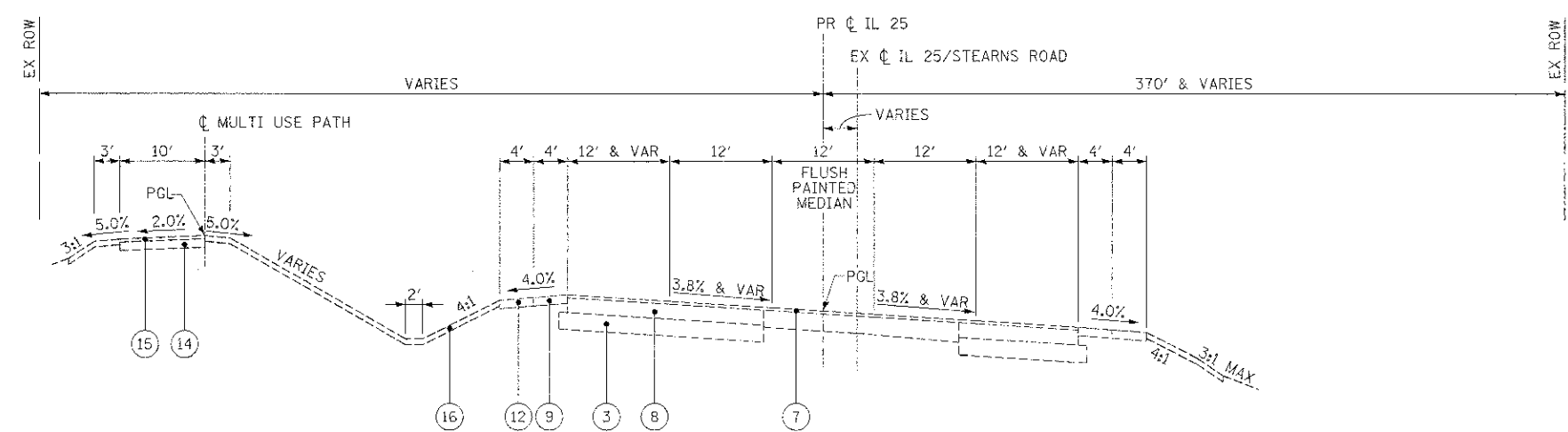
LEGEND

- ① PORTLAND CEMENT CONCRETE PAVEMENT 10" (JOINTED)
- ② STABILIZED SUBBASE, HOT-MIX ASPHALT, 4 1/2"
- ③ AGGREGATE SUBGRADE, 12"
- ④ PORTLAND CEMENT CONCRETE PAVEMENT 9"
- ⑤ COMBINATION CONCRETE CURB & GUTTER, TYPE B-6.24
- ⑥ CONCRETE MEDIAN, TYPE SB (SPEC)
- ⑦ POLYMERIZED HOT-MIX ASPHALT SURFACE COURSE, MIX "F", N90 (IL 9.5mm), 2"
- ⑧ HOT-MIX ASPHALT BINDER IL-19.0, N70, 10 1/2"
- ⑨ HOT-MIX ASPHALT SHOULDERS, 6"
- ⑩ HOT-MIX ASPHALT SHOULDERS, 8"
- ⑪ BICYCLE RAILING
- ⑫ AGGREGATE SHOULDERS, TYPE B, 6" OR 8"
- ⑬ HOT-MIX ASPHALT SURFACE, MIX "D", N50, 1 1/2"
- ⑭ AGGREGATE BASE COURSE, TYPE B, 6"
- ⑮ HOT-MIX ASPHALT SURFACE, MIX "C", N50, 2"
- ⑯ TOPSOIL EXCAVATION AND PLACEMENT
- ⑰ CLAY LINER, 8"
- ⑱ STEEL PLATE BEAM GUARD RAIL, TYPE A



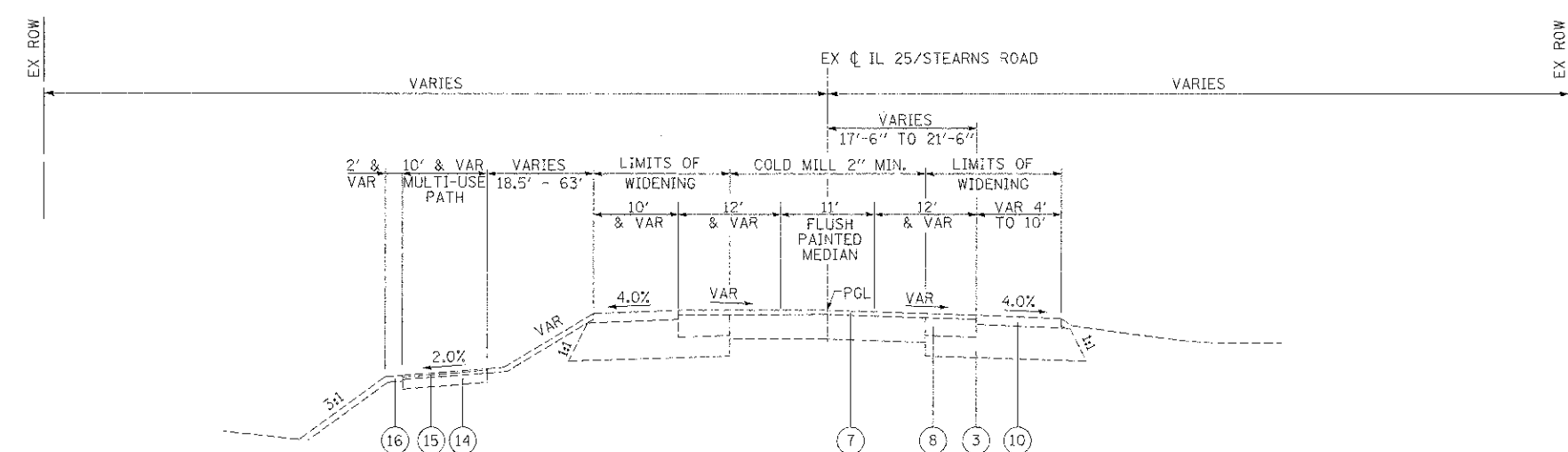
EXISTING TYPICAL SECTION NO 1

STA 102+52.19 TO STA 106+49.59, IL 25



EXISTING TYPICAL SECTION NO 2

STA 106+49.59 TO STA 116+45.57, IL 25/STEARNS ROAD



EXISTING TYPICAL SECTION NO 3

STA 116+45.57 TO STA 124+03.13, IL 25/STEARNS ROAD

FILE NAME	DESIGNED - AAF	REVISED -
...ND163598-dht-ex-typ-21.dgn	DRAWN - TMB	REVISED -
USER NAME - mbank	CHECKED - JMM	REVISED -
PLT DATE - 1/17/2013	DATE - 01/18/2013	REVISED -



STATE OF ILLINOIS
DIVISION OF TRANSPORTATION

SCALE: NTS	SHEET NO. 1 OF 9 SHEETS	STA.	TO STA.
------------	-------------------------	------	---------

P.A.P. R.T.C.	SECTION	COUNTY	TOTAL SHEETS	SHEET NO.
361	06-00214-10-RP	KANE	451	26
CONTRACT NO. 63598			ILLINOIS FED. AID PROJECT	