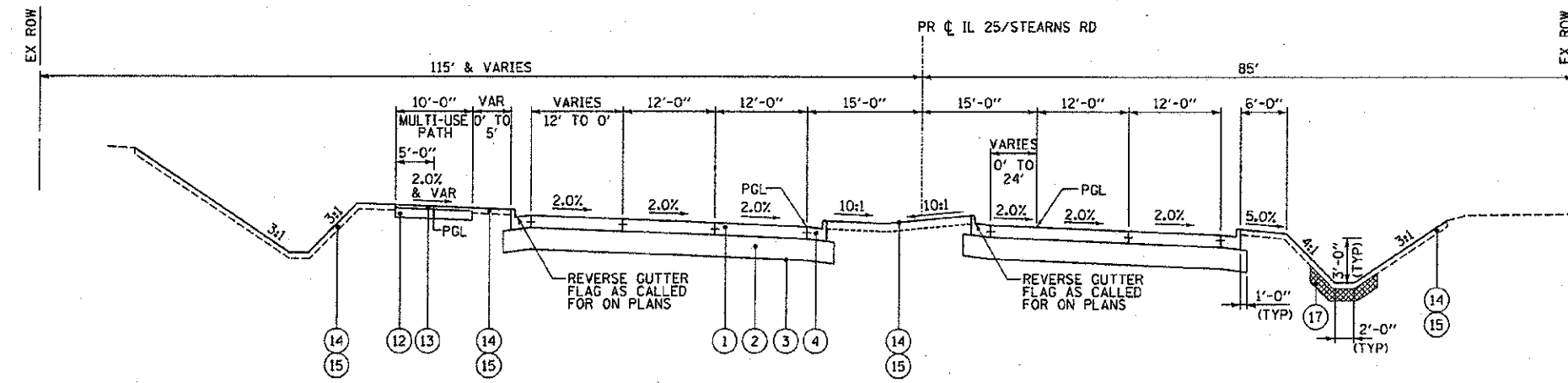


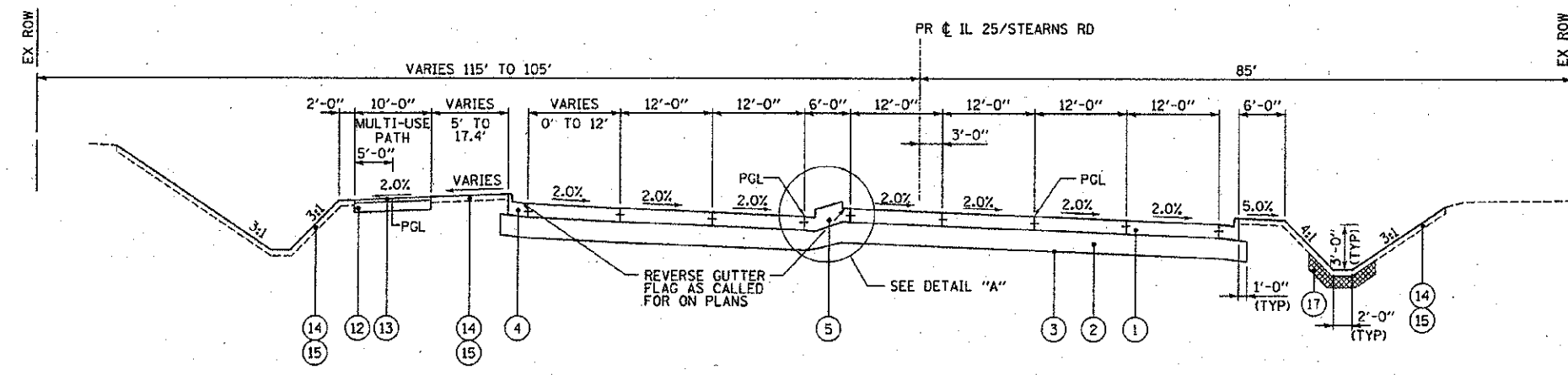
**PROPOSED TYPICAL SECTION NO 6**

STA 119+62.00 TO STA 124+32.22, IL 25/STEARNS ROAD  
 SE TRANS IN STA 120+85.36 TO STA 122+40.75  
 MULTI-USE PATH SE TRANS IN STA 122+50.00 TO STA 123+00.00



**PROPOSED TYPICAL SECTION NO 7**

SEE ROADWAY PLANS AND RETAINING WALL PLANS FOR WALL LOCATION  
 STA 124+32.22 TO STA 129+30.00, IL 25/STEARNS ROAD  
 MULTI-USE PATH SE TRANS OUT STA 126+00.00 TO STA 126+50.00



**PROPOSED TYPICAL SECTION NO 8**

STA 129+30.00 TO STA 132+20.50, IL 25/STEARNS ROAD

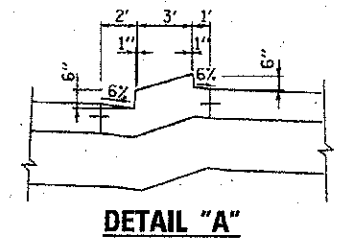
**LEGEND**

- ① PORTLAND CEMENT CONCRETE PAVEMENT 10" (JOINTED) (ALL REQUIRED JOINTS INCLUDED IN THE COST OF THIS PAY ITEM)
- ② AGGREGATE SUBGRADE IMPROVEMENT, 12"
- ③ GEOTECHNICAL FABRIC FOR GROUND STABILIZATION
- ④ COMBINATION CONCRETE CURB & GUTTER, TYPE B-6.24
- ⑤ CONCRETE MEDIAN, TYPE SB (SPEC)
- ⑥ POLYMERIZED HOT-MIX ASPHALT SURFACE COURSE, MIX "F", N90 (IL 9.5mm), 2"
- ⑦ POLYMERIZED HOT-MIX ASPHALT BINDER COURSE, IL-19.0, N90, 2 1/4" (TOP LIFT)  
HOT-MIX ASPHALT BINDER IL-19.0, N90, 8 1/4" (3 LIFTS)
- ⑧ BITUMINOUS MATERIALS (PRIME COAT)
- ⑨ HOT-MIX ASPHALT SHOULDER, 6" (2 LIFTS)
- ⑩ HOT-MIX ASPHALT SURFACE, MIX "D", N50, 2"
- ⑪ HOT-MIX ASPHALT BINDER IL-19.0mm, N50, 9" (4 LIFTS)
- ⑫ AGGREGATE BASE COURSE, TYPE B, 6"
- ⑬ HOT-MIX ASPHALT SURFACE, MIX "D", N50, 2"
- ⑭ TOPSOIL EXCAVATION AND PLACEMENT
- ⑮ SEEDING AND EROSION CONTROL BLANKET (SEE LANDSCAPING PLANS)
- ⑯ STEEL PLATE BEAM GUARDRAIL, TYPE A, 6 FT POSTS
- ⑰ CLAY LINER, 8"

THE ADDITIONAL FABRIC REQUIRED FOR OVERLAP AREAS SHALL NOT BE PAID FOR SEPARATELY BUT SHALL BE INCLUDED IN THE COST OF GEOTECHNICAL FABRIC FOR GROUND STABILIZATION.

ITEMS ⑩ AND ⑪ WILL BE PAID FOR AS HOT-MIX ASPHALT PAVEMENT (FULL DEPTH) 11"

ITEM ⑥ AND ⑦ WILL BE PAID FOR AS HOT-MIX ASPHALT PAVEMENT (FULL DEPTH) 12 1/2"



FILE NAME = ...D163598-ahd-pr-ty-83.dgn	DESIGNED - AAF	REVISED -		<b>STATE OF ILLINOIS</b> <b>DIVISION OF TRANSPORTATION</b>	<b>PROPOSED TYPICAL SECTIONS</b> <b>IL 25/STEARNS RD</b>			F.A.P. R.T.E.	SECTION	COUNTY	TOTAL SHEETS	SHEET NO.
USER NAME = tblank	DRAWN - TMB	REVISED -						36j	06-00214-1B-RP	KANE	451	32
PL01 DATE = 1/17/2013	CHECKED - JMM	REVISED -			SCALE: NTS SHEET NO. 7 OF 9 SHEETS STA. TO STA.			CONTRACT NO. 63598				
											ILLINOIS FED. AID PROJECT	