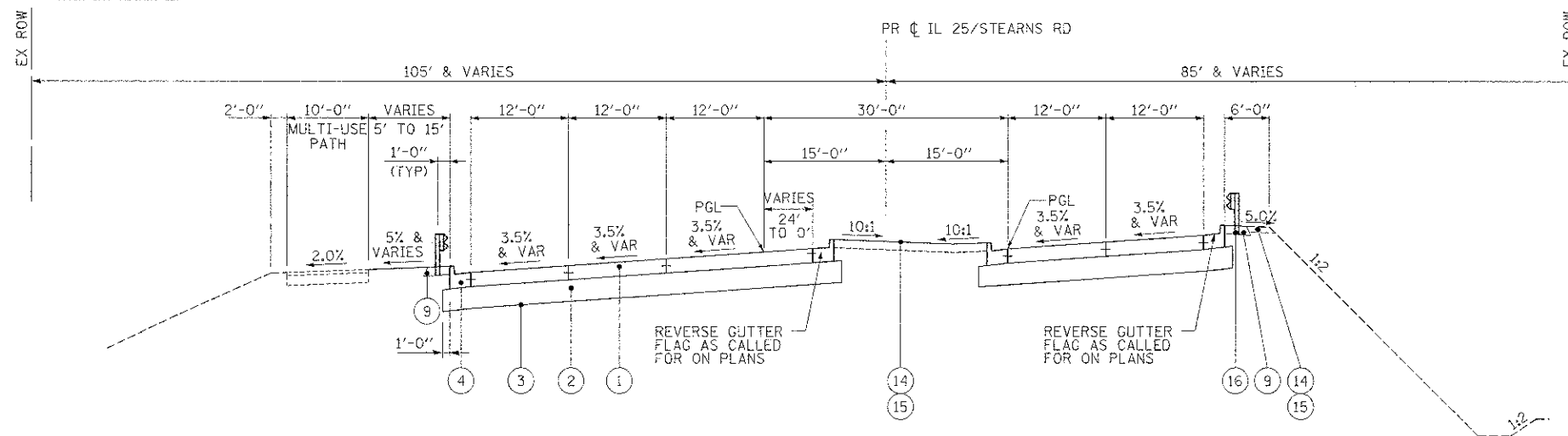


DETAIL "A"

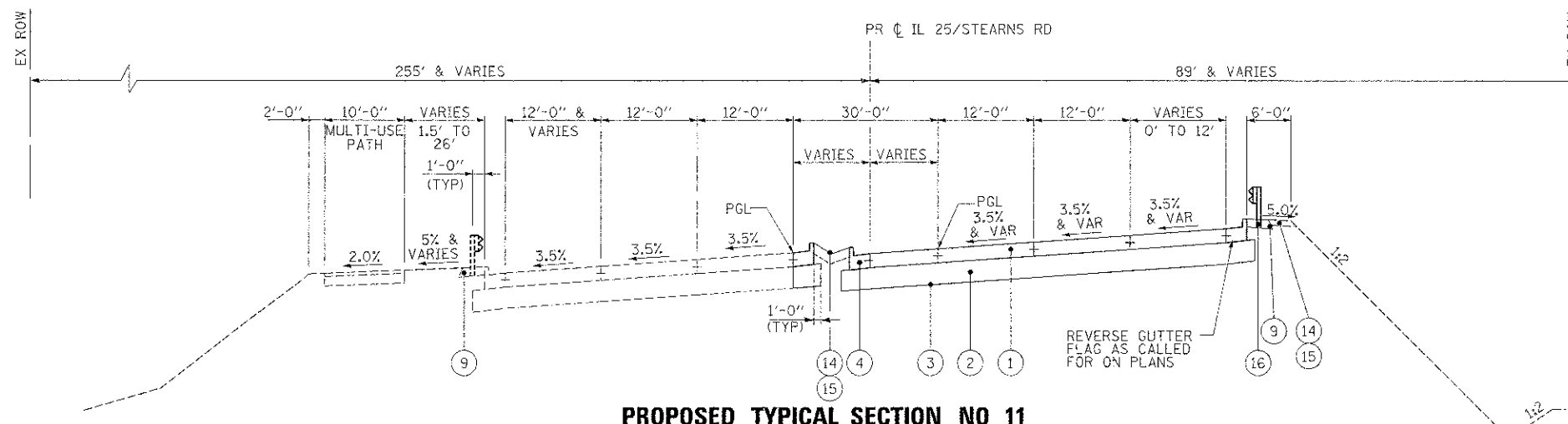
PROPOSED TYPICAL SECTION NO 9

STA 132+20.56 STA 134+00.00, IL 25/STEARNS ROAD
SE TRANS OUT STA 131+84.37 TO STA 133+61.95



PROPOSED TYPICAL SECTION NO 10

STA 134+00.00 TO STA 139+40.00, IL 25/STEARNS ROAD
SE TRANS IN STA 135+60.34 TO STA 138+04.55
(PROPOSED BRIDGE DIMENSION STA 137+90.64 TO STA 139+19.37)
IL 25/STEARNS ROAD BRIDGE OVER E. BRANCH BREWSTER CREEK



PROPOSED TYPICAL SECTION NO 11

STA 139+40.00 TO STA 142+40.00, IL 25/STEARNS ROAD
SE TRANS OUT STA 140+89.21 TO STA 143+33.41

LEGEND

- ① PORTLAND CEMENT CONCRETE PAVEMENT 10" (JOINTED) (ALL REQUIRED JOINTS INCLUDED IN THE COST OF THIS PAY ITEM)
- ② AGGREGATE SUBGRADE IMPROVEMENT, 12"
- ③ GEOTECHNICAL FABRIC FOR GROUND STABILIZATION
- ④ COMBINATION CONCRETE CURB & GUTTER, TYPE B-6.24
- ⑤ CONCRETE MEDIAN, TYPE SB (SPEC)
- ⑥ POLYMERIZED HOT-MIX ASPHALT SURFACE COURSE, MIX "F", N90 (IL 9.5mm), 2"
- ⑦ POLYMERIZED HOT-MIX ASPHALT BINDER COURSE, IL-19.0, N90, 2 1/4" (TOP LIFT)
HOT-MIX ASPHALT BINDER IL-19.0, N90, 8 1/4" (3 LIFTS)
- ⑧ BITUMINOUS MATERIALS (PRIME COAT)
- ⑨ HOT-MIX ASPHALT SHOULDER, 6" (2 LIFTS)
- ⑩ HOT-MIX ASPHALT SURFACE, MIX "D", N50, 2"
- ⑪ HOT-MIX ASPHALT BINDER IL-19.0mm, N50, 9" (4 LIFTS)
- ⑫ AGGREGATE BASE COURSE, TYPE B, 6"
- ⑬ HOT-MIX ASPHALT SURFACE, MIX "D", N50, 2"
- ⑭ TOPSOIL EXCAVATION AND PLACEMENT
- ⑮ SEEDING AND EROSION CONTROL BLANKET (SEE LANDSCAPING PLANS)
- ⑯ STEEL PLATE BEAM GUARDRAIL, TYPE A, 6 FT POSTS
- ⑰ CLAY LINER, 8"

THE ADDITIONAL FABRIC REQUIRED FOR OVERLAP AREAS SHALL NOT BE PAID FOR SEPARATELY BUT SHALL BE INCLUDED IN THE COST OF GEOTECHNICAL FABRIC FOR GROUND STABILIZATION.

ITEMS ⑩ AND ⑪ WILL BE PAID FOR AS HOT-MIX ASPHALT PAVEMENT (FULL DEPTH) 1"

ITEM ⑥ AND ⑦ WILL BE PAID FOR AS HOT-MIX ASPHALT PAVEMENT (FULL DEPTH) 12 1/2"

FILE NAME ...D:\06598-sh\01\app\app-04.dgn	DESIGNED - AAF	REVISED -		STATE OF ILLINOIS DIVISION OF TRANSPORTATION	PROPOSED TYPICAL SECTIONS IL 25/STEARNS RD			F.A.P. RTE. 361	SECTION 06-00214-18-RP	COUNTY KANE	TOTAL SHEETS 451	SHEET NO. 33	
USER NAME tblank	DRAWN - TMD	REVISED -			SCALE: NTS	SHEET NO. 8 OF 9 SHEETS	STA.	TO STA.	ILLINOIS REG. AID PROJECT CONTRACT NO. 63598				
PLOT DATE 1/17/2013	CHECKED - JMM	REVISED -			DATE 01/18/2013	REVISED -							