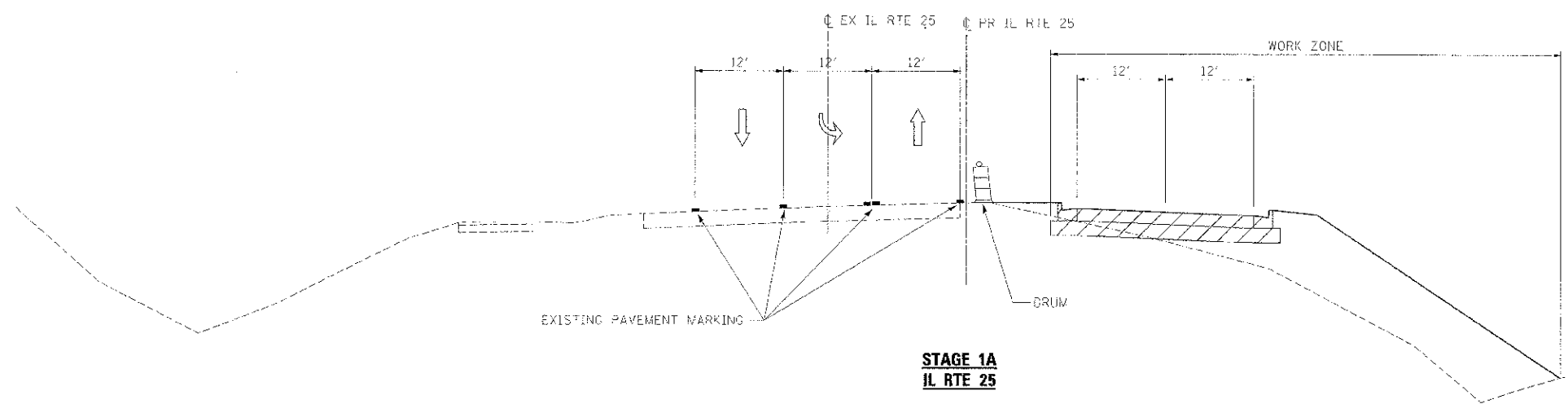



**STAGE 1A
IL RTE 25**

STA. 125+63 TO STA. 130+34



**STAGE 1A
IL RTE 25**

STA. 132+19 TO STA. 142+40

FILE NAME : ...13163098-shu-mat-top-125-25.dgn	DESIGNED - AAA	REVISED -		STATE OF ILLINOIS DIVISION OF TRANSPORTATION		MAINTENANCE OF TRAFFIC TYPICAL SECTION - STAGE 1A		SECTION	COUNTY	TOTAL SHEETS	SHEET NO.
USER NAME : -stiaes	DRAWN - TVG	REVISED -						C6-C0214-16-PP	KANF	45	79
PLST DATE : 2/26/2013	CHECKED - JMM	REVISED -						CONTRACT NO. 63598			
	DATE : 01/18/2013	REVISED -	SCALE: NTS		SHEET NO. 17 OF 61 SHEETS STA. TO STA.		ILLINOIS FED. AID PROJECT				