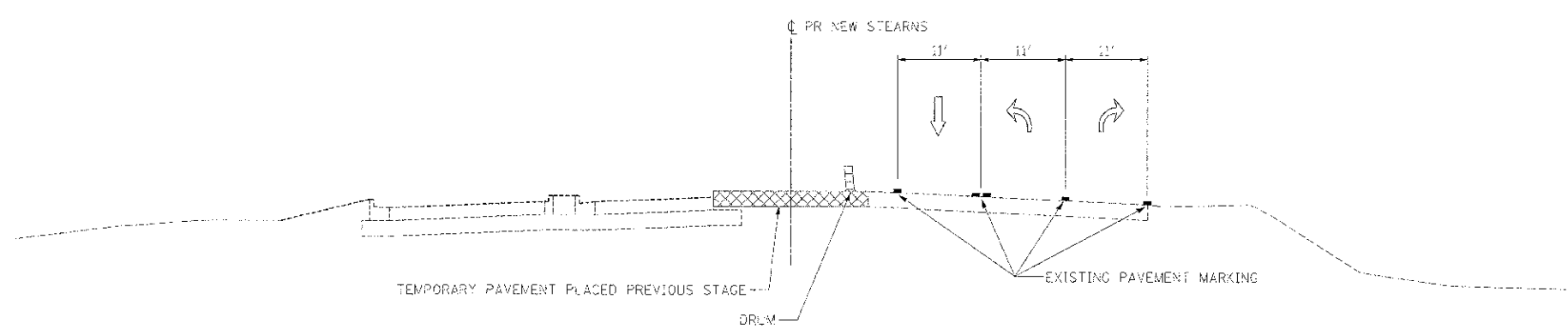



**STAGE 1A-2  
IL RTE 25**

STA. 109+00 TO STA. 113+00



**STAGE 1A-2  
STEARNS RD**

STA. 606+39 TO STA. 608+92

ILL. STATE DIVISION OF TRANSPORTATION PROJECT NO. 06-0C214-18-RP SHEET NO. 451 OF 451	DESIGNED - AAA DRAWN - TVB CHECKED - JMM DATE - 06/15/2013	REVISED - REVISED - REVISED -	 <p><b>benesch</b> engineers · scientists · planners</p>	<p align="center"><b>STATE OF ILLINOIS DIVISION OF TRANSPORTATION</b></p>	<p align="center"><b>MAINTENANCE OF TRAFFIC TYPICAL SECTION - STAGE 1A-2</b></p>	SCALE: NTS SHEET NO. 24 OF 61 SHEETS STA. TO STA.	F.A.P. R.T.E. 361	SECTION 06-0C214-18-RP	COUNTY KANE	TOTAL SHEETS 451	SHEET NO. 451	CONTRACT NO. 63598 ILLINOIS FED. AID PROJECT
--	---	-------------------------------------	---	---	--	---	-------------------------	---------------------------	----------------	---------------------	------------------	---