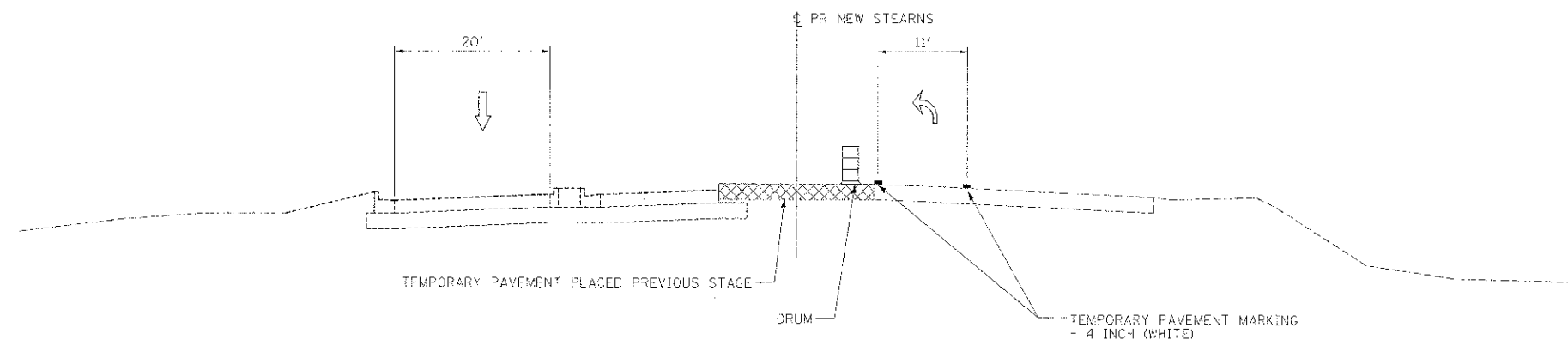


STAGE 2-2
IL RTE 25
 STA. 102+52 TO STA. 106+87.50



STAGE 2-2
STEARNS RD
 STA. 606+39 TO STA. 608+92

FILE NAME	DESIGNED - AAA	REVISED
... 10152598-ohc nat top 125 southern 3M.jpg	DRAWN - TNG	REVISED -
USER NAME - GJank	CHECKED - JMM	REVISED -
FILE DATE - 2/26/2013	DATE - 01/16/2013	REVISED -



STATE OF ILLINOIS
 DIVISION OF TRANSPORTATION

MAINTENANCE OF TRAFFIC
 TYPICAL SECTION - STAGE 2-2
 SCALE: NTS SHEET NO. 46 OF 61 SHEETS STA. TO STA.

STATE A.P. RTE.	SECTION	COUNTY	TOTAL SHEETS	SHEET NO.
361	06-00214-18-PP	KANE	451	108
CONTRACT NO. 63598				
ILLINOIS FED. AID PROJECT				