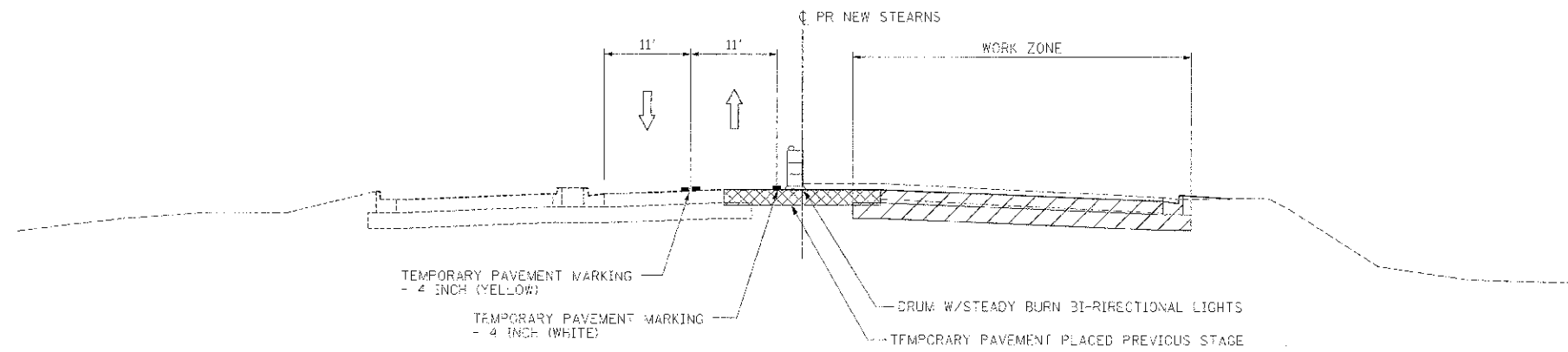



**STAGE 2-4  
IL RTE 25**

STA. 106+91 TO STA. 109+00



**STAGE 2-4  
STEARNS RD**

STA. 606+39 TO STA. 608+92

FILE NAME D:\63598\63598-06-00214-18-RP\02-06-2018\06-00214-18-RP.dgn	DESIGNED - AAA	REVISED -		<b>STATE OF ILLINOIS DIVISION OF TRANSPORTATION</b>	<b>MAINTENANCE OF TRAFFIC TYPICAL SECTION - STAGE 2-4</b>	R.A.P. RTE.	SECTION	COUNTY	TOTAL SHEETS	
USER NAME - tsauk	DRAWN - TMB	REVISED -				361	06-00214-18-RP	KANE	451	114
PLUT DATE - 2/26/2013	CHECKED - JMK	REVISED -				SHEET NO. 52 OF 61 SHEETS		STA.	TO STA.	CONTRACT NO. 63598
						ILLINOIS AID PROJECT				