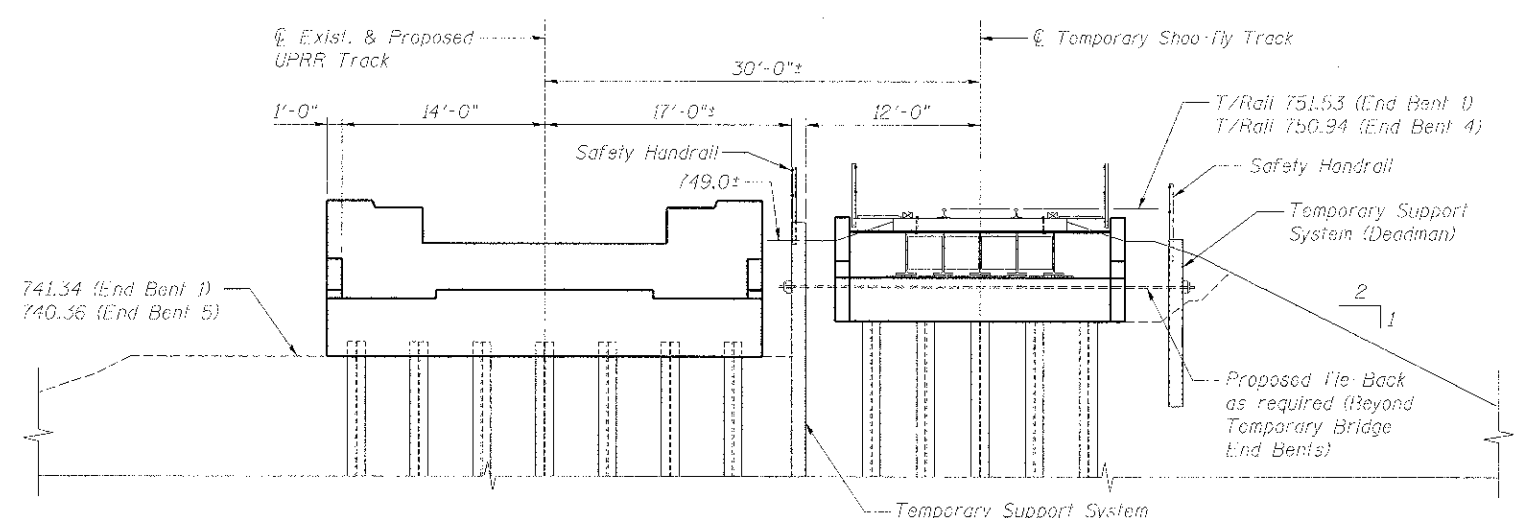


PLAN - STAGE 1B CONSTRUCTION

**PROPOSED CONSTRUCTION SEQUENCE**

- Stage 1B - Construct permanent bridge.  
Rail traffic operates on Temporary Shoo-fly Track.  
Vehicular traffic is maintained on existing IL 25/Stearns Road. Night closures will be required to remove the substructure for the existing bridge, and for erecting the new superstructure.
1. Temporary Support System installed in Stage 1A to remain in place. Install additional Temporary Support System as shown to protect the Shoo-fly Track.
  2. Excavate existing embankment, while installing temporary tie-backs as necessary, to the level of the bottom of new bent caps and abutment caps.
  3. Complete excavation required to construct new abutments and concrete bent caps.
  4. Remove portions of the existing substructure as shown.
  5. Drive steel pipe piles and complete construction to the level of the bottom of cap for new bents and abutments.
  6. Construct embankment slope on the east end of the new bridge.
  7. Complete construction of the permanent bridge superstructure.
  8. During a track outage, cut-over UPRR track to the new alignment.

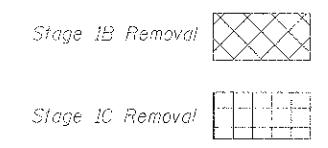
- Stage 1C - Construct new roadway  
Rail traffic operates on new alignment.  
Vehicular traffic is temporarily maintained on existing IL 25/Stearns Rd. until completion of the West (SB) portion of the new roadway.
1. Remove Temporary Shoo-fly bridge, Temporary Support System and remaining portions of the original abutment.
  2. Excavate shoo-fly embankment and existing embankment beneath the permanent bridge to construct the new south bound roadway.
  3. Place Concrete Encasement for Bents 3 & 4.
  4. Shift vehicular traffic to newly constructed roadway.
  5. Construct new north bound lanes.
  6. Place Concrete Encasement for Bent 2.



CROSS SECTION - STAGE 1B CONSTRUCTION

End Bent 1 shown (Looking toward West Chicago)  
End Bent 5 similar with Shoo-fly Track on grade

**LEGEND**



**NOTE:**  
See sheet UP-16 for views C-C and D-D.

**benesch**  
engineers - scientists - planners  
Alfred Benesch & Company  
205 North Michigan Avenue, Suite 2400  
Chicago, Illinois 60601  
312-565-0450 Job No. 10074

FILE NAME	USER NAME	DESIGNED	REVISED
Permit.BIB.Const.Stage2.3.dgn	grimm	JLS	
		CHECKED	REVISED
		LRB	
		DRAWN	REVISED
		RMG	
		CHECKED	REVISED
		LRB	

STATE OF ILLINOIS  
DEPARTMENT OF TRANSPORTATION

M.P. 37.71 BELVIDERE SUBDIVISION - STRUCTURE NO. 045-3168  
CONSTRUCTION STAGING - STAGES 1B AND 1C

F.A.P. RATE	SECTION	COUNTY	TOTAL SHEETS	SHEET NO.
361	05-00214-18-RP	KANE	45	275
CONTRACT NO. 63598			ILLINOIS' FED. AID PROJECT	

SHEET NO. UP-15 OF UP-52 SHEETS

X:\100005\10074\Engineering\Documents\Phase 1\NSN\_045\_3168\UPRR-Bridge\PLANS\Permit.BIB.Const.Stage2.3.dgn 3/12/2012 3:12:26 PM