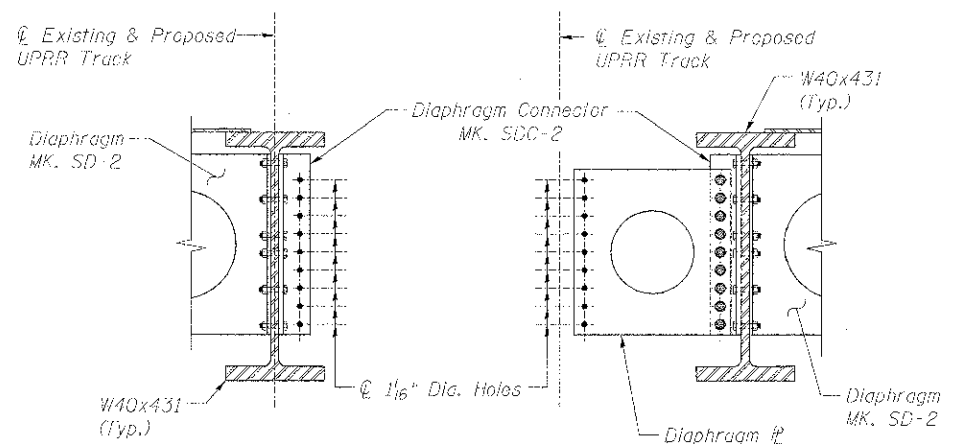


**SECTION - UNIT 2**  
(Shown through Span 2 & 3  
Span 1 and 4 similar)

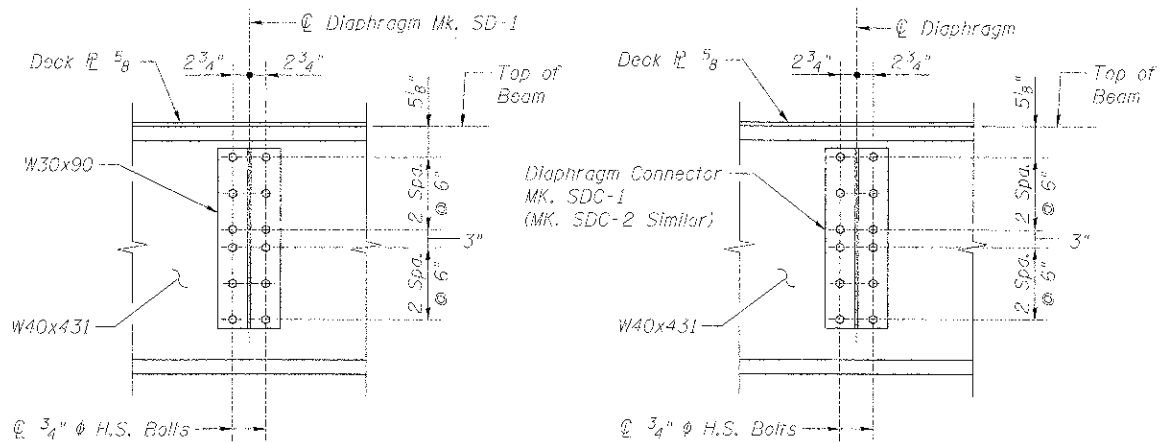
**SECTION - UNIT 1**  
(Shown through Span 2 & 3,  
Span 1 and 4 similar)



**AT END DIAPHRAGM**  
(Partial Section Shown)

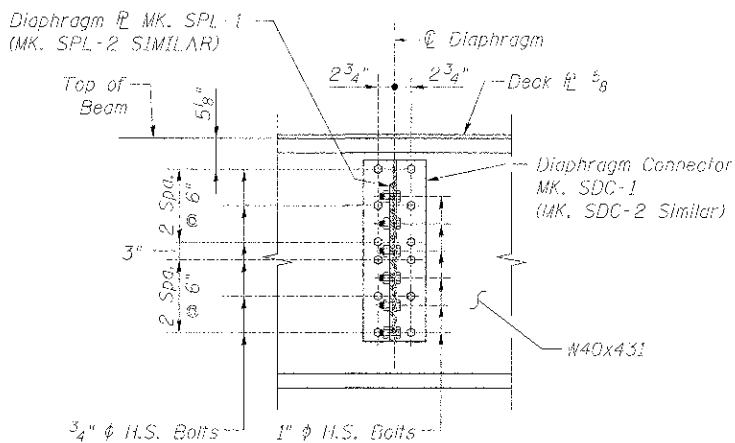
**TABLE 1**

Beam Size	EDGE DECK PLATE TO EDGE OF BEAM	
	Unit 1	Unit 2
W36x150	E1	E2
W40x431	9 7/8"	10"
	11 5/16"	1'-0 1/2"

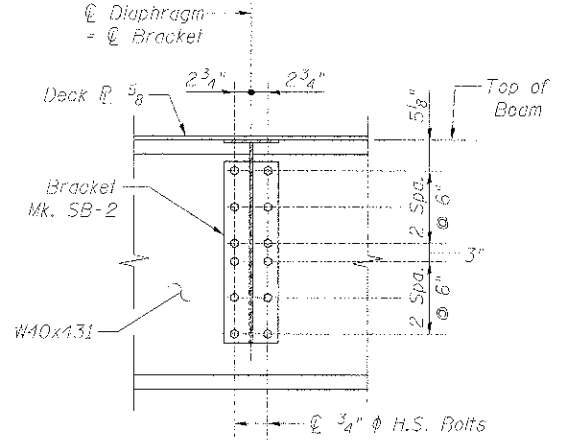


**SECTION A-A**

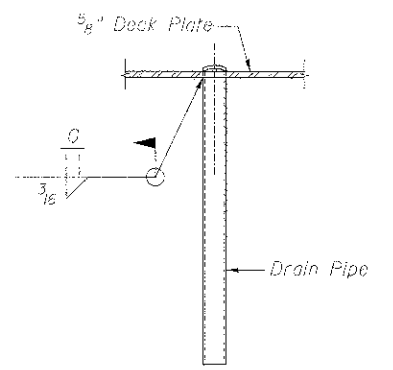
**SECTION B-B**



**SECTION C-C**



**SECTION D-D**



**DRAIN PIPE DETAIL**

**benesch**  
engineers · scientists · planners  
Alfred Benesch & Company  
205 North Michigan Avenue, Suite 2400  
Chicago, Illinois 60601  
312-585-0450 Job No. 10074

FILE NAME =	USER NAME =	DESIGNED = JLS	REVISED =
Form Br. 026.Assembly Details_2.dgn		CHECKED = LRB	REVISED =
	PL01 SCALE =	DRAWN = RK	REVISED =
	PL01 DATE = 12/13/2012	CHECKED = LRB	REVISED =

**STATE OF ILLINOIS**  
**DEPARTMENT OF TRANSPORTATION**

**M.P. 37.71 BELVIDERE SUBDIVISION - STRUCTURE NO. 045-3168**  
**ASSEMBLY DETAILS (2 OF 2)**

SHEET NO. UP-26 OF UP-52 SHEETS

F.A.P. P.T.E.	SECTION	COUNTY	TOTAL SHEETS	SHEET NO.
361	06-00214-18-RP	KANE	451	256
			CONTRACT NO. 63598	

ILLINOIS FED. AID PROJECT

X:\1000085\10074\Engineering\Documents\Phase 1\NSN-045-3168-UPRR-Bridge\PLANS\Param.Br.026.Assembly Details\_2.dgn 3/12/11 PM 12/13/2012