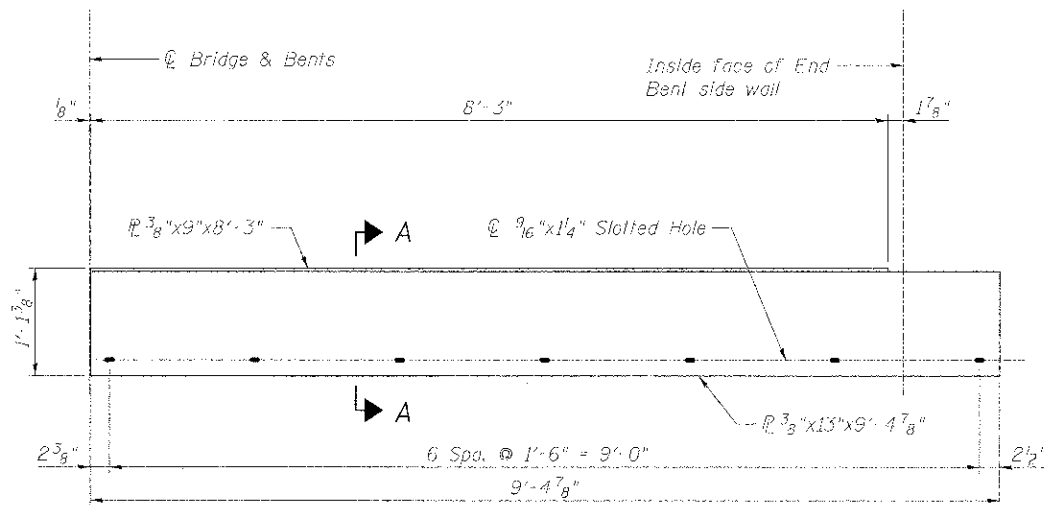


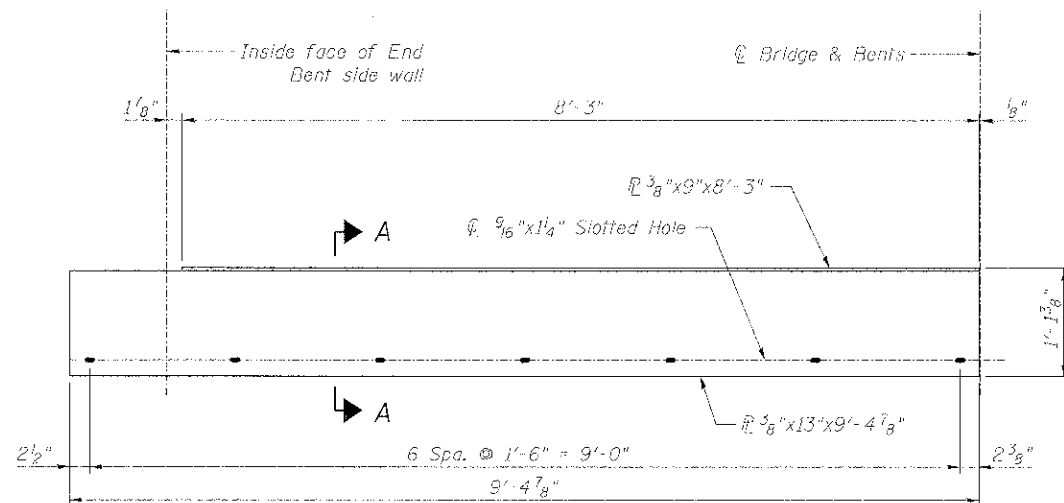
COVER PLATE MK. SCP-1

10 Req'd
Est. Wt. = 202 lbs. Each



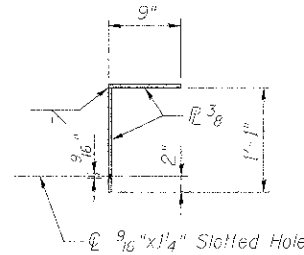
BACKWALL PLATE MK. BWP-1L

2 Req'd
Est. Wt. = 251 lbs. Each

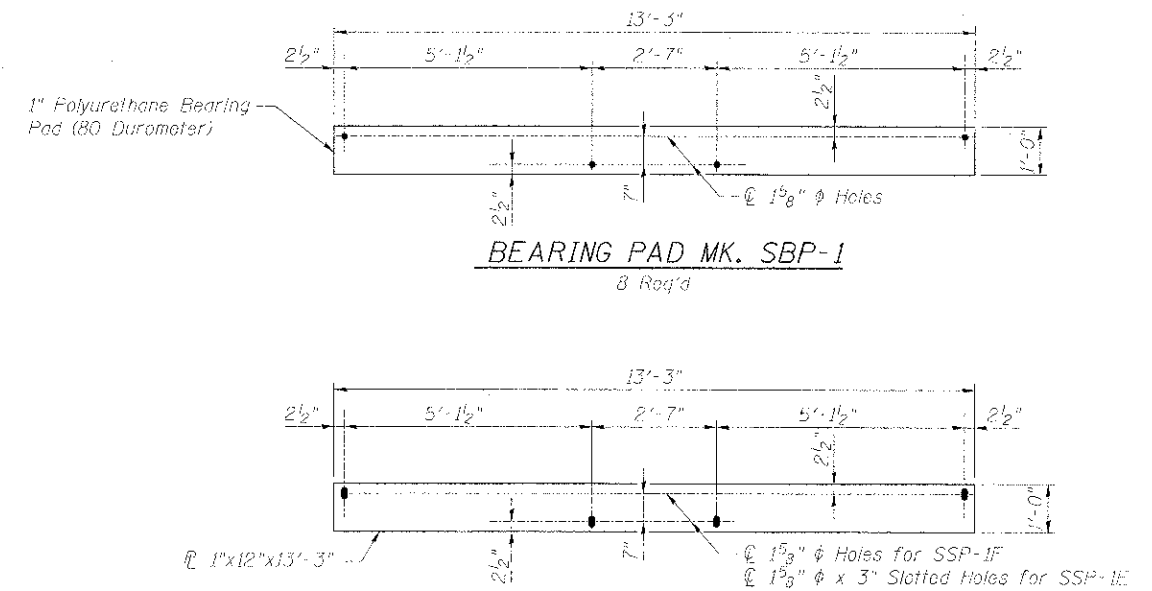


BACKWALL PLATE MK. BWP-1R

2 Req'd
Est. Wt. = 251 lbs. Each

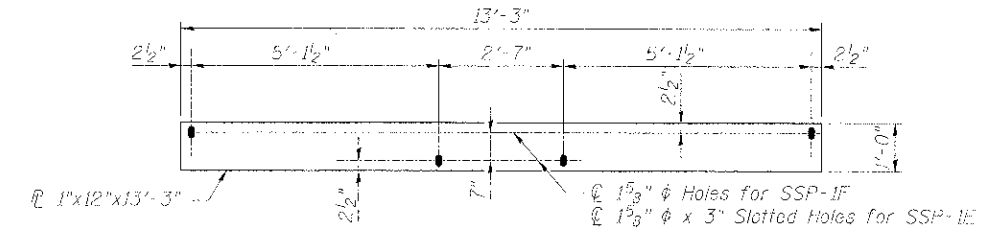


SECTION A-A



BEARING PAD MK. SBP-1

8 Req'd



SOLE PLATES MK. SSP-1E & SSP-1F

MK. SSP-1E Shown 4 Req'd
MK. SSP-1F 4 Req'd
Est. Wt. = 541 lbs. Each

NOTES:

1. For Steel Material Specification, see Structural Steel Notes Sheet UP-3.
2. For Bearings Pad Material Specification, see Miscellaneous Material Notes Sheet UP-3.



Alfred Benesch & Company
205 North Michigan Avenue, Suite 2400
Chicago, Illinois 60601
312-565-0450 Job No. 10074

FILE NAME =	USER NAME =	DESIGNED =	REVISED =
Perm.Br.029.Steel.Details.2.dgn	prgram	JLS	-
		CHECKED =	REVISED =
		LRR	-
		DRAWN =	REVISED =
		RMG	-
		CHECKED =	REVISED =
		LRB	-

**STATE OF ILLINOIS
DEPARTMENT OF TRANSPORTATION**

**M.P. 37.71 BELVIDERE SUBDIVISION - STRUCTURE NO. 045-3168
STRUCTURAL STEEL DETAILS (2 OF 2)**

DATE:	SECTION:	COUNTY:	TOTAL SHEETS:	SHEET NO.:
3/6/12	06-00214-18-RP	KANE	451	288
			CONTRACT NO. 63598	

SHEET NO. UP-28 OF LP-52 SHEETS

ILLINOIS FED. AID PROJECT

X:\1000005\10074\Engineering\Documents\Phase 1\TNSN.045.3168.LP-RR-Bridge\PLANS\Ferm.Br.029.Steel.Details.2.dgn 3/12/12 3:12:43 PM 12/13/2012