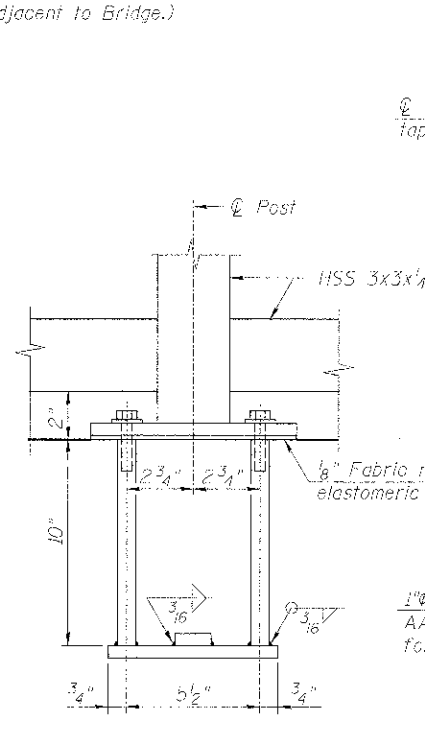
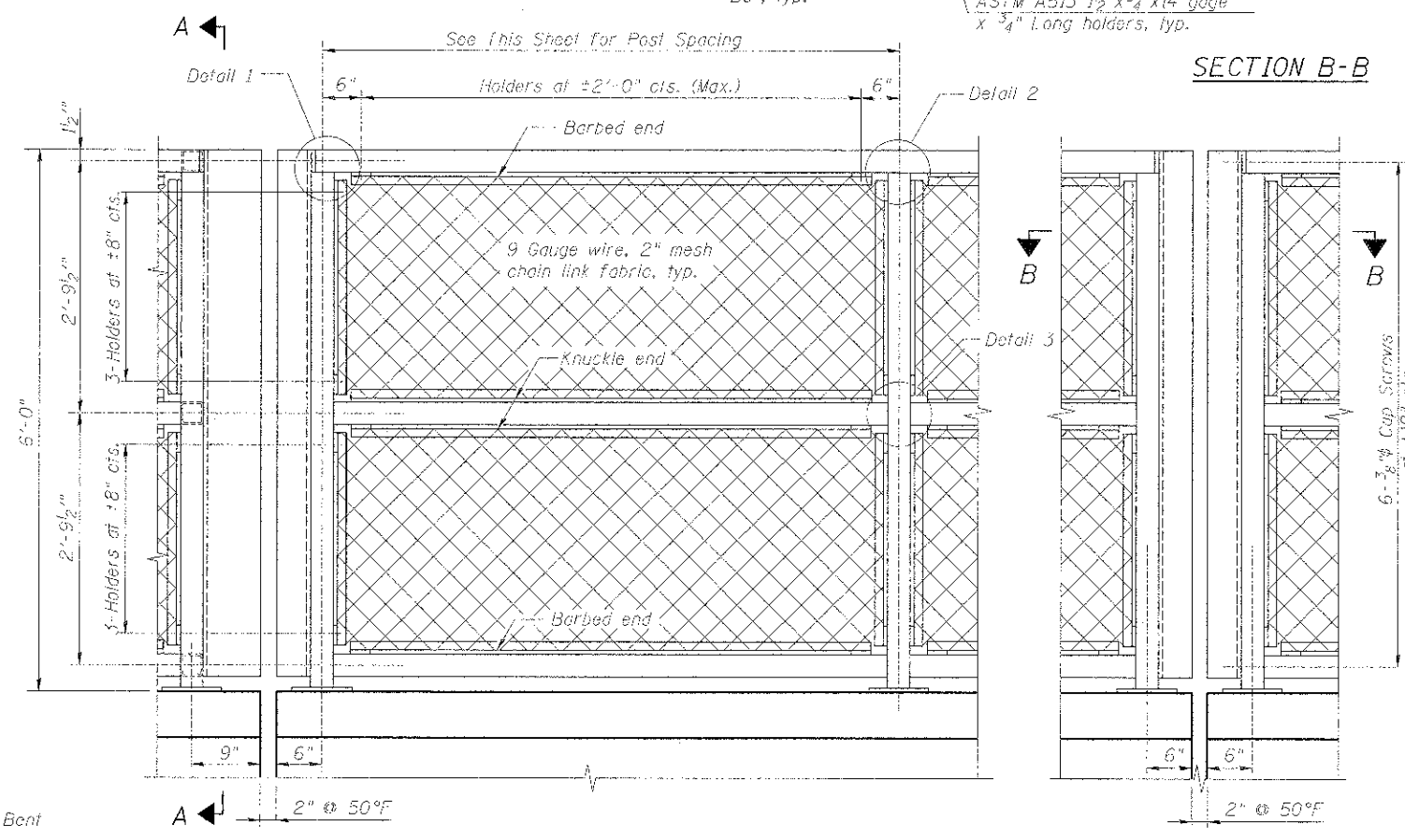
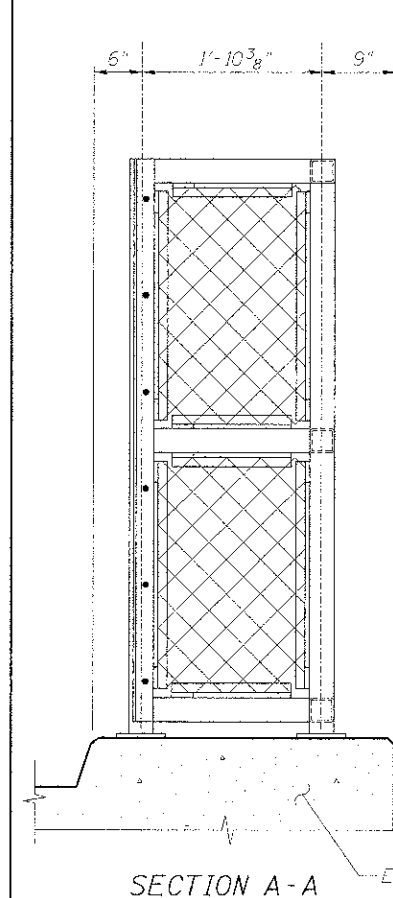
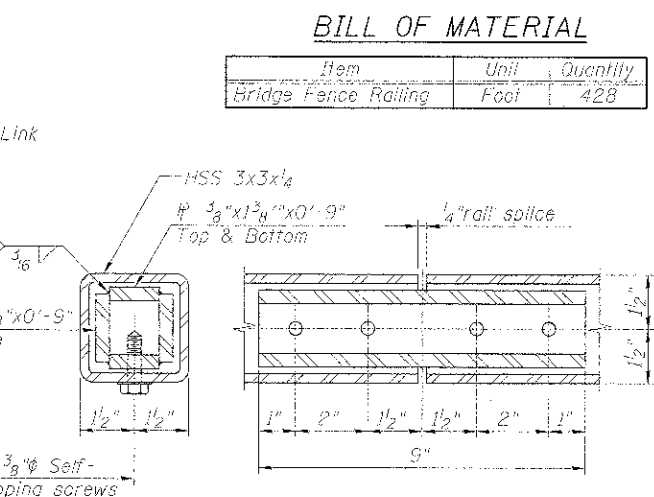
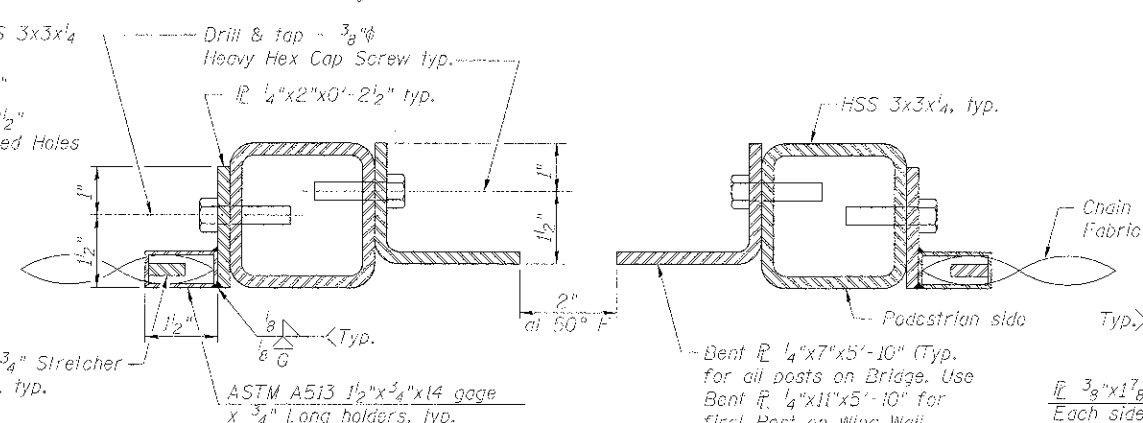
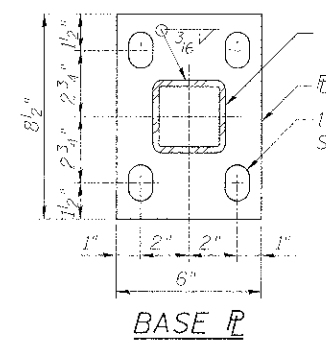
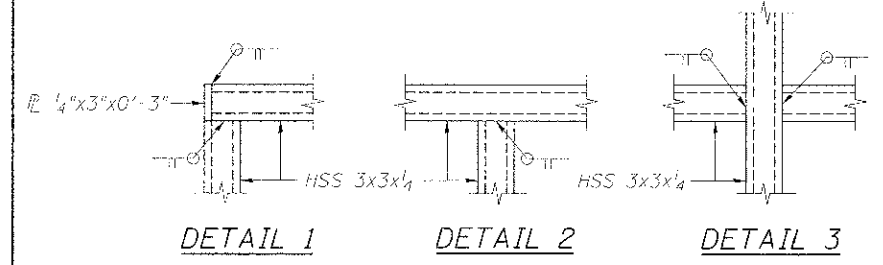


**CHAIN LINK FENCE ELEVATION**  
 (West Fence shown, looking East)  
 (East Fence similar, looking West)

**NOTE:**  
 All steel rail elements shall be galvanized according to Article 509.05 of the Standard Specifications.

**BILL OF MATERIAL**

Item	Unit	Quantity
Bridge Fence Railing	Foot	428



**ANCHOR BOLT DETAILS**

Note:  
 In lieu of the cast-in-place anchor device shown, the Contractor has the option of drilling and setting 3/8" anchor rods according to Article 509.06 of the Standard Specifications. Embedment shall be according to the manufacturer's specifications.

**benesch**  
 engineers - scientists - planners  
 Alfred Benesch & Company  
 205 North Michigan Avenue, Suite 2400  
 Chicago, Illinois 60601  
 312-565-0450 Job No. 10074

**ELEVATION**  
 (Pedestrian Side)

**STATE OF ILLINOIS**  
**DEPARTMENT OF TRANSPORTATION**

**M.P. 37.71 BELVIDERE SUBDIVISION - STRUCTURE NO. 045-3168**  
**BRIDGE FENCE RAILING DETAILS**

F.A.P. RTE.	SECTION	COUNTY	TOTAL SHEETS	SHEET NO.
361	06-00214-18-RP	KANE	451	290
				CONTRACT NO. 63598

FILE NAME	USER NAME	DESIGNED	REVISOR
Purn:Br-038.Chain.Link.Fence_Details.dgn	rgamm	JLS	-
PLGT SCALE		LRB	
PLCT DATE	12/13/2012	RMG	
		LRB	

SHEET NO. UP-30 OF UP-52 SHEETS

ILLINOIS FED. AID PROJECT

X:\1000005\10274\Engineering\Documents\Phase-1\SW-045-3168-UPRR\_Bridge\PLANS\Perm-Br-038.Chain.Link.Fence\_Details.dgn  
 3:12:46 PM  
 12/13/2012