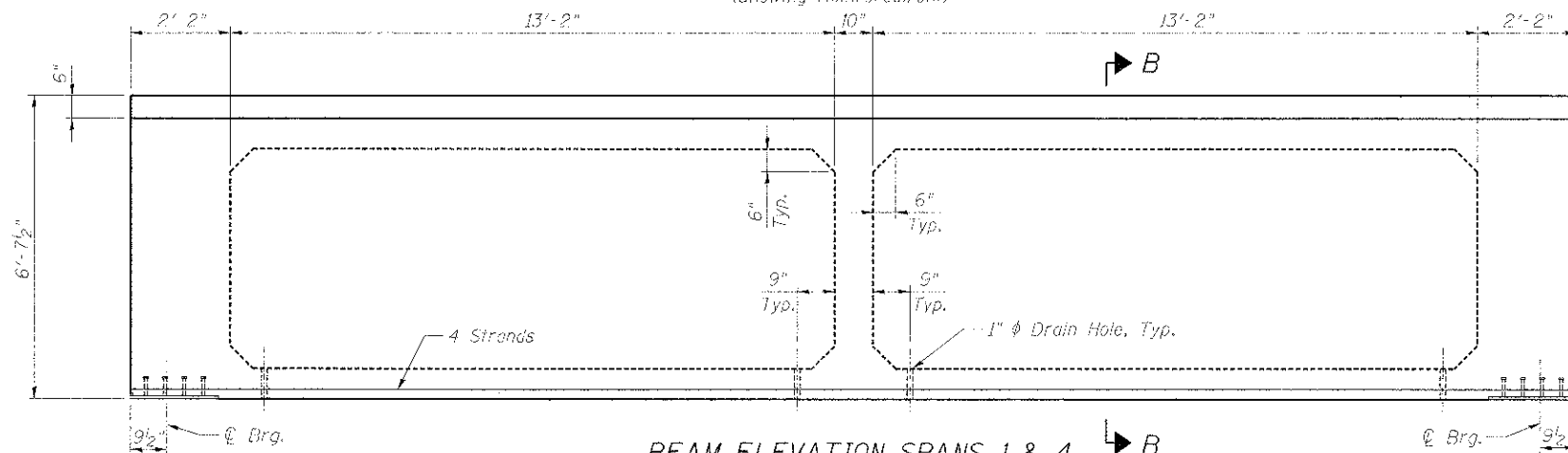
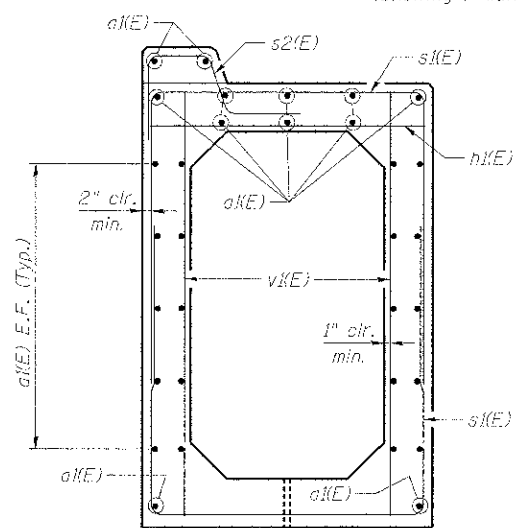


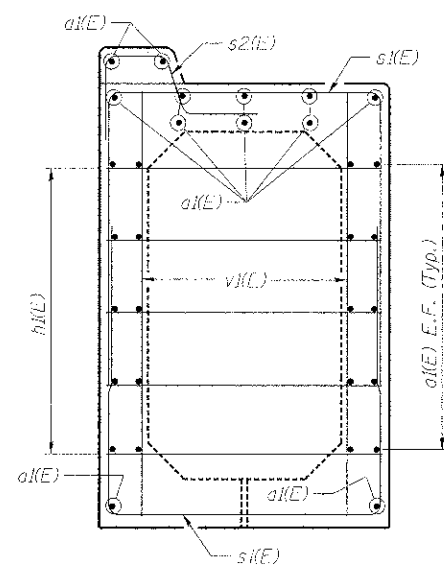
BEAM ELEVATION (Showing Reinforcement)



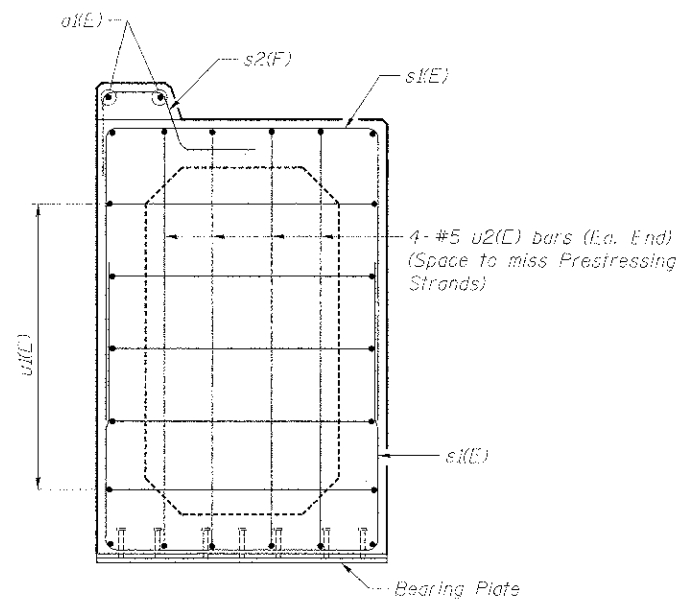
BEAM ELEVATION SPANS 1 & 4 (Showing Prestressing Strands)



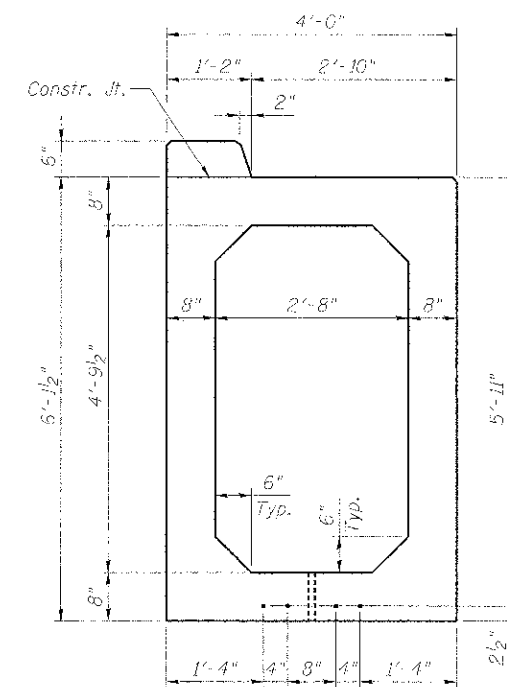
SECTION C-C



SECTION D-D



VIEW A-A



SECTION B-B

BILL OF MATERIAL\*

ITEM	UNIT	TOTAL
Precast Concrete Box Segments	Foot	126

\*For Information Only

NOTES:

1. Required release strength, f'ci, shall be 5,000 psi.
2. Required final strength, f'c, shall be 6,000 psi.
3. All prestressing strands are straight.
4. For Fascia Beam Bearing Detail, see Sheet UP-33.
5. For Fence Post Anchorage details, see Sheet UP-30.
6. See Sheet UP-33 for additional notes.
7. Lifting Devices, see UP-2, note 15 under "Precast Concrete Notes".

\*\*\*BAR LIST ONE BEAM ONLY

Bar	No.	Size	Length	Shape
a1(E)	32	#5	31'-2"	
h1(E)	36	#5	3'-8"	
s1(E)	72	#5	13'-2"	
s2(E)	36	#5	3'-8"	
u1(E)	10	#5	5'-2"	
u2(E)	8	#5	9'-8"	
v1(E)	56	#5	5'-8"	

\*\*\*For Information Only (Lifting weight = 12,500 lbs.)

Alfred Benesch & Company  
 205 North Michigan Avenue, Suite 2400  
 Chicago, Illinois 60601  
 312-565-0450 Job No. 10074

STATE OF ILLINOIS  
 DEPARTMENT OF TRANSPORTATION

M.P. 37.71 BELVIDERE SUBDIVISION - STRUCTURE NO. 045-3168  
 FASCIA BEAM DETAILS (1 OF 3)

F.A.P. RTE.	SECTION	COUNTY	TOTAL SHEETS	SHEET NO.
361	06-00214-18-PP	KANE	451	29

CONTRACT NO. 63598  
 ILLINOIS FED. AID PROJECT

FILE NAME	USER NAME	DESIGNED	REVISD
Perm.Br_031.Fascia_Beam_Details(1).ldgn	ngm	JLS	-
		LRB	-
		RMG	-
		LRB	-

PL01 SCALE  
 PLOT DATE = 12/13/2012

SHEET NO. UP-31 OF UP-52 SHEETS



X:\100005\10074\Engineer\mg.Documents\Phase 1\SNL\045\_3168\UPRR\_Bridge\PLANS\Perm.Br\_031.Fascia\_Beam\_Details(1).ldgn

31:2:47 PM

12/13/2012