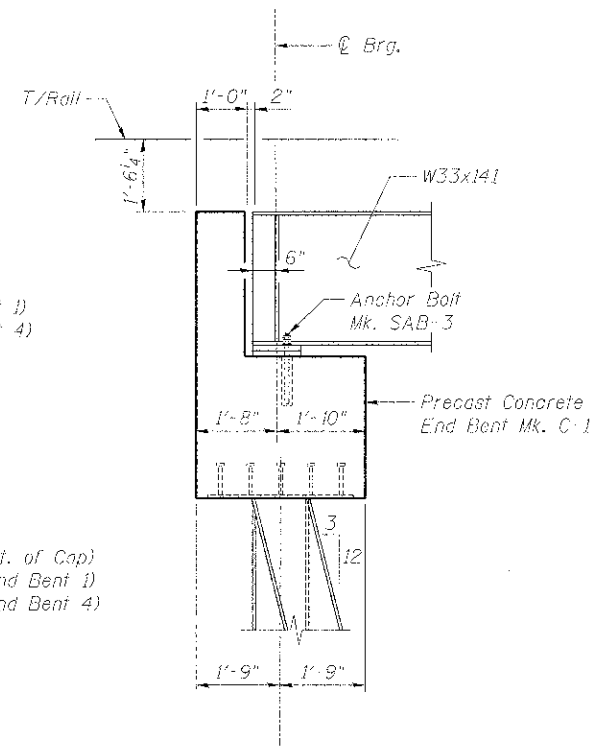
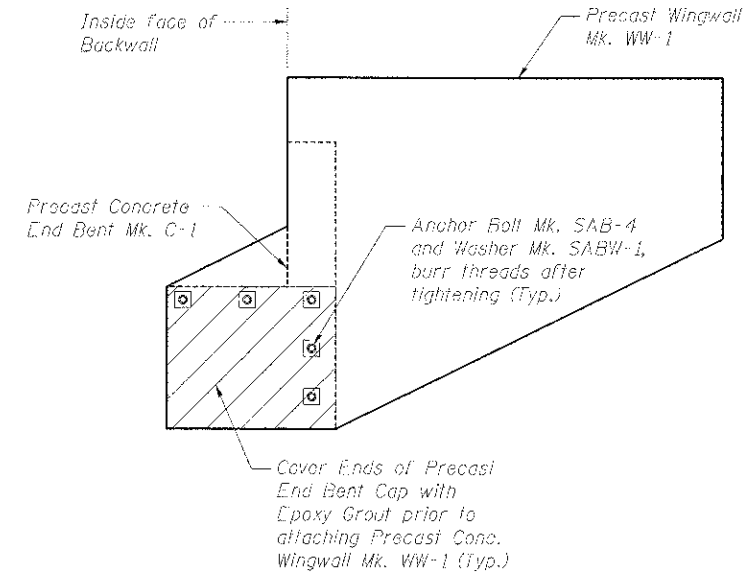


ELEVATION AT END BENT 4
(End Bent 1 similar)



SECTION A-A



VIEW B-B

- NOTES:**
1. For Precast Concrete End Bent details see sheet UP-43.
 2. T/Rail to T/Tie = 8 1/4". Dimension includes 7 5/16" height for 136 lb. rail and a 1 5/16" tie plate.

benesch
engineers · scientists · planners

Alfred Benesch & Company
205 North Michigan Avenue, Suite 2400
Chicago, Illinois 60601
312-585-0450 Job No. 10074

FILE NAME *	USER NAME *	DESIGNED *	REVISED *
Temp.Br.-203.Typ.Sections.dgn	graham	JLS	-
		CHECKED *	LRB
		REVISIONS	
		DRAWN *	RMG
		CHECKED *	LRB
		REVISIONS	
		PLOT DATE *	12/13/2012

STATE OF ILLINOIS
DEPARTMENT OF TRANSPORTATION

M.P. 37.71 BELVIDERE SUBDIVISION - TEMPORARY BRIDGE
END BENT DETAILS

SHEET NO. UP-36 OF UP-52 SHEETS

F.A.P. RT#	SECTION	COUNTY	TOTAL SHEETS	SHEET NO.
361	06-00214-18-RP	KANE	451	296
CONTRACT NO. 63598				

X:\160005\10074\Engineering\Documents\Phase-1\NSN_045_3168_LPFR-Bridge\PLANS\Temp.Br.-003_Typ.Sections.dgn 3:25:33 PM 12/13/2012