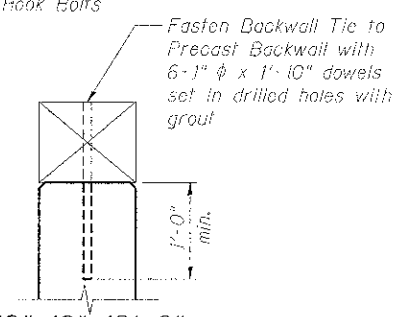
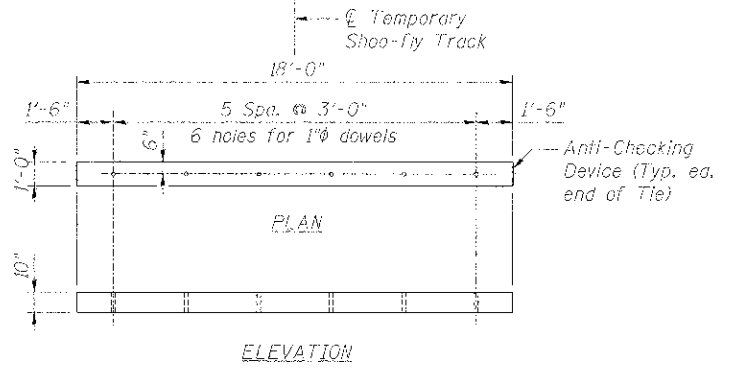


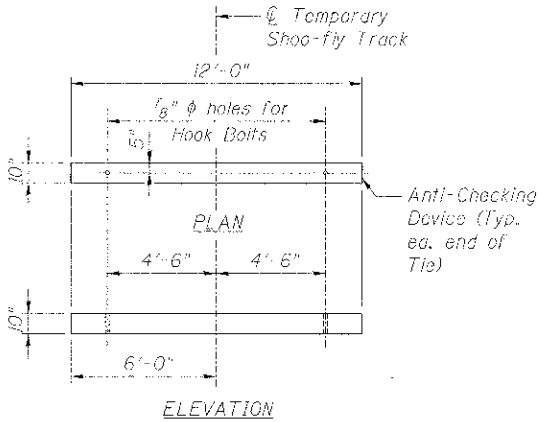
DECK PLAN



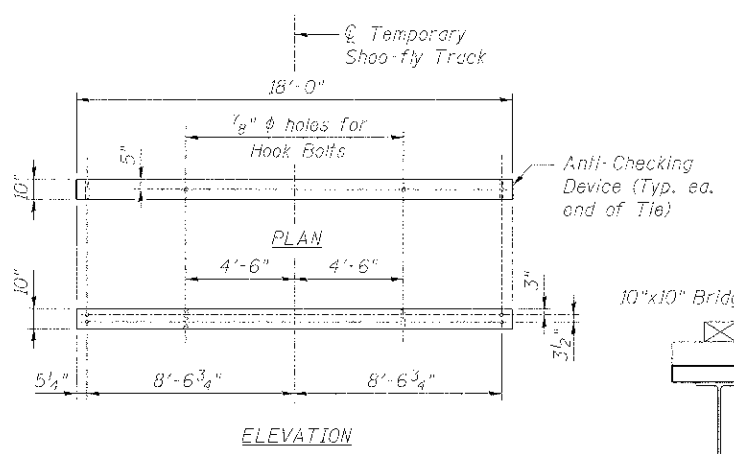
BACKWALL TIE ANCHORAGE



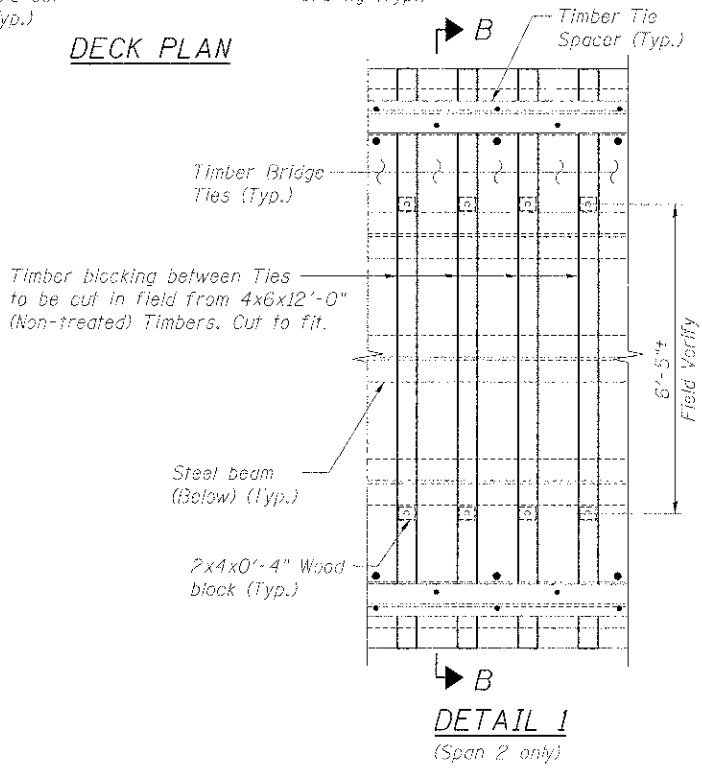
12"x10"x18'-0" BACKWALL TIE DETAIL



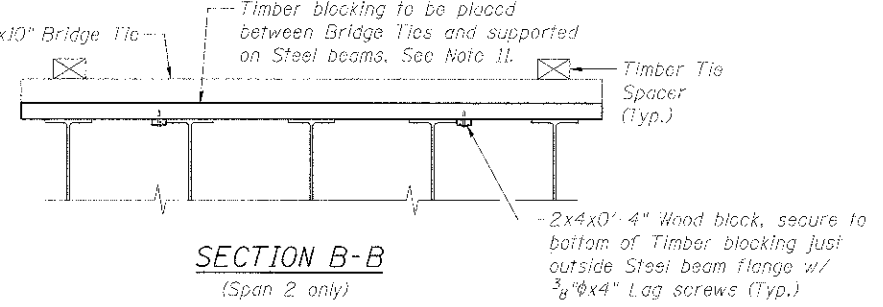
10"x10"x12'-0" TIE DETAIL



10"x10"x18'-0" TIE DETAIL



DETAIL 1
(Span 2 only)



SECTION B-B
(Span 2 only)

NOTES:

1. Field verify all dimensions, stations and elevations prior to start of construction.
2. Bridge ties and timber tie spacers to be produced from Softwood Species, West Coast Douglas Fir Select Structural or Southern Pine No. 1 Dense.
3. Timber to be well seasoned and conditioned. Timber to be pressure treated per AREMA specifications.
4. All bridge ties and timber tie spacers shall have anti-checking devices installed at each end.
5. All ties shall be bundled in groups of no more than 16 ties.
6. All holes for hook bolts to be pre-drilled.
7. Field holes, abrasions and cuts shall be treated with a preservative that meets the specifications of the American Wood-Preserver's Association. Treatment shall follow AWP Standard M4-06.
8. Ties, rail and OTM to be provided by the Contractor. Additional material required and not listed in the Bill of Material to be provided by the Contractor.
9. Walkway grating shall be Type W/B as manufactured by IKG Barden, or approved equal, with 1 3/4" x 3/16" serrated bearing bars.
10. Use 8 cut spikes for all ties per UPRR Standards Drawing 0453B, Pattern 2 (Cut spikes for inside guardrail not included).
11. Timber blocking to be installed between Timber Ties, (Span 2 only), to prevent material from dropping thru deck to roadway below. Timber blocking to be cut to fit in field. Secure 2x4 Wood block to bottom of Timber Blocking prior to installing Blocking.

benesch
engineers · scientists · planners

Alfred Benesch & Company
205 North Michigan Avenue, Suite 2400
Chicago, Illinois 60601
312-565-0450 Job No. 10074

FILE NAME -	USER NAME = rgr/mm	DESIGNED - JLS	REVISED -
Temp.Br..005.Deck.Plan.dgn		CHECKED - LRB	REVISED -
	PLOT SCALE =	DRAWN - RMG	REVISED -
	PLOT DATE = 12/13/2012	CHECKED - LRB	REVISED -

STATE OF ILLINOIS
DEPARTMENT OF TRANSPORTATION

M.P. 37.71 BELVIDERE SUBDIVISION - TEMPORARY BRIDGE
DECK PLAN

SHEET NO. UP-38 OF UP-52 SHEETS

F.A.P. R.T.E. 361	SECTION 08-00214-18-RP	COUNTY KANE	TOTAL SHEETS 451	SHEET NO. 298
ILLINOIS FED. AID PROJECT			CONTRACT NO. 63598	

X:\100005\10074\Engineering\Documents\Phase_1\IN\N\045_3168_3\PRR\Bridge\PLANS\Temp.Br..005_Deck.Plan.dgn 3/12/12 5:56 PM 12/13/2012