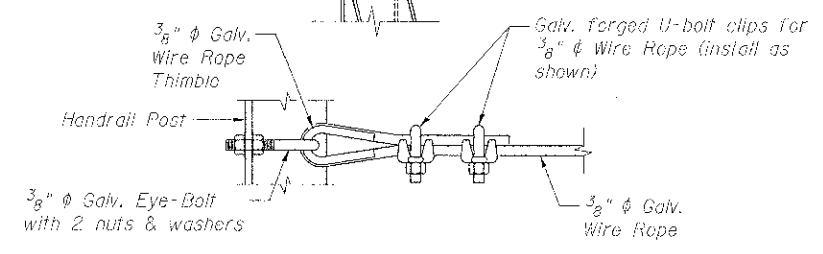


VIEW A-A

TIMBER DECK & WALKWAY SCHEDULE

REQ'D	UNIT	DESCRIPTION
2	EA.	12"x10"x 18'-0" Backwall Ties, Treated, (per detail)
72	EA.	10"x10"x 12'-0" Bridge Ties, Treated, (per detail)
19	EA.	10"x10"x 18'-0" Bridge Ties, Treated, (per detail)
14	EA.	5"x8"x 16'-0" Timber Tie Spacer
36	EA.	Timber Blocking 4"x6"x12'-0"
72	EA.	Wood Block 2"x4"x0'-4"
13	EA.	Handrail Post Mk. HP-T1R (Per detail)
13	EA.	Handrail Post Mk. HP-T1L (Per detail)
2	EA.	Handrail Post Mk. HP-30R (Per detail)
2	EA.	Handrail Post Mk. HP-30L (Per detail)
2	EA.	Brace Mk. B-20R (Per detail)
2	EA.	Brace Mk. B-20L (Per detail)
4	EA.	Handrail Post Strut Mk. HPS-1 (Per detail)
470	FEET	3/8" Nominal Diameter Wire Rope, 7 wire, galv. steel strand, Siemens Martins Grade, A-coating
16	EA.	Galv. Malleable Iron U-bolt Clips w/ 2 elastic locknuts (MIL-N-25027), zinc plated, for 3/8" dia. Wire Ropes
52	EA.	Galv. Malleable Iron U-bolts w/ 2 elastic locknuts (MIL-N-25027), zinc plated, for 3/4" dia. Wire Ropes
8	EA.	3/8" Galv. Eye-Bolt with 2 nuts & 2 washers
8	EA.	3/8" Galv. Wire Rope Thimble for 3/8" dia. Wire Rope
8	EA.	3/4" Galv. Eye-Bolt with 2 nuts & 2 washers
4	EA.	3/4" x 2" A325 H.S. Bolt, Type 1 w/ Heavy Hex Nut (A563, lubricated) and flat circular washer (F436), each component hot dip or mechanically zinc coated
60	EA.	3/4" x 12" A307 Heavy Hex Grade A Bolt, w/ elastic locknut (MIL-N-25027) & 2 - flat circular washer (F436), each component hot dip or mechanically zinc coated
30	EA.	1/2" x 6" lag screw and flat circular washer, each component hot dip or mechanically zinc coated
182	EA.	3/4" x 10" washer head timber drive spike
104	EA.	5/8" x 8" dome head drive spike (AREMA spec) (Galv.)
106	EA.	3/4" x 15" hook bolt w/ 3" thread
106	EA.	#10 malleable washer for 3/4" dia. bolt
106	EA.	3/4" #10 security locknut part SH 515
1	KEG	Spikes for wood ties per UPRR Standards Drawing No. 0451
1	LOT	1 1/2" x 15" W8 Serrated Walkway Grating (per schedule, this sheet)
72	EA.	3/8" x 4" Lag Screws
12	EA.	1" x 1" 10" Steel Dowels



CABLE END INSTALLATION DETAIL

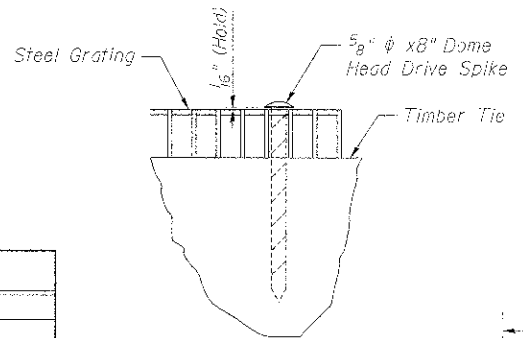
CABLE INSTALLATION INSTRUCTIONS (PER SPAN)

1. Prior to installing cable, make sure all Handrails Posts, Braces and Struts are installed with connections complete.
2. Thread Cable through all U-bolt clips and secure at End Posts. (Do not stretch)
3. Hang a minimum of 15 lbs. on cable between 2 Posts near mid-span, Span 2, and stretch cable to remove sag. Allow 2" max. sag to remain.
4. Tighten U-bolt clips and Eye Bolts at End Posts.
5. Remove hanging weight(s).
6. Tighten U-bolt clips at intermediate Handrail Posts.

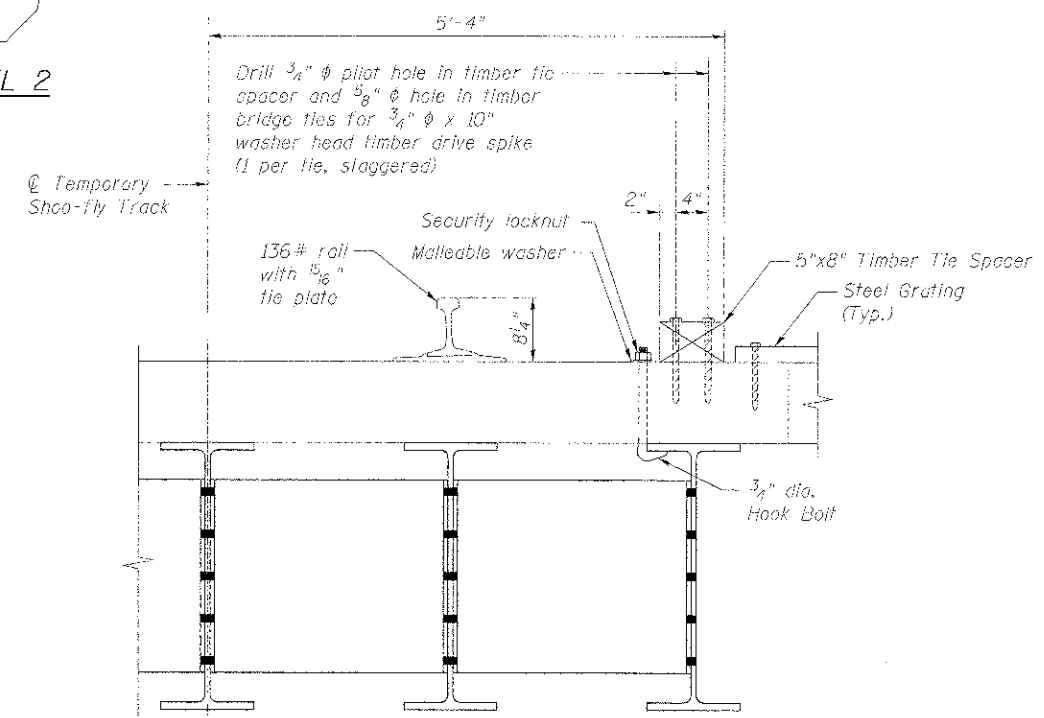
WALKWAY GRATING SCHEDULE

REQ'D	UNIT	DESCRIPTION
4	EA.	Welded Steel Grating (1 1/4" x 3/16" serrated bars) 34" wide x 7'-11" long (galvanized)
4	EA.	Welded Steel Grating (1 1/4" x 3/16" serrated bars) 34" wide x 9'-2" long (galvanized)
4	EA.	Welded Steel Grating (1 1/4" x 3/16" serrated bars) 34" wide x 9'-9" long (galvanized)
8	EA.	Welded Steel Grating (1 1/4" x 3/16" serrated bars) 34" wide x 15'-0" long (galvanized)

Estimated weight of walkway grating = 8,150 lb.



DETAIL 2



DETAIL 2

- NOTES:
1. See sheet UP-40 for Handrail Details.
 2. Install miscellaneous timber under ends of grating as required (Typ.).

benesch
engineers · scientists · planners

Alfred Benesch & Company
205 North Michigan Avenue, Suite 2400
Chicago, Illinois 60601
312-565-0450 Job No. 10074

FILE NAME =	USER NAME =	DESIGNED =	REVISED
Temp. Br. 006_Deck_Section.dgn	regisram	JLS	
	PLOT SCALE =	CHECKED =	REVISED =
		LRB	
	PLOT DATE =	DRAWN =	REVISED =
	12/13/2012	RMG	
		CHECKED =	REVISED =
		LRB	

STATE OF ILLINOIS
DEPARTMENT OF TRANSPORTATION

M.P. 37.71 BELVIDERE SUBDIVISION - TEMPORARY BRIDGE
DECK SECTIONS, DETAILS AND MATERIAL SCHEDULE

F.A.P. NO. =	SECTION	COUNTY	TOTAL SHEETS
361	C6-00214-18-RP	KANE	451
			299
			CONTRACT NO. 63598

SHEET NO. UP-39 OF UP-52 SHEETS

ILLINOIS FED. AID PROJECT

X:\1002025\10274\Engineering\Documents\Phase_1\15N_045_3168_UPRR_Bridge\PLANS\Temp_Br_006_Deck_Section.dgn 3/12/17 PM 12/13/2012