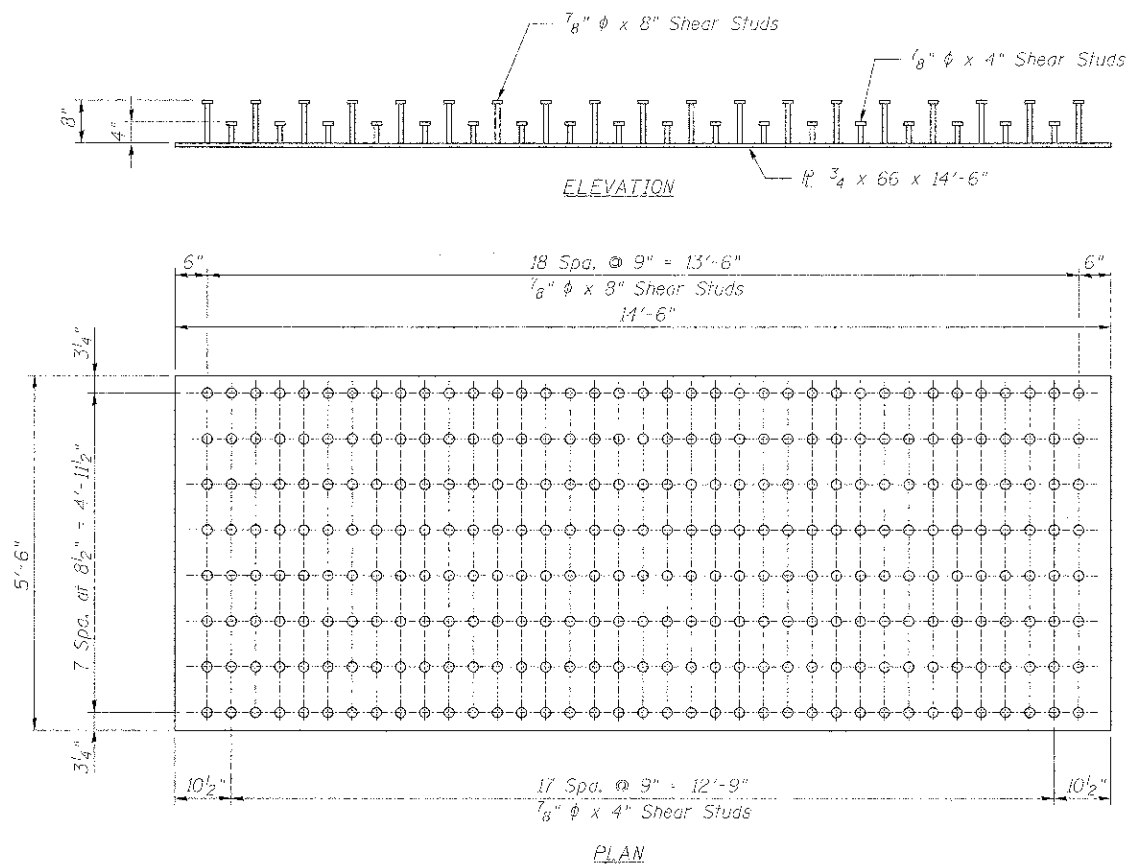


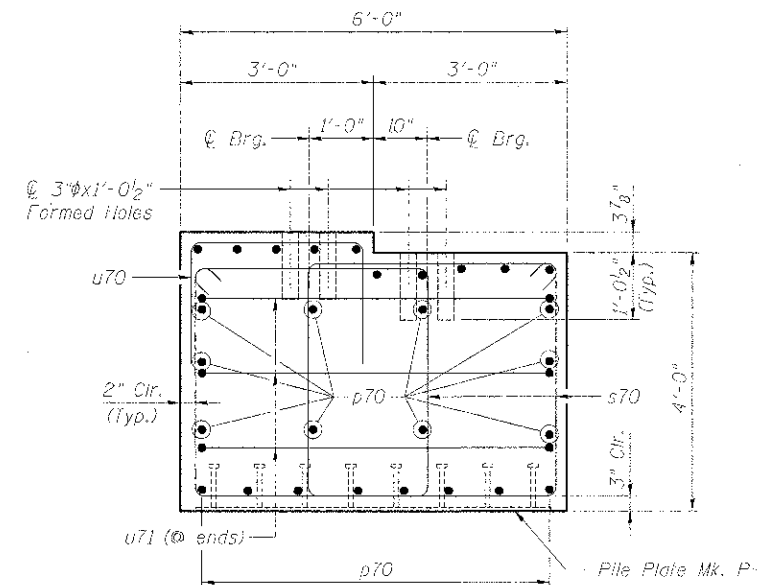
**PLAN - PRECAST BENT CAP MK. C-2**

Estimated Wt. = 28.5 Tons  
(2 Required)



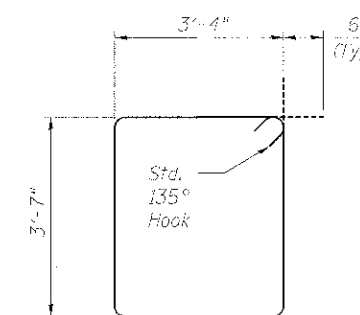
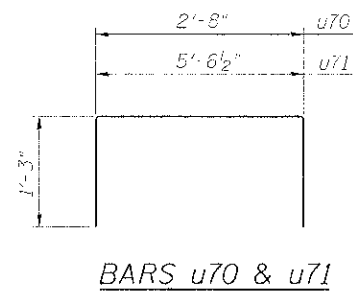
**PILE PLATE MK. P-2**

Est. Weight = 2780 lbs.  
(2 Required)



**SECTION THRU BENT CAP**

To West Chicago  
Bent 3  
To West Chicago  
Bent 2



FOR ONE MK. C-2

Bar	No.	Size	Length	Shape
p70	28	#6	14'-6"	—
s70	32	#5	14'-10"	□
u70	16	#6	5'-2"	┌
u71	6	#5	8'-0"	└
Precast Concrete Structures			Cu. Yd.	13.9
Reinforcement Bars			Pound	1,280
Pile Plate Mk. P-2			Pound	2,780

All bar dimensions shown are out to out of bars.

**BILL OF MATERIAL \***

ITEM	UNIT	TOTAL
Precast Bent Cap Mk. C-2	Ea.	2
Reinforcing Steel (Per Schedule, this sheet)	Lbs.	2
Pile Plate Mk. P-2	Ea.	2

\*For Information Only,  
items are included in cost  
of "Temporary Bridge".

**NOTES:**

- The Fabricator will be responsible for the design of the Lifting Loops or Lift Anchors for the erection of the precast members. Required details to be coordinated with the Contractor and approved by the Engineer.
- E.F. denotes Each Face.
- Pile Plate shall be A.S.T.M. A36 steel.

**benesch**  
engineers • scientists • planners  
Alfred Benesch & Company  
205 North Michigan Avenue, Suite 2400  
Chicago, Illinois 60601  
312-565-0450 Job No. 10074

FILE NAME =	USER NAME = rgrimm	DESIGNED - JLS	REVISED -
Temp. Br. W2_Pier_Cap.dgn		CHECKED - LRB	REVISED -
		DRAWN - RMG	REVISED -
		CHECKED - LRB	REVISED -

STATE OF ILLINOIS  
DEPARTMENT OF TRANSPORTATION

M.P. 37.71 BELVIDERE SUBDIVISION - TEMPORARY BRIDGE  
PRECAST BENT CAP DETAILS

SHEET NO. UP-45 OF UP-52 SHEETS

F.A.P. RTE.	SECTION	COUNTY	TOTAL SHEETS	SHEET NO.
361	06-00214-18-RP	KANE	451	305
ILLINOIS FED. AID PROJECT			CONTRACT NO. 63596	