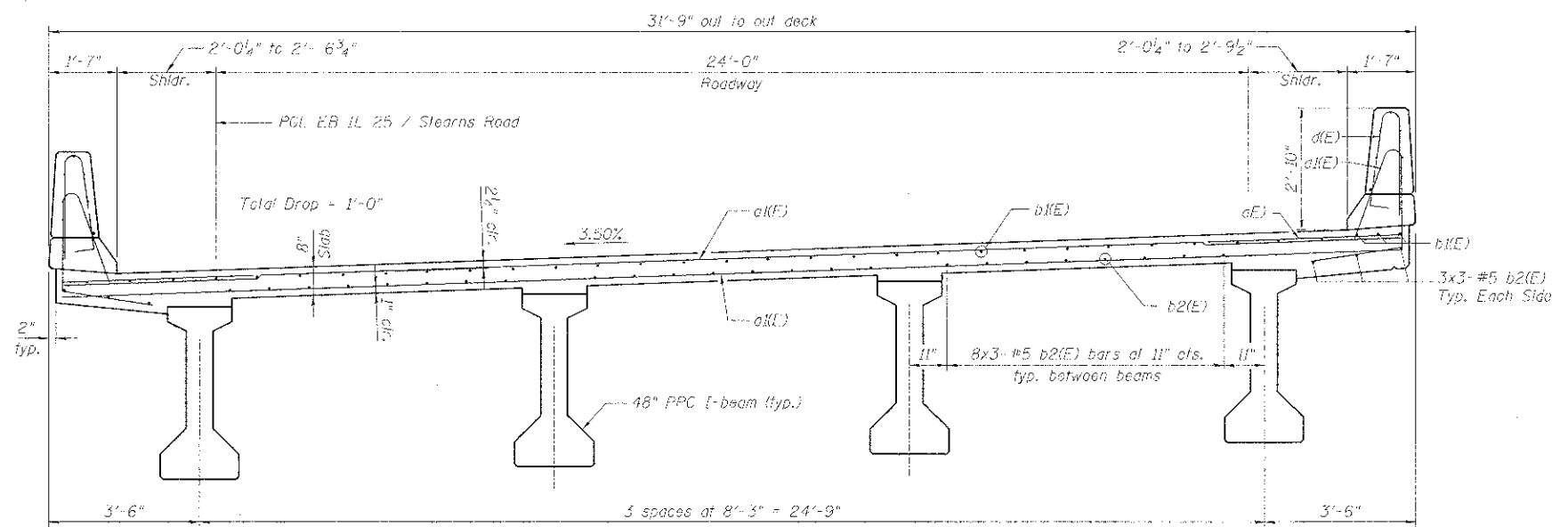


PLAN

\* Order a1(E) bars full length.  
Cut to fit skew and use remainder of bars  
in opposite end.



DECK CROSS SECTION  
(Looking East)

MINIMUM BAR LAP

#5 bar = 3'-3"

NOTES:

1. See sheet SB9 for superstructure details and Bill of Material.
2. For Section A, A and diaphragm details see sheet SB0.
3. Bars indicated thus 20 x 3-#5 etc. indicates 20 lines of bars with 3 lengths per line.
4. See sheet SB9 for parapet reinforcement.

**benesch**  
engineers · scientists · planners

Alfred Benesch & Company  
205 North Michigan Avenue, Suite 2400  
Chicago, Illinois 60601  
312-665-0450 Job No. 10074

FILE NAME =	USER NAME = engrmm	DESIGNED = RJT	REVISED =
2452033-007-dkpln.xs.dgn		CHECKED = AJK	REVISED =
	PLOT SCALE =	DRAWN = RMC	REVISED =
	PLOT DATE = 12/13/2012	CHECKED = AJK	REVISED =

STATE OF ILLINOIS  
DEPARTMENT OF TRANSPORTATION

DECK REINFORCEMENT PLAN AND CROSS SECTION  
IL 25/STEARNS RD EB OVER BREWSTER CREEK STRUCTURE NO. 045-2033

SHEET NO. 597 OF 598 SHEETS

F.A.P. RTE.	SECTION	COUNTY	TOTAL SHEETS	SHEET NO.
381	06-002:4-18-RP	KANE	451	322
ILLINOIS FED. AID PROJECT			CONTRACT NO. 63598	

x:\100000s\10074\Engineering\Documents\Phase 1\15-2033-Brewster-Creek\Plans\0452033-007-dkpln.xs.dgn

2:34:44 PM

12/13/2012