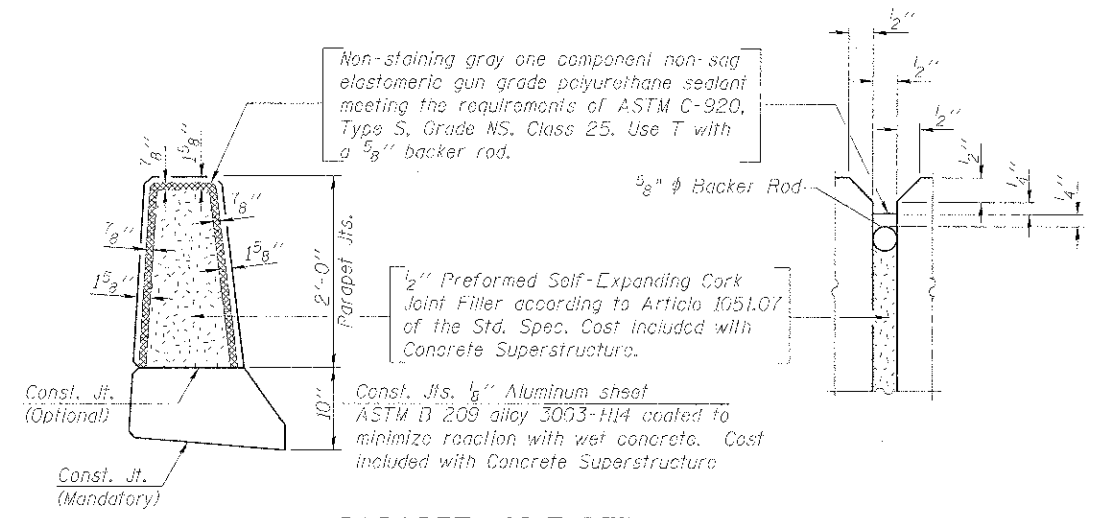


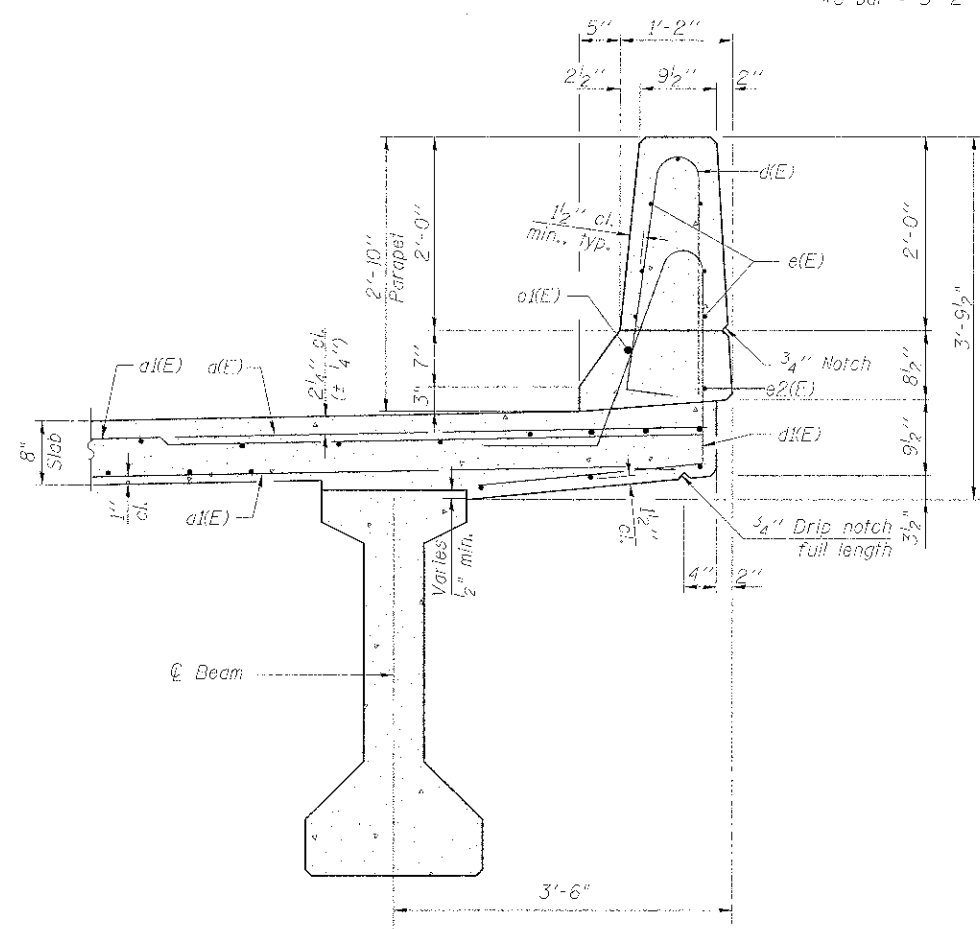
INSIDE ELEVATION OF PARAPET

MINIMUM BAR LAP

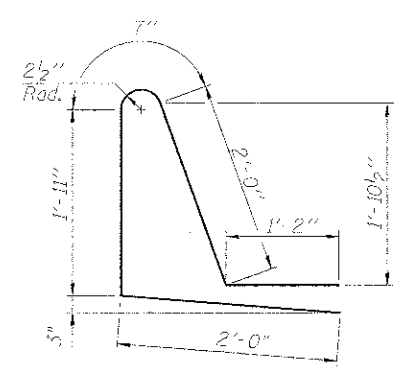
- #4 bar = 2'-0"
- #8 bar = 5'-2"



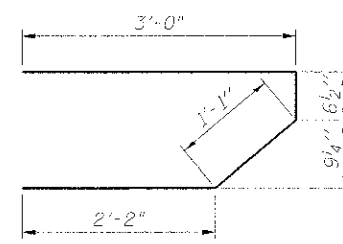
PARAPET JOINT DETAILS



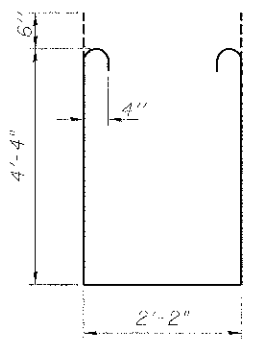
SECTION THRU SOUTH PARAPET



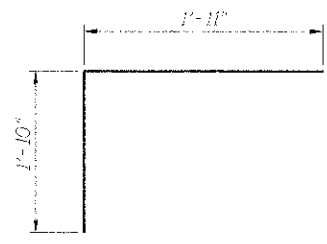
BAR d(E)



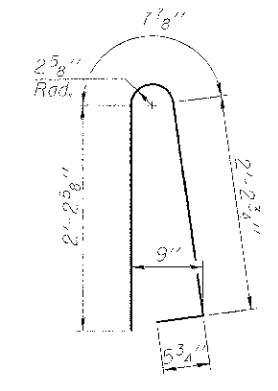
BAR s(E)



BAR s(E)



BAR v(E)



BAR d(E)

SUPERSTRUCTURE BILL OF MATERIAL

Bar No.	Size	Length	Staps
a(E)	#6	6'-6"	
a1(E)	#5	31'-1"	
a2(E)	#6	32'-9"	
b(E)	#5	35'-11"	
b2(E)	#5	24'-6"	
c(E)	#5	5'-7"	
d(E)	#5	7'-8"	
e(E)	#4	17'-1"	
e1(E)	#8	37'-3"	
e2(E)	#4	24'-5"	
m(E)	#6	32'-8"	
m2(E)	#6	17'-7"	
m3(E)	#6	6'-4"	
m4(E)	#6	2'-6"	
s(E)	#5	6'-10"	
s1(E)	#4	11'-10"	
v(E)	#5	3'-9"	
Reinforcement Bars, Epoxy Coated		Lbs.	21,250
Concrete Superstructure		Cu. Yds.	100.4

Bars indicated thus 1x2-#5 etc. indicates 1 line of bars with 2 lengths per line.