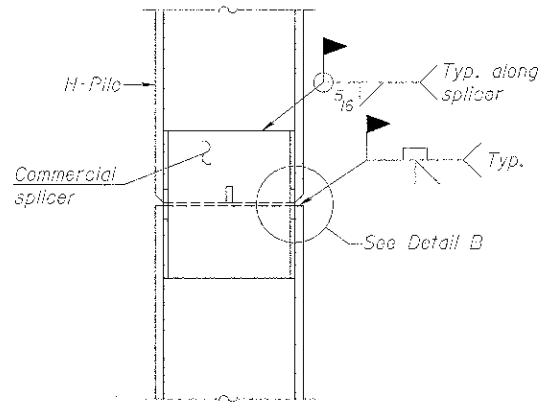
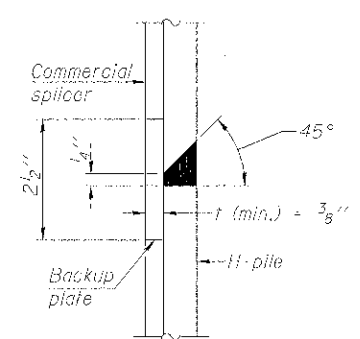


STEEL PILE TABLE

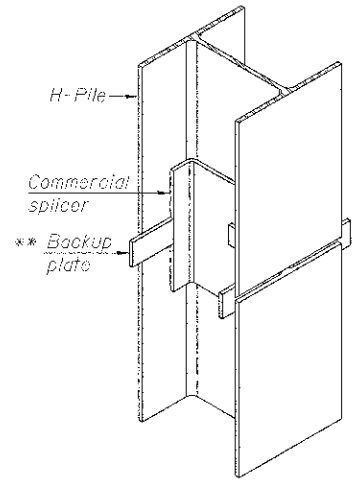
Designation	Depth d	Flange width d <sub>f</sub>	Web and Flange thickness t	Encasement diameter A
HP 14x117	14 1/4"	14 3/8"	1 5/16"	30"
x102	14"	14 3/4"	1 1/16"	30"
x89	13 7/8"	14 3/4"	5/8"	30"
x73	13 5/8"	14 5/8"	1/2"	30"
HP 12x84	12 1/4"	12 1/4"	1 1/16"	24"
x74	12 1/8"	12 1/4"	5/8"	24"
x63	12"	12 1/8"	1/2"	24"
x53	11 3/4"	12"	7/16"	24"
HP 10x57	10"	10 1/4"	9/16"	24"
x42	9 3/4"	10 1/8"	7/16"	24"
HP 8x36	8"	8 1/8"	1/16"	18"



ELEVATION

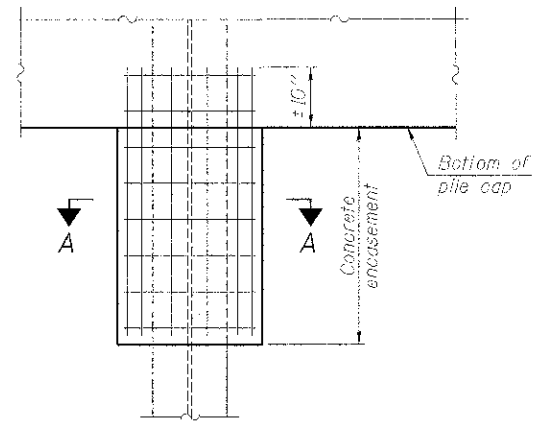


DETAIL "B"



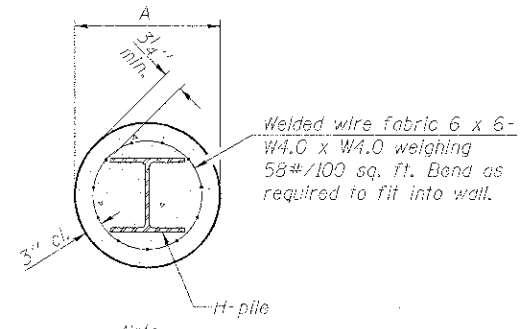
ISOMETRIC VIEW

WELDED COMMERCIAL SPLICE



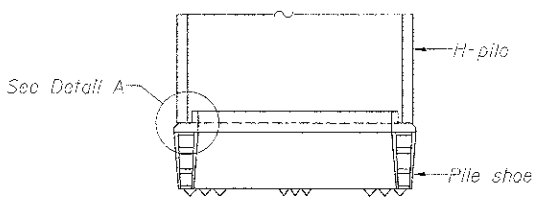
ELEVATION

PILE ENCASEMENT

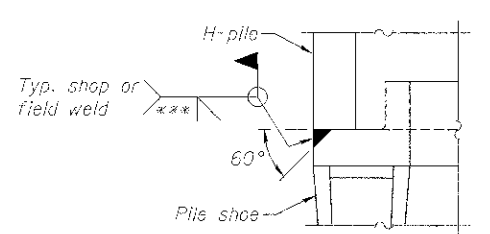


SECTION A-A

Note:  
Forms for encasement may be omitted when soil conditions permit.

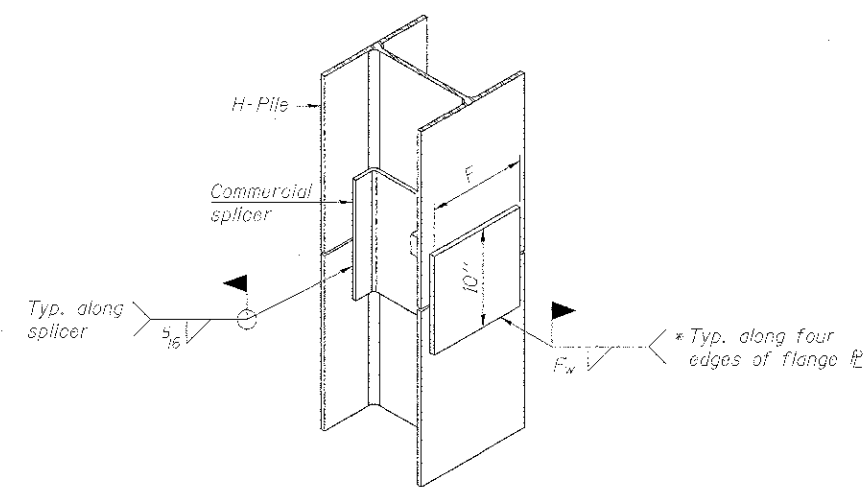


ELEVATION



DETAIL A

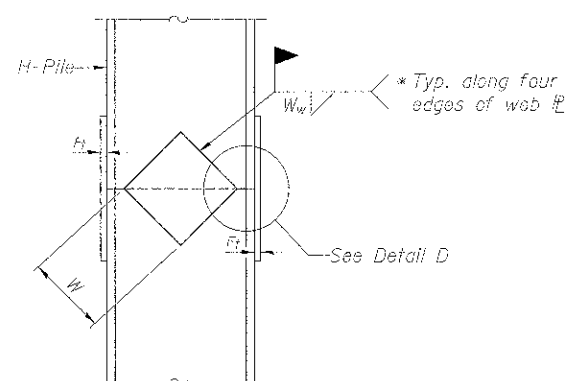
H-PILE SHOE ATTACHMENT



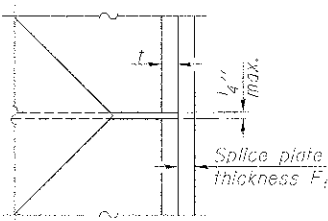
ISOMETRIC VIEW

WELDED COMMERCIAL SPLICE ALTERNATE

- \* Interrupt welds 1/4" from end of web and/or each flange.
- \*\* Remove portions of backup plates that extend outside the flanges.
- \*\*\* Weld size per pile shoe manufacturer (3/16" min.).



ELEVATION



DETAIL D

WELDED PLATE FIELD SPLICE

Designation	F	F <sub>f</sub>	F <sub>w</sub>	W	W <sub>f</sub>	W <sub>w</sub>
HP 14x117	12 1/2"	1"	7/8"	7 3/4"	5 3/8"	1 1/2"
x102	12 1/2"	7/8"	5/4"	7 3/4"	5 3/8"	1 1/2"
x89	12 1/2"	3/4"	1 1/16"	7 3/4"	5 3/8"	1 1/2"
x73	12 1/2"	5/8"	9/16"	7 3/4"	5 3/8"	1 1/2"
HP 12x84	10"	7/8"	1 1/16"	6 1/2"	5 3/8"	1 1/2"
x74	10"	7/8"	1 1/16"	6 1/2"	5 3/8"	1 1/2"
x63	10"	5/8"	1/2"	6 1/2"	1 1/2"	3/8"
x53	10"	5/8"	1/2"	6 1/2"	1 1/2"	3/8"
HP 10x57	8"	3/4"	9/16"	5 1/4"	1 1/2"	3/8"
x42	8"	5/8"	9/16"	5 1/4"	1 1/2"	3/8"
HP 8x36	7"	5/8"	7/16"	4 1/4"	1 1/2"	3/8"

Note:  
The steel H-piles shall be according to AASHTO M270 Grade 50.

**benesch**  
engineers · scientists · planners  
Alfred Benesch & Company  
205 North Michigan Avenue, Suite 2400  
Chicago, Illinois 60601  
312-565-0450 Job No. 10074

F-HP 1-27-12

STATE OF ILLINOIS  
DEPARTMENT OF TRANSPORTATION

HP PILE DETAILS  
IL 25/STEARNS RD EB OVER BREWSTER CREEK STRUCTURE NO. 045-2033

F.A.P. NO. 361	SECTION C6-00214-18-RP	COUNTY KANE	TOTAL SHEETS 330	SHEET NO. 330
CONTRACT NO. 63598			ILLINOIS FED. AID PROJECT	

FILE NAME: 0452033-015-piles.dgn	USER NAME: rgram	DESIGNED: MFK	REVISED: -
		CHECKED: AJK	REVISED: -
	PLOT SCALE: -	DRAWN: RMG	REVISED: -
	PLOT DATE: 12/13/2012	CHECKED: AJK	REVISED: -

SHEET NO. 3815 OF 5819 SHEETS

x:\1000s\10074\Engineering\Documents\Phase\_1\SN\_045\_2033\_Brewster\_Creek\Plans\0452033-015-piles.dgn 2:34:53 PM 12/13/2012