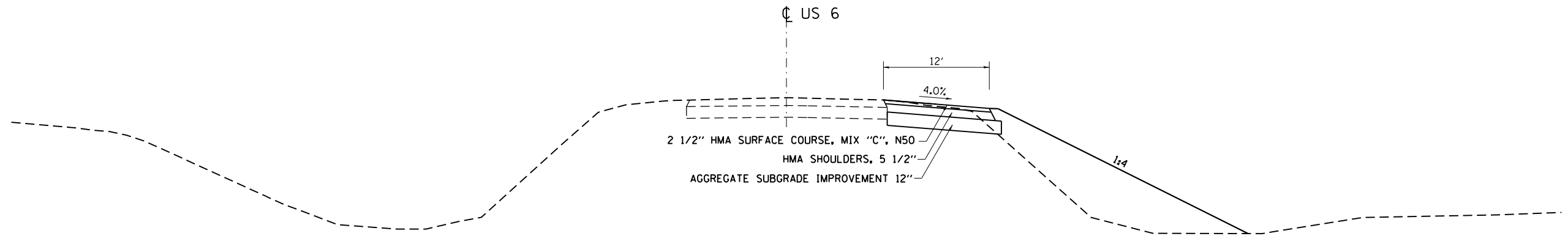
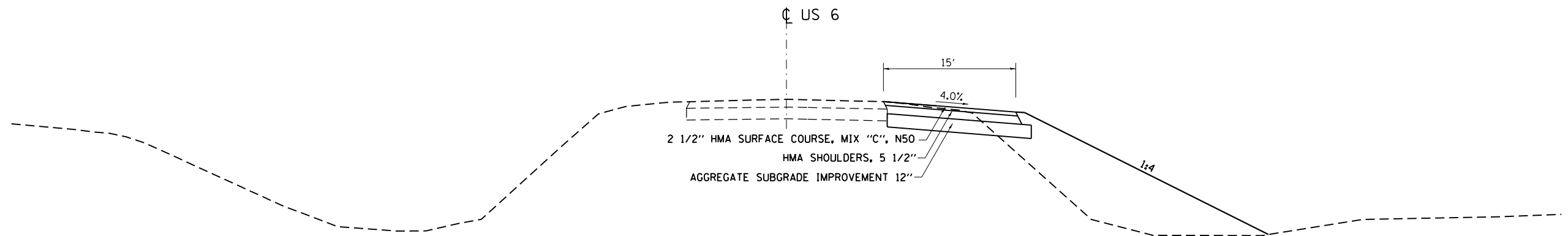


PRE STAGE 2 – TYPICAL SECTIONS

RT STA 370+60.00 - RT STA 371+07.39
 RT STA 371+96.72 - RT STA 374+00.00



RT STA 394+04.94 - RT STA 397+70.00



FILE NAME =	USER NAME = renkesw	DESIGNED -	REVISED -	STATE OF ILLINOIS DEPARTMENT OF TRANSPORTATION	US RTE 6 PRE STAGE 2 TYPICAL SECTIONS				F.A.U RTE.	SECTION	COUNTY	TOTAL SHEETS	SHEET NO.		
Default	ct:\pw\work\p\dot\renkesw\dms36691\d201584-sht-tp.dgn	DRAWN -	REVISED -		SCALE:	SHEET	OF	SHEETS	STA.	TO STA.	5789	40BR	ROCK ISLAND	225	21
	PLOT SCALE = 100.0000' / in.	CHECKED -	REVISED -						CONTRACT NO. 64341						
	PLOT DATE = Wed Dec 19 08:38:52 2012	DATE -	REVISED -						ILLINOIS FED. AID PROJECT						