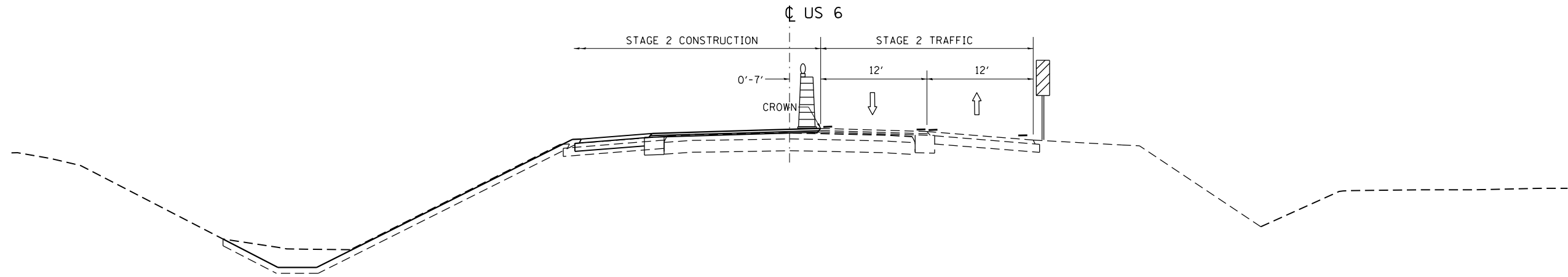
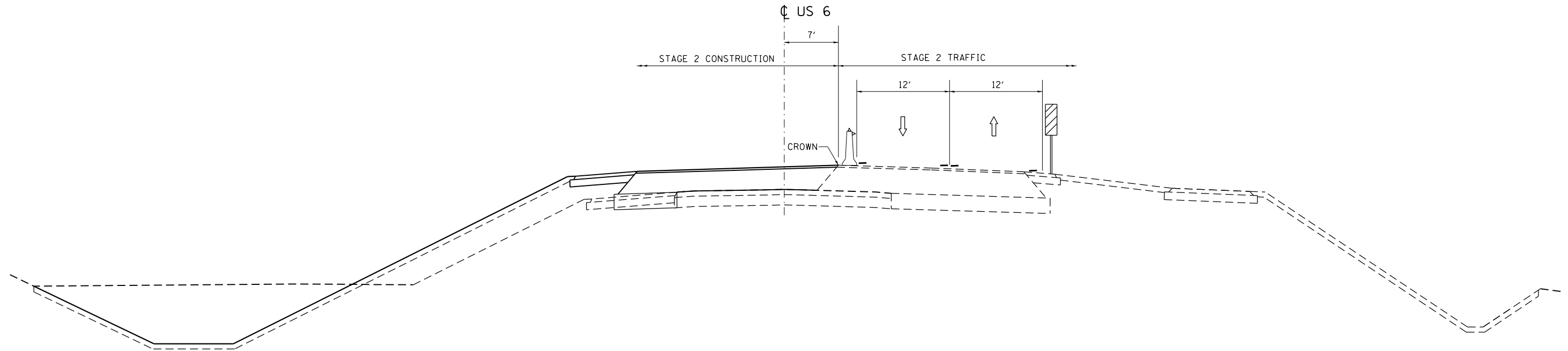


STAGE 2 – TYPICAL SECTIONS

STA 374+00 - STA 380+53.38



STA 380+53.38 - STA 382+64.38



FILE NAME =	USER NAME = renkesw	DESIGNED -	REVISED -	STATE OF ILLINOIS DEPARTMENT OF TRANSPORTATION	US RTE 6 STAGE 2 TYPICAL SECTIONS				F.A.U RTE.	SECTION	COUNTY	TOTAL SHEETS	SHEET NO.	
Default	ct:\pw\work\p\dot\renkesw\dms36691\d201584-sht-tp.dgn	DRAWN -	REVISED -		SCALE:	SHEET	OF	SHEETS	STA.	TO STA.	40BR	ROCK ISLAND	225	25
	PLOT SCALE = 100.0000' / in.	CHECKED -	REVISED -								CONTRACT NO. 64341			
	PLOT DATE = Wed Dec 19 08:40:32 2012	DATE -	REVISED -								ILLINOIS FED. AID PROJECT			