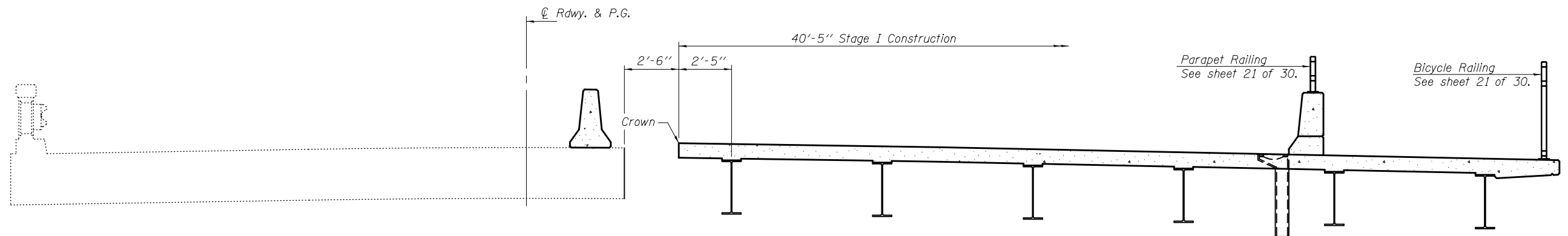
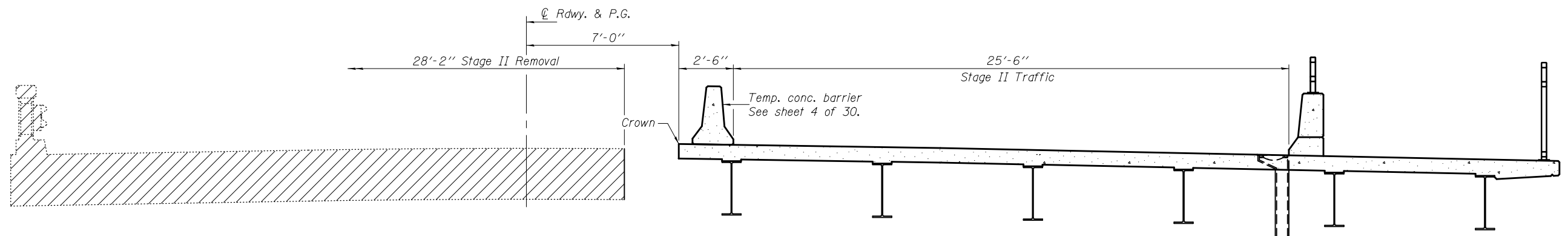


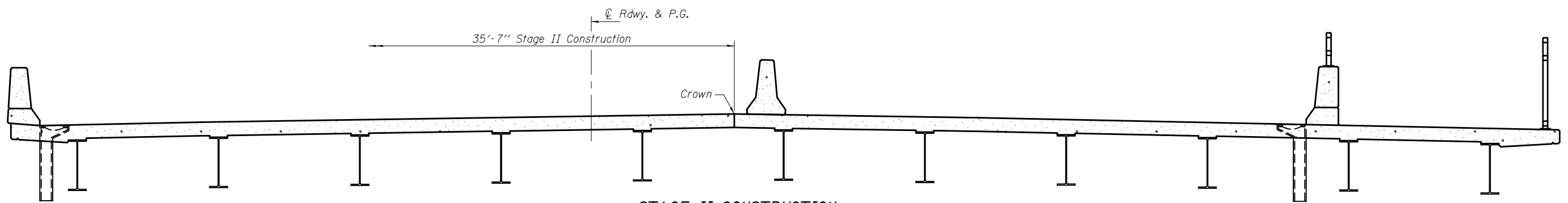
**STAGE I REMOVAL**



**STAGE I CONSTRUCTION**



**STAGE II REMOVAL**



**STAGE II CONSTRUCTION**

Notes: All sections are looking east.  
 Hatched area indicates removal of existing superstructure.  
 For quantity of temporary concrete barrier, see Roadway Plans.

DESIGNED - STEPHEN M. RYAN  
 CHECKED - RAY AHANCHI  
 DRAWN - h.t. duong  
 CHECKED - S.M.R. / G.R.A.

EXAMINED  
 PASSED  
 ACTING ENGINEER OF BRIDGE DESIGN  
 ACTING ENGINEER OF BRIDGES AND STRUCTURES

DATE - MARCH 12, 2013  
 REVISED  
 REVISED

**STATE OF ILLINOIS  
 DEPARTMENT OF TRANSPORTATION**

**STAGE CONSTRUCTION DETAILS  
 STRUCTURE NO. 081-0163**  
 SHEET NO. 3 OF 30 SHEETS

F.A.U. RTE.	SECTION	COUNTY	TOTAL SHEETS	SHEET NO.
5789	40 BR	ROCK ISLAND	225	124
CONTRACT NO. 64341				
ILLINOIS FED. AID PROJECT				