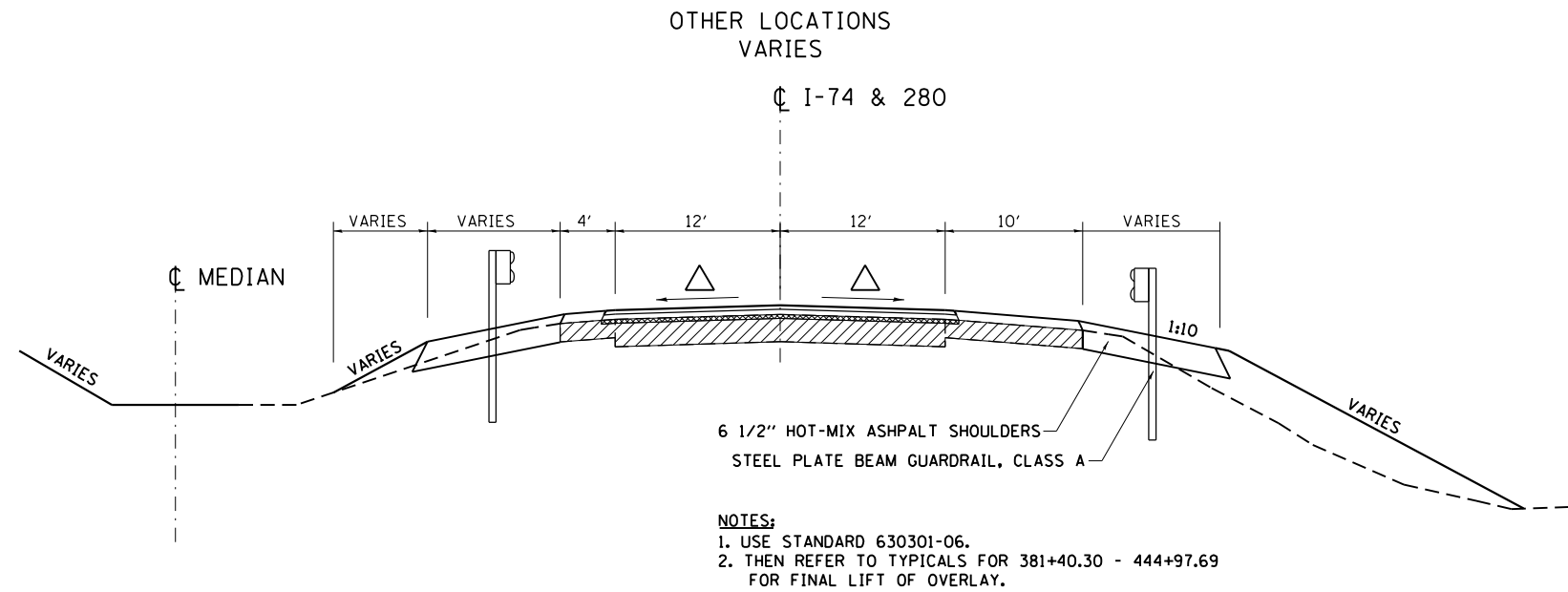
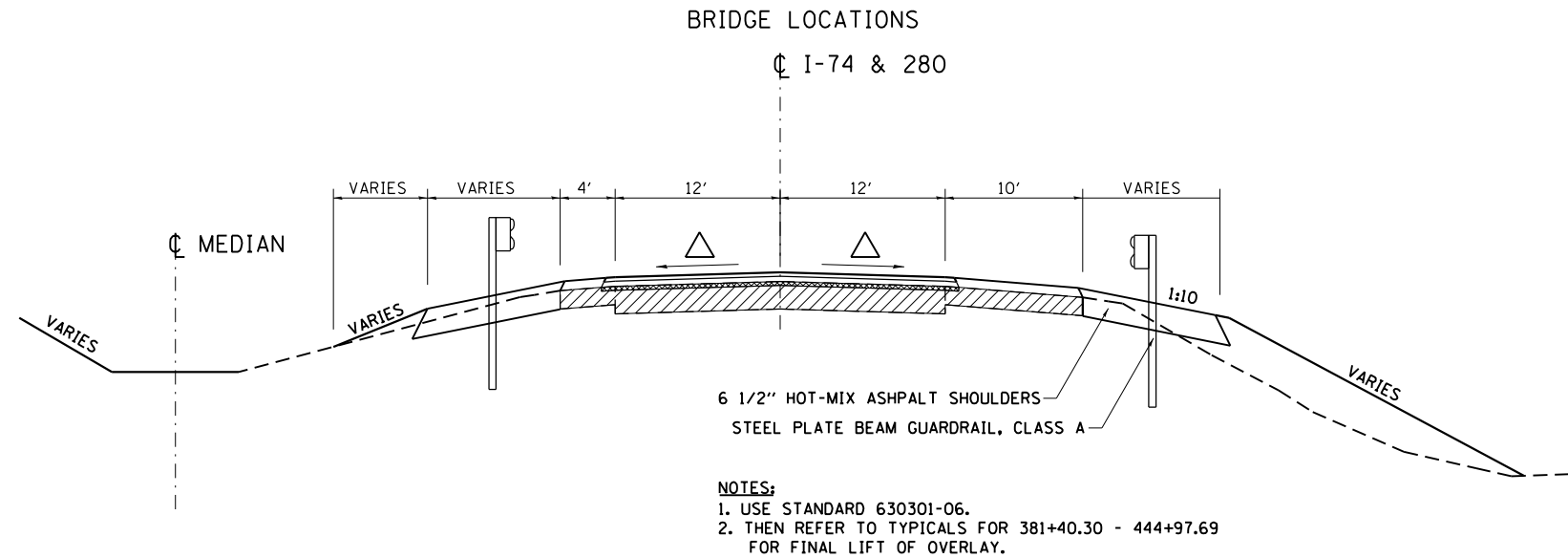


TYPICAL SECTIONS GUARDRAIL LOCATIONS



NOTES:

- * ROCK ISLAND COUNTY
- ** HENRY COUNTY
- *** VARIES
- **** WIDTH VARIES TO TIE INTO SHOULDER
- △ MAINTAIN EXISTING X-SLOPE 3/16"/FT DESIRED (1/8"/FT MIN.)
- MIX "C" = 112 LBS/SQ YD/INCH
- MIX "E" = 119 LBS/SQ YD/INCH



EXISTING



REMOVAL

FILE NAME =	USER NAME = renkesrw	DESIGNED -	REVISED -
c:\pwork\pwork\renkesrw\d0117904\d200307-sh-t-typl.dgn		DRAWN -	REVISED -
Default	PLOT SCALE = 40.0000' / in.	CHECKED -	REVISED -
	PLOT DATE = Tue Mar 19 13:43:13 2013	DATE -	REVISED -

**STATE OF ILLINOIS
 DEPARTMENT OF TRANSPORTATION**

TYPICAL SECTIONS

SCALE: SHEET OF SHEETS STA. TO STA.

* 74/280 & 80
 ** (81-2, 81-3, 37-1, 37-2-1) RS-1 & 81-3BR
 *** ROCK ISLAND/HENRY COUNTY

F.A.I. RTE.	SECTION	COUNTY	TOTAL SHEETS	SHEET NO.
*	**	***	290	23
CONTRACT NO. 64D23				
ILLINOIS FED. AID PROJECT				