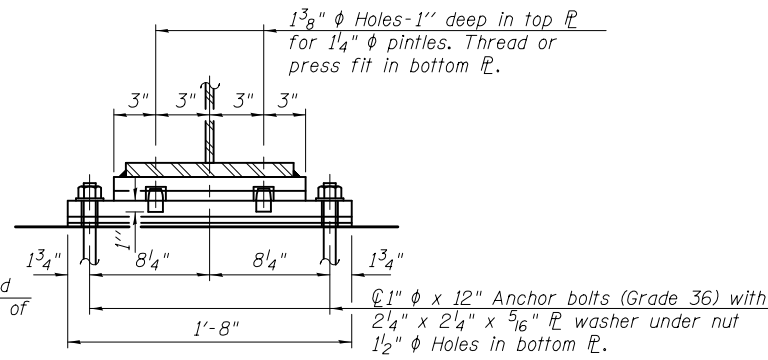
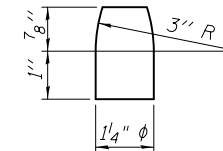


ELEVATION AT PIER

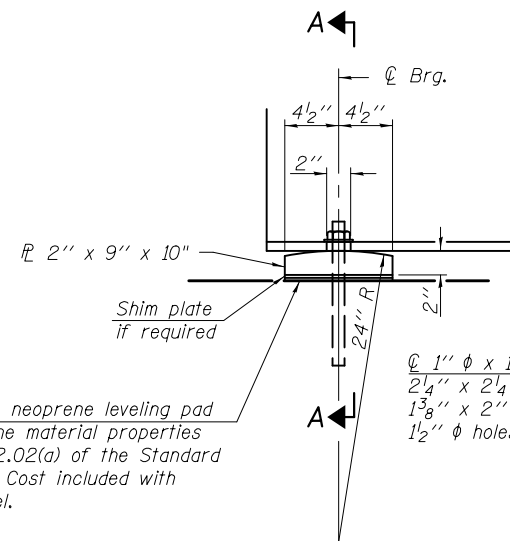


SECTION B-B

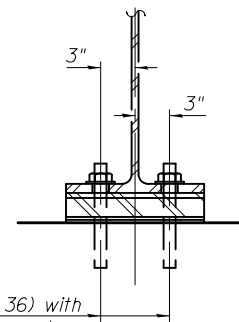


PINTLE

FIXED BEARING AT PIERS



ELEVATION AT ABUTMENT



SECTION A-A

1/8" elastomeric neoprene leveling pad according to the material properties of Article 1052.02(a) of the Standard Specifications. Cost included with Structural Steel.

1" ϕ x 12" anchor bolts (Grade 36) with 2 1/4" x 2 1/4" x 5/16" PL washer under nut.
1 3/8" x 2" slotted hole in flange.
1 1/2" ϕ holes in bearing plate.

Notes:
Anchor bolts shall be ASTM F1554 all-thread (or an Engineer-approved alternate material) of the grade(s) and diameter(s) specified. The corresponding specified grade of AASHTO M314 anchor bolts may be used in lieu of ASTM F1554.
Anchor bolts at fixed bearings may be either cast in place or installed in holes drilled after the supported member is in place.
Two 3/8 in. adjusting shims shall be provided for each bearing in addition to all other plates or shims and placed as shown on bearing details.
Drilled and set anchor bolts shall be installed according to Article 521.06 of the Standard Specifications.
The structural steel bearing plates and pintles shall conform to the requirements of AASHTO M270 Grade 50.

BILL OF MATERIAL

Item	Unit	Total
Anchor Bolts, 1"	Each	96

FIXED BEARING AT ABUTMENTS

3/19/2013 2:42:04 PM 0810194_64D23_023_BrgDet_01.dgn



DESIGNED - MAS	REVISED -
CHECKED - BJM	REVISED -
DRAWN - MWS	REVISED -
CHECKED - BJM	REVISED -

STATE OF ILLINOIS
DEPARTMENT OF TRANSPORTATION

BEARING DETAILS
STRUCTURE NO. 081-0194 (E.B.) & NO. 081-0195 (W.B.)

SHEET NO. 23 OF 38 SHEETS

F.A.I. RTE.	SECTION	COUNTY	TOTAL SHEETS	SHEET NO.
74/280	81-3BR	ROCK ISLAND	290	186
CONTRACT NO. 64D23				
ILLINOIS FED. AID PROJECT				