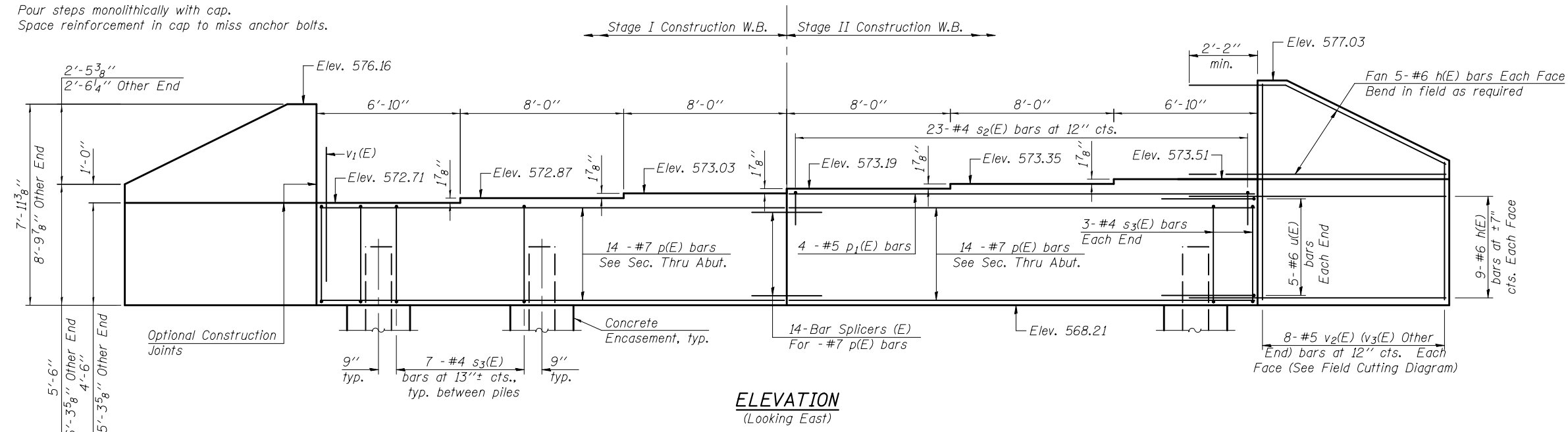
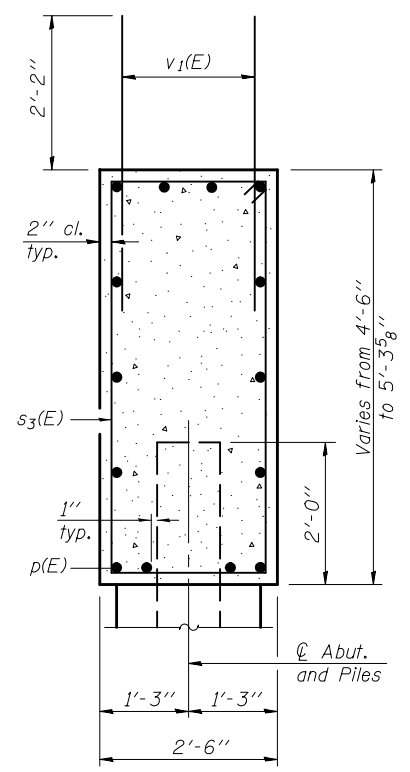


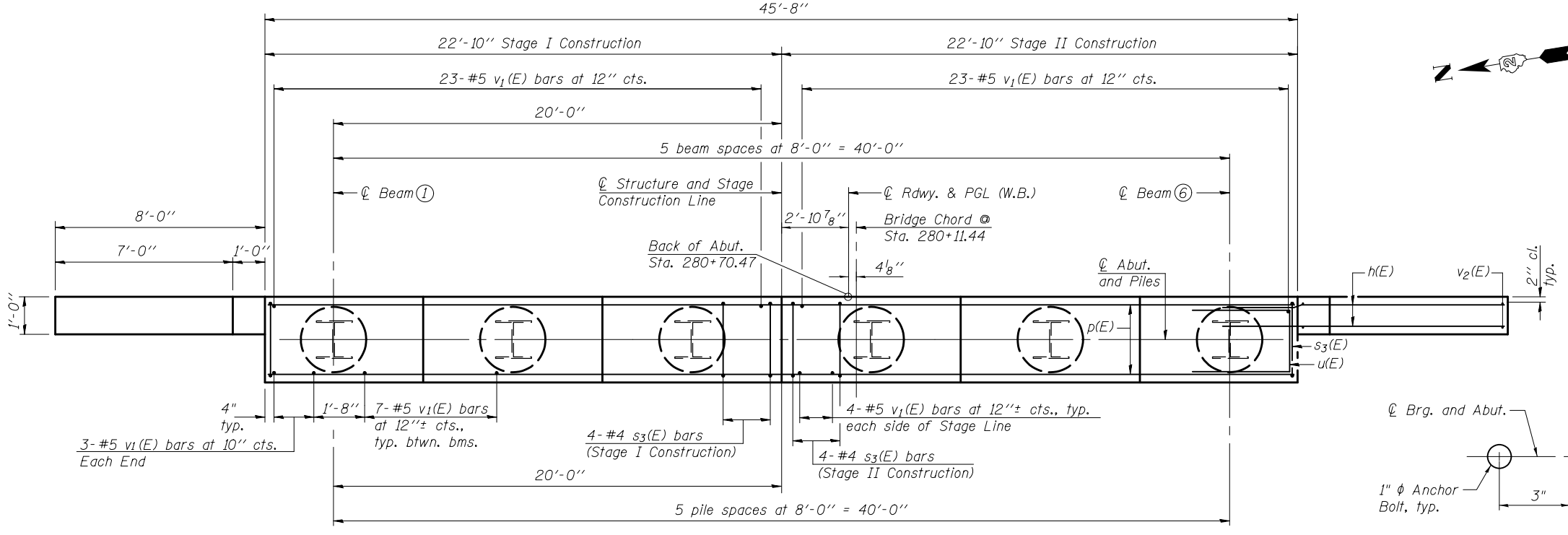
Notes:  
 Pour steps monolithically with cap.  
 Space reinforcement in cap to miss anchor bolts.



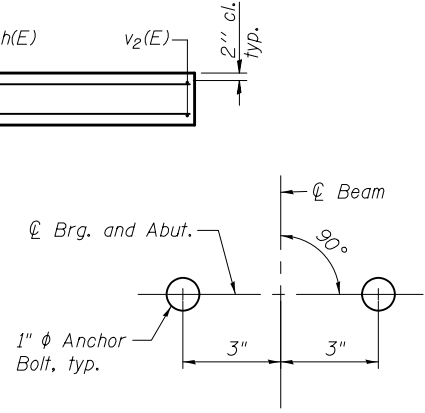
**ELEVATION**  
 (Looking East)



**SEC. THRU ABUT.**

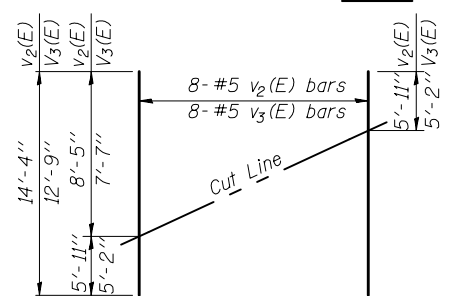


**PLAN**

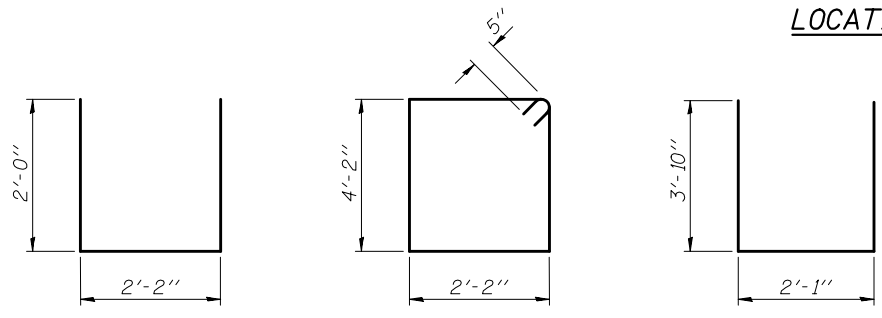


**ANCHOR BOLT LOCATION DETAIL**

**PILE DATA**  
 Type: Steel HP 10x42 with Pile Shoes  
 Nominal Required Bearing: 335 kip  
 Factored Resistance Available: 184 kip  
 Est. Length: 13 ft  
 No. Production Piles: 5  
 No. Test Piles: 1



**FIELD CUTTING DIAGRAM**



**BAR s2(E)**

**BAR s3(E)**

**BAR u(E)**

Order v2(E) and v3(E) full length. Cut as shown and use remainder of bars in opposite face.

**BILL OF MATERIAL**

Bar	No.	Size	Length	Shape
h(E)	56	#6	10'-6"	—
p(E)	28	#7	22'-6"	—
p1(E)	4	#5	22'-6"	—
s2(E)	23	#4	6'-2"	□
s3(E)	42	#4	13'-6"	□
u(E)	10	#6	9'-9"	—
v1(E)	88	#5	4'-4"	—
v2(E)	16	#5	14'-4"	—
v3(E)	16	#5	12'-9"	—
Structure Excavation		Cu. Yd.	124	
Concrete Structures		Cu. Yd.	25.0	
Reinforcement Bars, Epoxy Coated		Pound	3,740	
Furnishing Steel Piles, HP10x42		Foot	65	
Driving Piles		Foot	65	
Test Pile Steel HP10x42		Each	1	
Concrete Encasement		Cu. Yd.	2.1	
Pile Shoes		Each	6	

For details of Bar Splicers, see sheet 33 of 38.  
 For details of piles and Concrete Encasement, see sheet 32 of 38.  
 For drainage details, see sheet 2 of 38.

3/19/2013 2:42:06 PM 0810194\_64D23\_025\_Abut\_02.dgn



DESIGNED - MAS	REVISÉ -
CHECKED - MWS	REVISÉ -
DRAWN - TAY	REVISÉ -
CHECKED - MAS	REVISÉ -

**STATE OF ILLINOIS**  
**DEPARTMENT OF TRANSPORTATION**

**EAST ABUTMENT**  
**STRUCTURE NO. 081-195 (W.B.)**  
 SHEET NO. 25 OF 38 SHEETS

F.A.I. R.T.E.	SECTION	COUNTY	TOTAL SHEETS	SHEET NO.
74/280	81-3BR	ROCK ISLAND	290	188
CONTRACT NO. 64D23				
ILLINOIS FED. AID PROJECT				