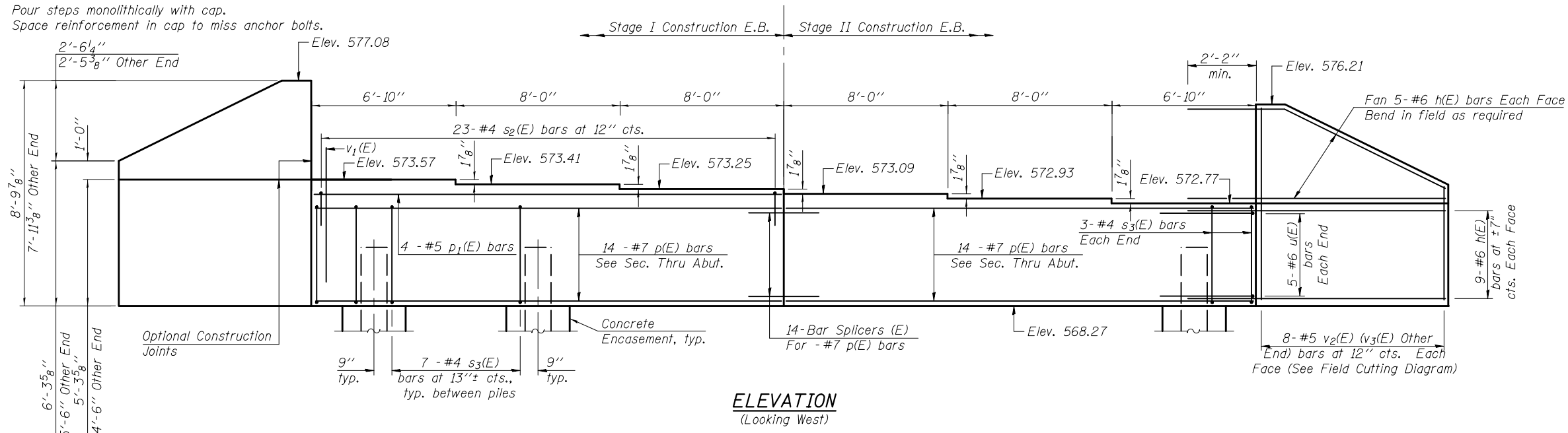
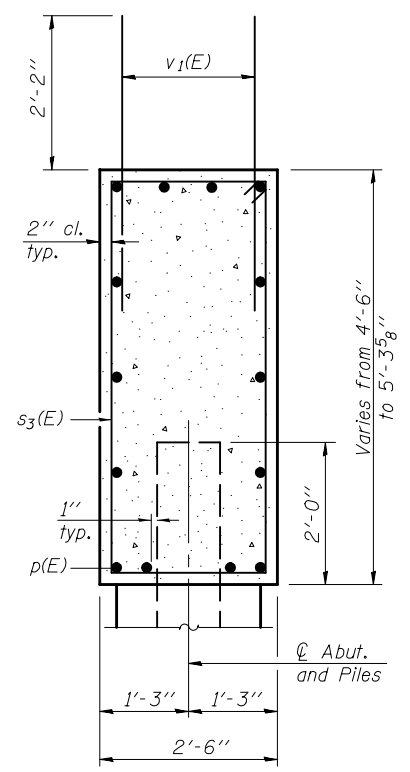


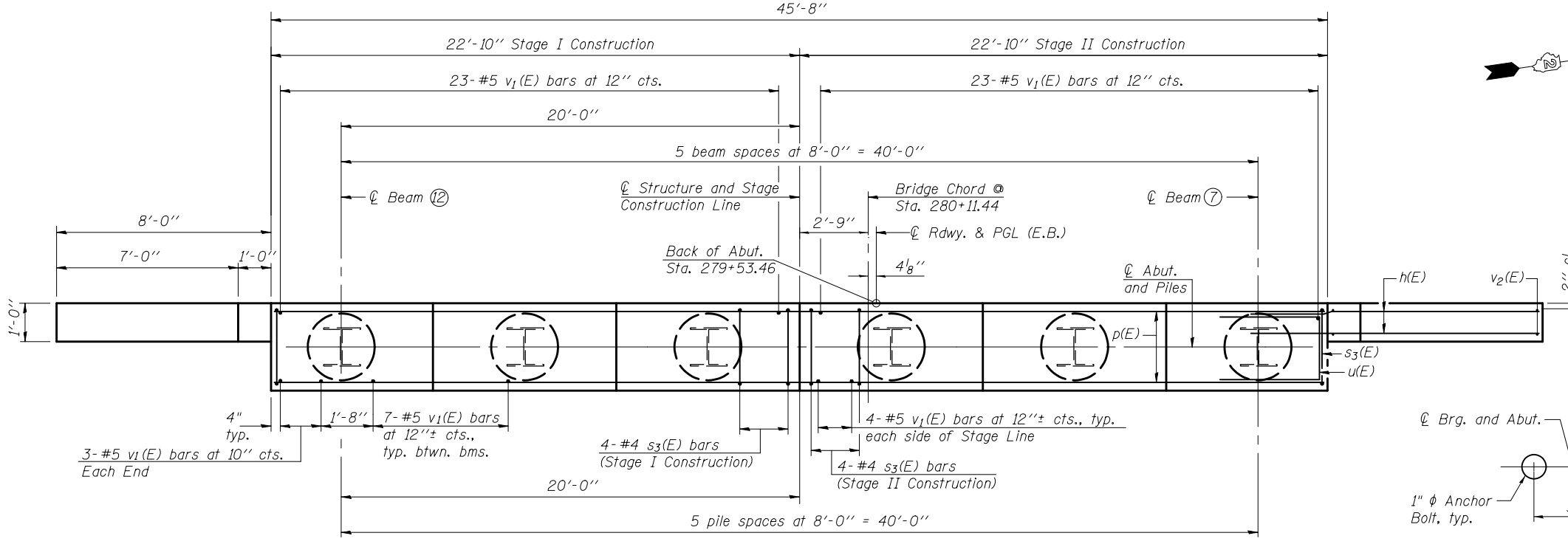
Notes:
 Pour steps monolithically with cap.
 Space reinforcement in cap to miss anchor bolts.



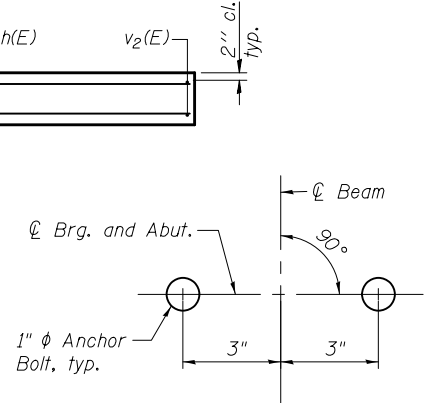
ELEVATION
 (Looking West)



SEC. THRU ABUT.

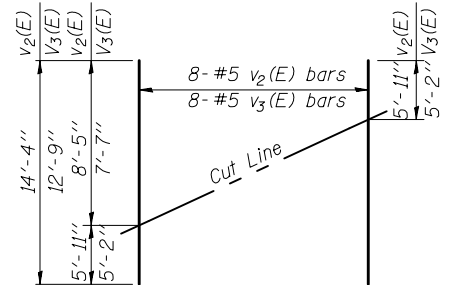


PLAN

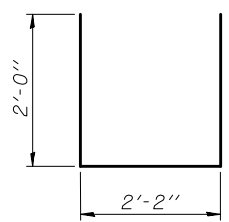


ANCHOR BOLT LOCATION DETAIL

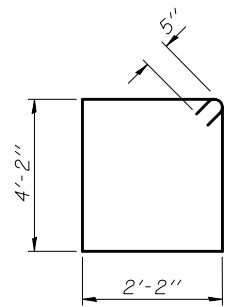
PILE DATA
 Type: Steel HP 10x42 with Pile Shoes
 Nominal Required Bearing: 335 kip
 Factored Resistance Available: 184 kip
 Est. Length: 16 ft
 No. Production Piles: 5
 No. Test Piles: 1



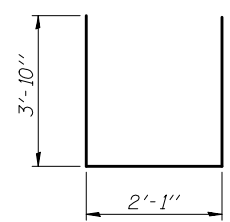
FIELD CUTTING DIAGRAM



BAR s2(E)



BAR s3(E)



BAR u(E)

BILL OF MATERIAL

Bar	No.	Size	Length	Shape
h(E)	56	#6	10'-6"	—
p(E)	28	#7	22'-6"	—
p1(E)	4	#5	22'-6"	—
s2(E)	23	#4	6'-2"	□
s3(E)	42	#4	13'-6"	□
u(E)	10	#6	9'-9"	—
v1(E)	88	#5	4'-4"	—
v2(E)	16	#5	14'-4"	—
v3(E)	16	#5	12'-9"	—
Structure Excavation		Cu. Yd.	124	
Concrete Structures		Cu. Yd.	25.0	
Reinforcement Bars, Epoxy Coated		Pound	3,740	
Furnishing Steel Piles, HP10x42		Foot	80	
Driving Piles		Foot	80	
Test Pile Steel HP10x42		Each	1	
Concrete Encasement		Cu. Yd.	2.1	
Pile Shoes		Each	6	

For details of Bar Splicers, see sheet 33 of 38.
 For details of piles and Concrete Encasement, see sheet 32 of 38.
 For drainage details, see sheet 2 of 38.

3/19/2013 2:42:07 PM 0810194_64D23_0256_Abut.03.dgn



DESIGNED - MAS	REVISSED -
CHECKED - MWS	REVISSED -
DRAWN - TAY	REVISSED -
CHECKED - MAS	REVISSED -

STATE OF ILLINOIS
DEPARTMENT OF TRANSPORTATION

WEST ABUTMENT
STRUCTURE NO. 081-0194 (E.B.)

SHEET NO. 26 OF 38 SHEETS

F.A.I. R.T.E.	SECTION	COUNTY	TOTAL SHEETS	SHEET NO.
74/280	81-3BR	ROCK ISLAND	290	189
CONTRACT NO. 64D23				
ILLINOIS FED. AID PROJECT				