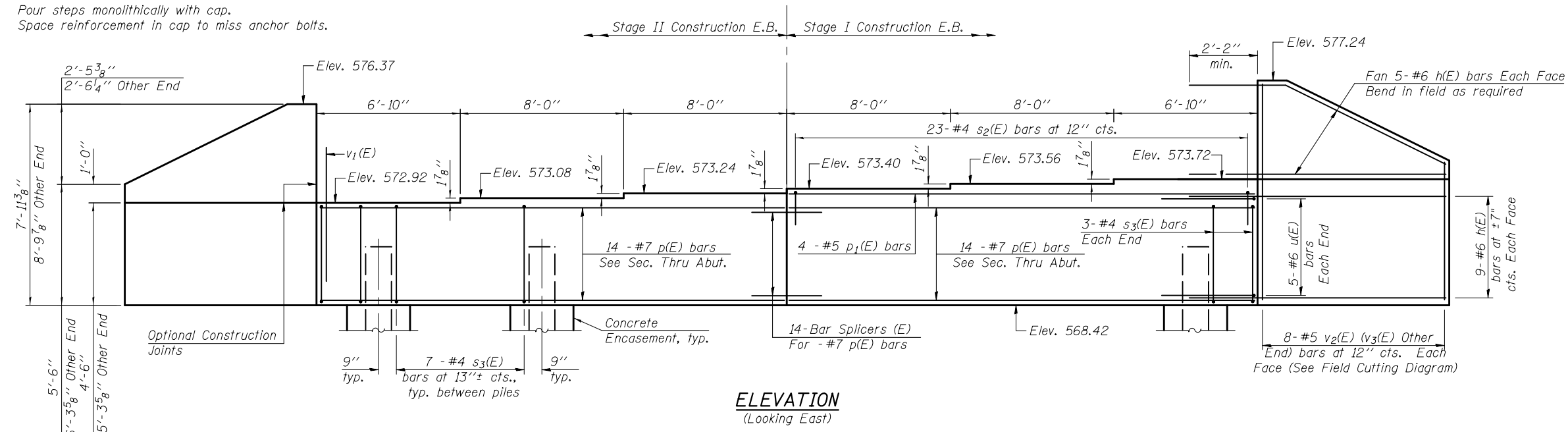
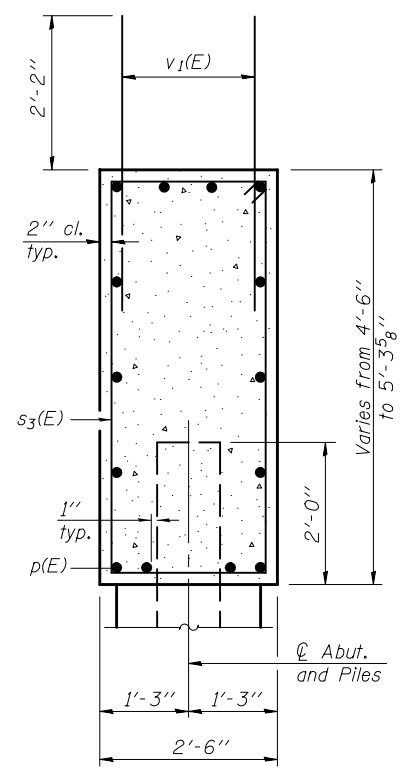


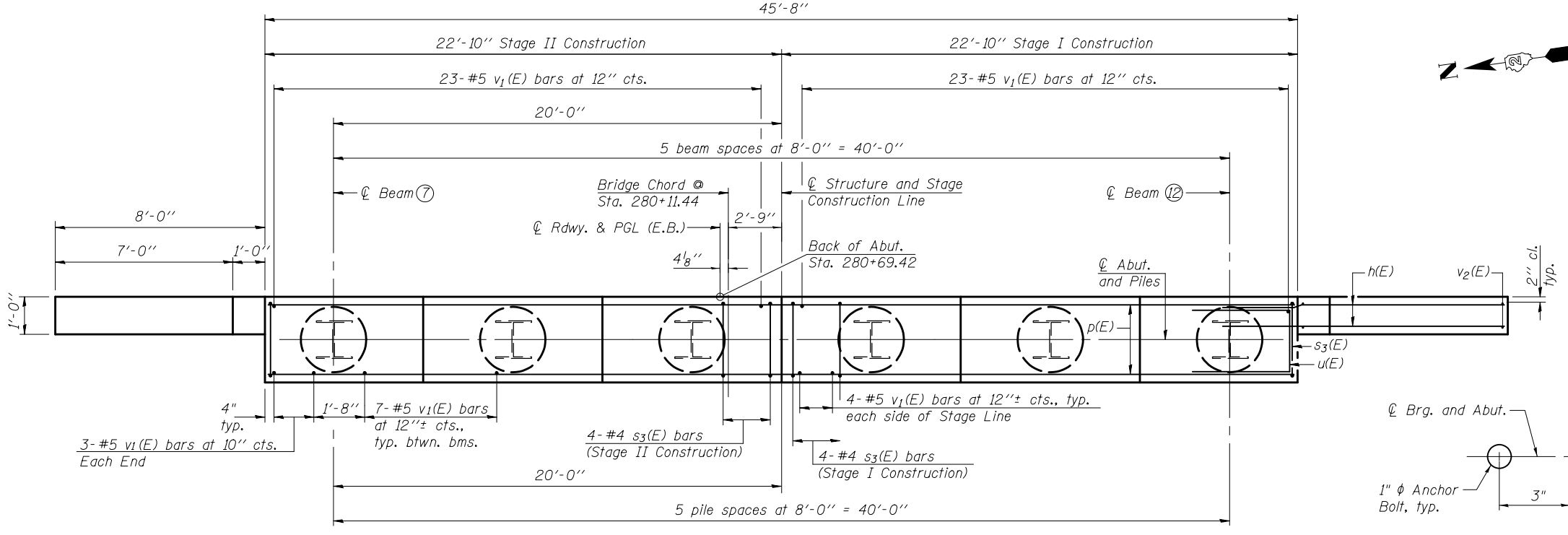
Notes:
 Pour steps monolithically with cap.
 Space reinforcement in cap to miss anchor bolts.



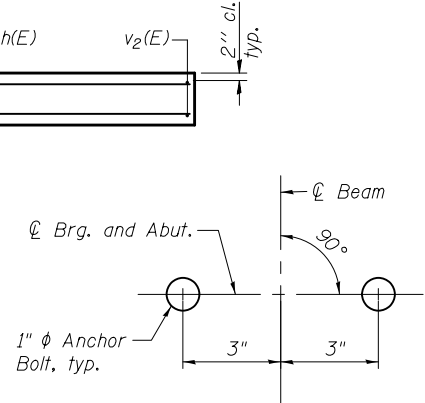
ELEVATION
 (Looking East)



SEC. THRU ABUT.

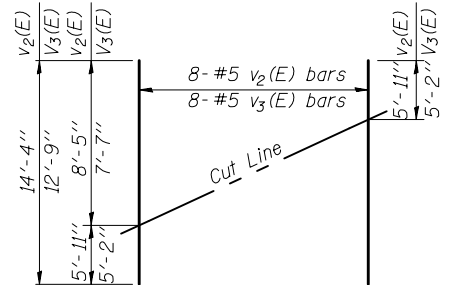


PLAN



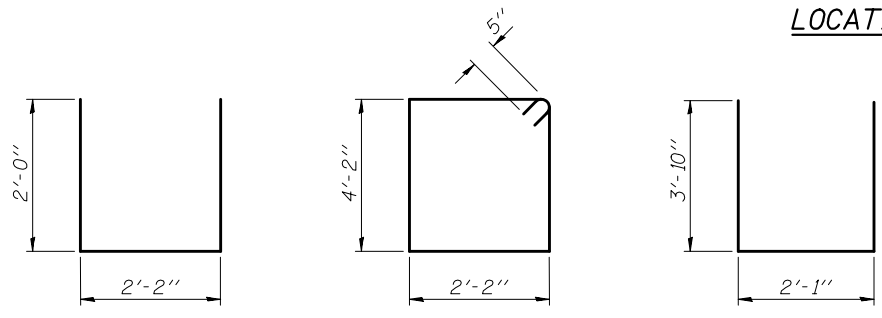
ANCHOR BOLT LOCATION DETAIL

PILE DATA
 Type: Steel HP 10x42 with Pile Shoes
 Nominal Required Bearing: 335 kip
 Factored Resistance Available: 184 kip
 Est. Length: 26 ft
 No. Production Piles: 5
 No. Test Piles: 1



FIELD CUTTING DIAGRAM

Order v2(E) and v3(E) full length. Cut as shown and use remainder of bars in opposite face.



BAR s2(E)

BAR s3(E)

BAR u(E)

BILL OF MATERIAL

Bar No.	Size	Length	Shape
h(E)	#6	10'-6"	—
p(E)	#7	22'-6"	—
p1(E)	#5	22'-6"	—
s2(E)	#4	6'-2"	□
s3(E)	#4	13'-6"	□
u(E)	#6	9'-9"	—
v1(E)	#5	4'-4"	—
v2(E)	#5	14'-4"	—
v3(E)	#5	12'-9"	—
Structure Excavation	Cu. Yd.	117	
Concrete Structures	Cu. Yd.	25.0	
Reinforcement Bars, Epoxy Coated	Pound	3,740	
Furnishing Steel Piles, HP10x42	Foot	130	
Driving Piles	Foot	130	
Test Pile Steel HP10x42	Each	1	
Concrete Encasement	Cu. Yd.	2.1	
Pile Shoes	Each	6	

For details of Bar Splicers, see sheet 33 of 38.
 For details of piles and Concrete Encasement, see sheet 32 of 38.
 For drainage details, see sheet 2 of 38.

3/19/2013 2:42:07 PM 0810194_64D23_027_Abut.04.dgn



DESIGNED - MAS	REVISÉ -
CHECKED - MWS	REVISÉ -
DRAWN - TAY	REVISÉ -
CHECKED - MAS	REVISÉ -

STATE OF ILLINOIS
DEPARTMENT OF TRANSPORTATION

EAST ABUTMENT
STRUCTURE NO. 081-0194 (E.B.)

F.A.I. R.T.E.	SECTION	COUNTY	TOTAL SHEETS	SHEET NO.
74/280	81-3BR	ROCK ISLAND	290	190
CONTRACT NO. 64D23				
ILLINOIS FED. AID PROJECT				

SHEET NO. 27 OF 38 SHEETS