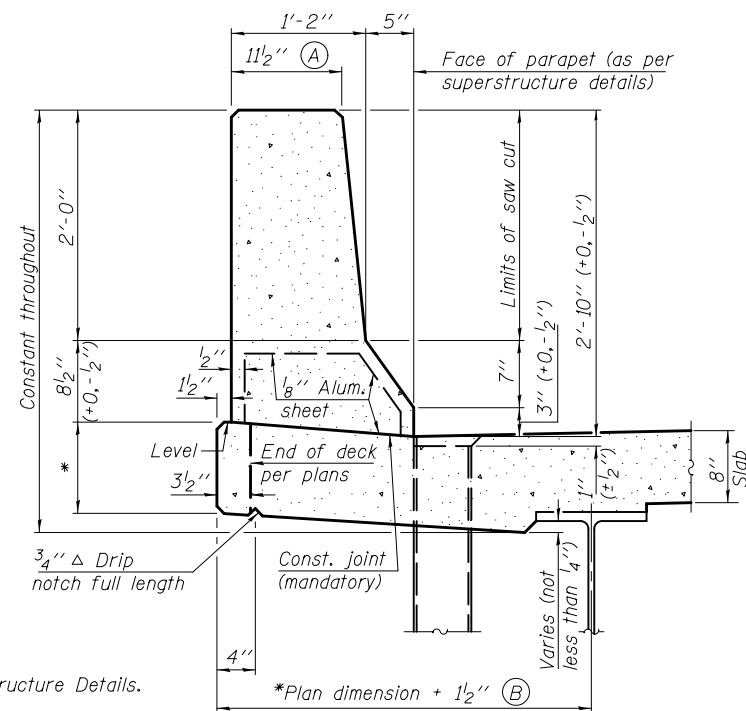


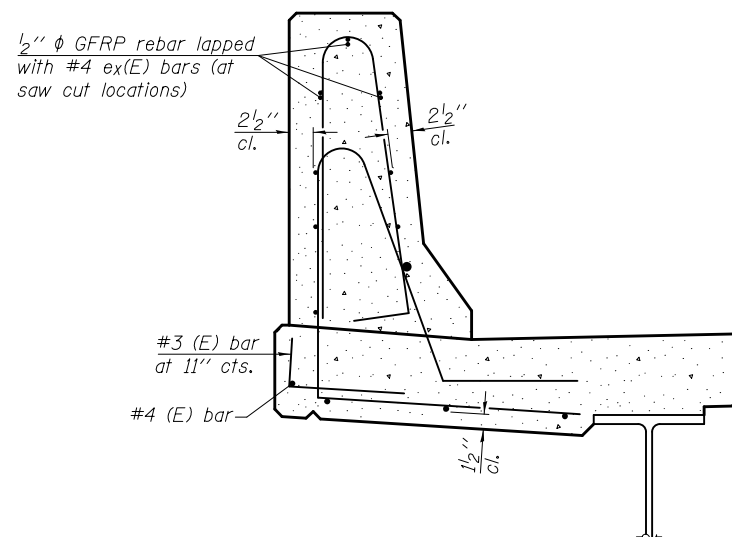
GENERAL NOTES

All dimensions shall remain the same as shown on superstructure details, except dimensions A and B which are to be revised as shown to provide additional clearance. Additional concrete needed to revise dimension A and B = 0.0165 cu. yds./ft. for 34" parapet or = 0.0223 cu. yds./ft. for 42" parapet. Place aluminum sheet in curb portion at and near piers. Full thickness saw cut at all joint locations in lieu of cork joint filler. Steel superstructure shown. Other superstructure types similar.



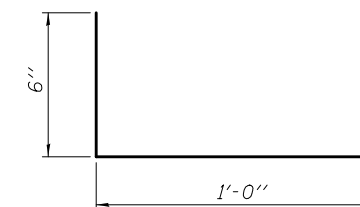
34" F SHAPE PARAPET SECTION
(Showing dimensions)

*See Superstructure Details.

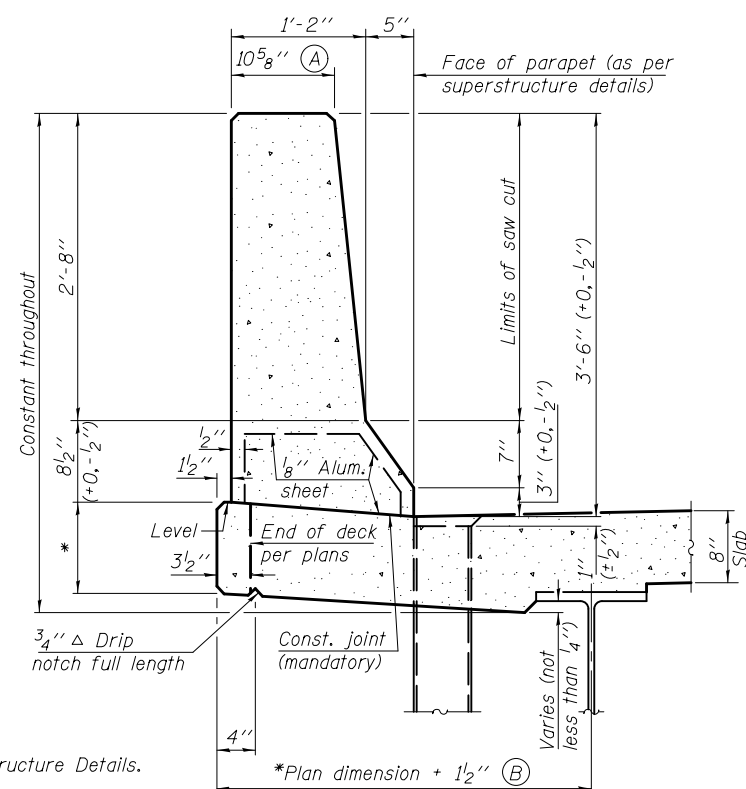


SECTION

(34" parapet shown - 42" parapet similar)
(Showing reinforcement clearances for slip forming and additional reinforcement bars)

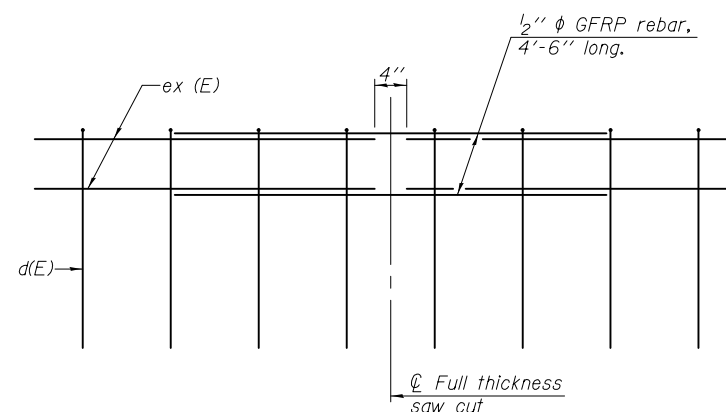


#3 (E) BAR



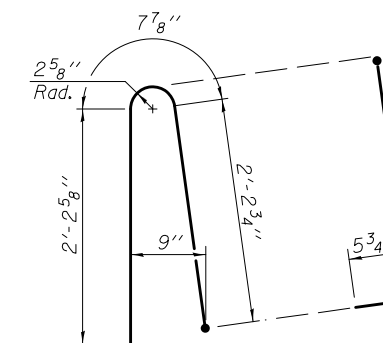
42" F SHAPE PARAPET SECTION
(Showing dimensions)

*See Superstructure Details.

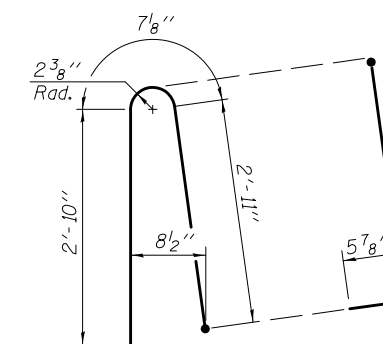


GFRP REBAR STIFFENING DETAIL

(Place as shown in parapet section at each parapet joint location.)



ALTERNATE BAR d(E)
(For 34" parapet when conduit is present)



ALTERNATE BAR d(E)
(For 42" parapet when conduit is present)

SFP 34-42

8-16-12



DESIGNED - --	REVISED -
CHECKED - --	REVISED -
DRAWN - MWS	REVISED -
CHECKED - BJM	REVISED -

**STATE OF ILLINOIS
DEPARTMENT OF TRANSPORTATION**

**CONCRETE PARAPET SLIPFORMING OPTION
STRUCTURE NO. 081-0194 (E.B.) & NO. 081-0195 (W.B.)**

F.A.I. RTE. 74/280	SECTION 81-3BR	COUNTY ROCK ISLAND	TOTAL SHEETS 290	SHEET NO. 198
CONTRACT NO. 64D23				

SHEET NO. 35 OF 38 SHEETS

ILLINOIS FED. AID PROJECT

3/19/2013 2:42:11 PM 0810194_64D23_035_SfpForm_01.dgn