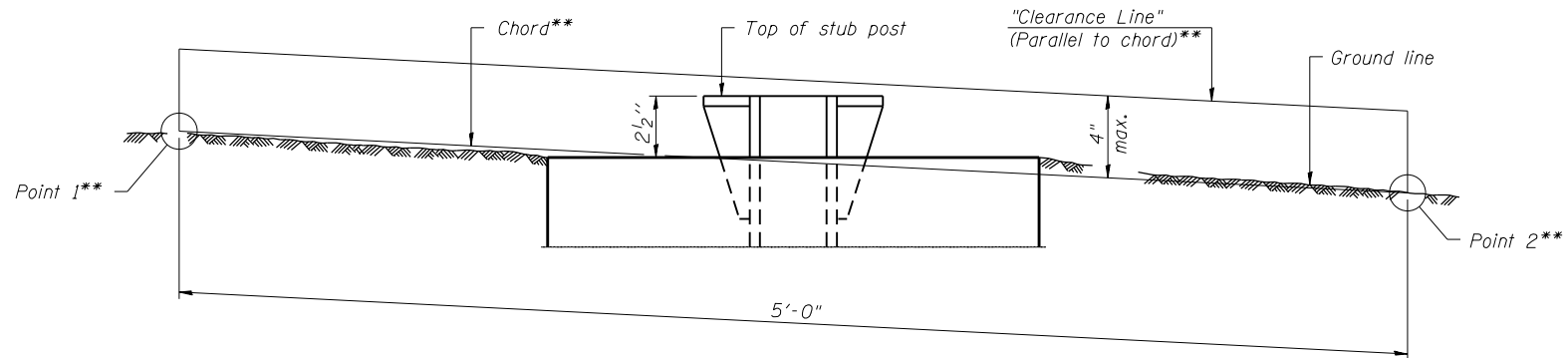


| POST | CONCRETE FOUNDATION TABLE | | | | | | | | POST TO STUB POST CONNECTION DATA | | | | | | | | FUSE PLATE DATA | | | | | |
|--------|---------------------------|-----------------|-----------------------|----------------------|----------------------|---------|------------------|-----------|-----------------------------------|--------|--------|--------|--------|----------------|----------------|------|-----------------|-------|--------|--------|----------------|--------|
| | Foundation | | | Reinforcement | | | Stub Post Length | Bolt Size | A | B | C | D | E | t ₁ | t ₂ | R | W | J | K | L | t ₃ | |
| | Diameter | * Minimum Depth | Concrete (cu. yds.) ① | Vertical Bars Length | Bar Spirals Diameter | Length | | | | | | | | | | | | | | | | lbs. ② |
| W6x9 | 2'-0" | 6'-0" | 0.70 | 5'-9" | 1'-8 1/2" | 79'-0" | 78 | 2'-3" | 5/8" x 3/4" | 6" | 2 1/4" | 1 1/4" | 3 1/2" | 1 1/4" | 3/4" | 1/2" | 1 1/2" | 1/4" | 4" | 2 1/4" | 7/8" | 1/4" |
| W6x15 | 2'-0" | 6'-0" | 0.70 | 5'-9" | 1'-8 1/2" | 79'-0" | 78 | 2'-6" | 5/8" x 3/4" | 6" | 2 1/4" | 1 1/4" | 3 1/2" | 1 1/4" | 3/4" | 1/2" | 1 1/2" | 1/4" | 6" | 3 1/2" | 1 1/4" | 3/8" |
| W8x18 | 2'-0" | 6'-0" | 0.70 | 5'-9" | 1'-8 1/2" | 79'-0" | 78 | 2'-6" | 3/4" x 3 3/4" | 6" | 2 1/2" | 1 3/8" | 3 1/4" | 1 3/8" | 1" | 1/2" | 1 3/2" | 5/16" | 5 1/4" | 2 3/4" | 1 1/4" | 3/8" |
| W10x22 | 2'-6" | 6'-6" | 1.18 | 6'-3" | 2'-2 1/2" | 105'-0" | 92 | 3'-0" | 3/4" x 3 3/4" | 6" | 2 1/2" | 1 3/8" | 3 1/4" | 1 3/8" | 1" | 1/2" | 1 3/2" | 5/16" | 5 3/4" | 2 3/4" | 1 1/2" | 1/2" |
| W10x26 | 2'-6" | 7'-0" | 1.27 | 6'-9" | 2'-2 1/2" | 112'-0" | 98 | 3'-0" | 7/8" x 4" | 7" | 2 3/4" | 1 1/2" | 4" | 1 1/2" | 1" | 3/4" | 1 5/2" | 3/8" | 5 3/4" | 2 3/4" | 1 1/2" | 5/8" |
| W12x26 | 2'-6" | 7'-9" | 1.41 | 7'-6" | 2'-2 1/2" | 119'-0" | 107 | 3'-0" | 7/8" x 4" | 7" | 2 3/4" | 1 1/2" | 4" | 1 1/2" | 1" | 3/4" | 1 5/2" | 3/8" | 6 1/2" | 3 1/2" | 1 1/2" | 5/8" |
| W14x30 | 3'-0" | 7'-3" | 1.90 | 7'-0" | 2'-8 1/2" | 145'-0" | 113 | 3'-0" | 7/8" x 4" | 7" | 2 3/4" | 1 1/2" | 4" | 1 1/2" | 1" | 3/4" | 1 5/2" | 3/8" | 6 3/4" | 3 1/2" | 1 5/8" | 1/2" |
| W14x38 | 3'-0" | 8'-0" | 2.09 | 7'-9" | 2'-8 1/2" | 153'-0" | 122 | 3'-6" | 1" x 4 1/2" | 7 1/2" | 3" | 1 3/4" | 4" | 1 3/4" | 1 1/4" | 3/4" | 1 7/2" | 3/8" | 6 3/4" | 3 1/2" | 1 5/8" | 1/2" |
| W16x45 | 3'-0" | 8'-6" | 2.23 | 8'-3" | 2'-8 1/2" | 162'-0" | 130 | 3'-6" | 1" x 4 1/2" | 7 1/2" | 3" | 1 3/4" | 4" | 1 3/4" | 1 1/4" | 3/4" | 1 7/2" | 3/8" | 7" | 3 1/2" | 1 3/4" | 1/2" |

*Dimensional changes required for varying site conditions shall be approved by the Engineer.

| POST | FUSE PLATE BOLT SIZE | | | | | | | | | | | | | | | | | | | | | |
|--------|----------------------|---------------|---------------|---------------|---------------|---------------|---------------|---------------|---------------|---------------|---------------|---------------|---------------|---------------|---------------|---------------|---------------|-------------|-------------|-------------|-------------|-------------|
| | Sign Height | | | | | | | | | | | | | | | | | | | | | |
| | 4'-0" | 5'-0" | 6'-0" | 7'-0" | 8'-0" | 9'-0" | 10'-0" | 11'-0" | 12'-0" | 13'-0" | 14'-0" | 15'-0" | 16'-0" | 17'-0" | 18'-0" | 19'-0" | 20'-0" | 21'-0" | 22'-0" | 23'-0" | 24'-0" | |
| W6x9 | 1/2" x 1 1/2" | 1/2" x 1 1/2" | 1/2" x 1 1/2" | 1/2" x 1 1/2" | — | — | — | — | — | — | — | — | — | — | — | — | — | — | — | — | — | |
| W6x15 | 1/2" x 1 3/4" | 1/2" x 1 3/4" | 1/2" x 1 3/4" | 5/8" x 2" | 5/8" x 2" | 3/4" x 2" | 3/4" x 2" | 3/4" x 2" | 3/4" x 2" | — | — | — | — | — | — | — | — | — | — | — | — | |
| W8x18 | 1/2" x 1 3/4" | 1/2" x 1 3/4" | 1/2" x 1 3/4" | 5/8" x 2" | 5/8" x 2" | 3/4" x 2" | 3/4" x 2" | 3/4" x 2" | 3/4" x 2" | — | — | — | — | — | — | — | — | — | — | — | — | |
| W10x22 | 1/2" x 2" | 1/2" x 2" | 1/2" x 2" | 1/2" x 2" | 5/8" x 2" | 5/8" x 2" | 3/4" x 2 1/4" | 3/4" x 2 1/4" | 3/4" x 2 1/4" | 3/4" x 2 1/4" | 3/4" x 2 1/4" | 3/4" x 2 1/4" | 3/4" x 2 1/4" | — | — | — | — | — | — | — | — | |
| W10x26 | 1/2" x 2" | 1/2" x 2" | 1/2" x 2" | 1/2" x 2" | 5/8" x 2 1/4" | 5/8" x 2 1/4" | 3/4" x 2 1/2" | 3/4" x 2 1/2" | 3/4" x 2 1/2" | 3/4" x 2 1/2" | 3/4" x 2 1/2" | 3/4" x 2 1/2" | 3/4" x 2 1/2" | 3/4" x 2 1/2" | — | — | — | — | — | — | — | |
| W12x26 | 1/2" x 2" | 1/2" x 2" | 1/2" x 2" | 1/2" x 2" | 5/8" x 2 1/4" | 5/8" x 2 1/4" | 3/4" x 2 1/2" | 3/4" x 2 1/2" | 3/4" x 2 1/2" | 3/4" x 2 1/2" | 3/4" x 2 1/2" | 3/4" x 2 1/2" | 3/4" x 2 1/2" | 3/4" x 2 1/2" | 3/4" x 2 1/2" | — | — | — | — | — | — | |
| W14x30 | 1/2" x 2" | 1/2" x 2" | 1/2" x 2" | 1/2" x 2" | 5/8" x 2" | 5/8" x 2" | 3/4" x 2 1/4" | 3/4" x 2 1/4" | 3/4" x 2 1/4" | 3/4" x 2 1/4" | 3/4" x 2 1/4" | 3/4" x 2 1/4" | 3/4" x 2 1/4" | 3/4" x 2 1/4" | 3/4" x 2 1/4" | 3/4" x 2 1/4" | 3/4" x 2 1/4" | — | — | — | — | |
| W14x38 | 1/2" x 2" | 1/2" x 2" | 1/2" x 2" | 1/2" x 2" | 5/8" x 2 1/4" | 5/8" x 2 1/4" | 3/4" x 2 1/2" | 3/4" x 2 1/2" | 3/4" x 2 1/2" | 3/4" x 2 1/2" | 3/4" x 2 1/2" | 7/8" x 2 1/2" | 7/8" x 2 1/2" | 1" x 2 3/4" | 1" x 2 3/4" | 1" x 2 3/4" | 1" x 2 3/4" | 1" x 2 3/4" | 1" x 2 3/4" | 1" x 2 3/4" | 1" x 2 3/4" | 1" x 2 3/4" |
| W16x45 | — | 1/2" x 2" | 1/2" x 2" | 1/2" x 2" | 1/2" x 2" | 1/2" x 2" | 5/8" x 2 1/4" | 5/8" x 2 1/4" | 5/8" x 2 1/4" | 5/8" x 2 1/4" | 3/4" x 2 1/2" | 3/4" x 2 1/2" | 7/8" x 2 1/2" | 7/8" x 2 1/2" | 1" x 2 3/4" | 1" x 2 3/4" | 1" x 2 3/4" | 1" x 2 3/4" | 1" x 2 3/4" | 1" x 2 3/4" | 1" x 2 3/4" | 1" x 2 3/4" |



**ELEVATION
GROUND LINE & STUB POST**

** For all "Point 1" and "Point 2" locations, "Clearance Line" must be at or above top of stub post.

- ① Quantity includes all concrete necessary for one foundation.
- ② Includes reinforcement bars and spiral hooping for one foundation.

BAW-A-2

6-1-12

(Sheet 2 of 2)

LI ENGINEERING, LTD.
Consulting Engineers
Chatham, Illinois

| | | |
|--------------------------------------|------------------|-----------|
| USER NAME = ankneyde | DESIGNED - | REVISED - |
| | DRAWN - | REVISED - |
| PLOT SCALE = 10.000' / 1" | CHECKED - | REVISED - |
| PLOT DATE = Fri May 15 14:25:58 2013 | DATE - 3/12/2013 | REVISED - |

**STATE OF ILLINOIS
DEPARTMENT OF TRANSPORTATION**

**BREAK-AWAY WIDE FLANGE
STEEL SIGN POST TABLES**

| | | | | |
|---|---------|--------|--------------|-----------|
| F.A.I. RTE. | SECTION | COUNTY | TOTAL SHEETS | SHEET NO. |
| * | ** | *** | 290 | 204 |
| CONTRACT NO. 64D23 | | | | |
| FED. ROAD DIST. NO. ILLINOIS FED. AID PROJECT | | | | |