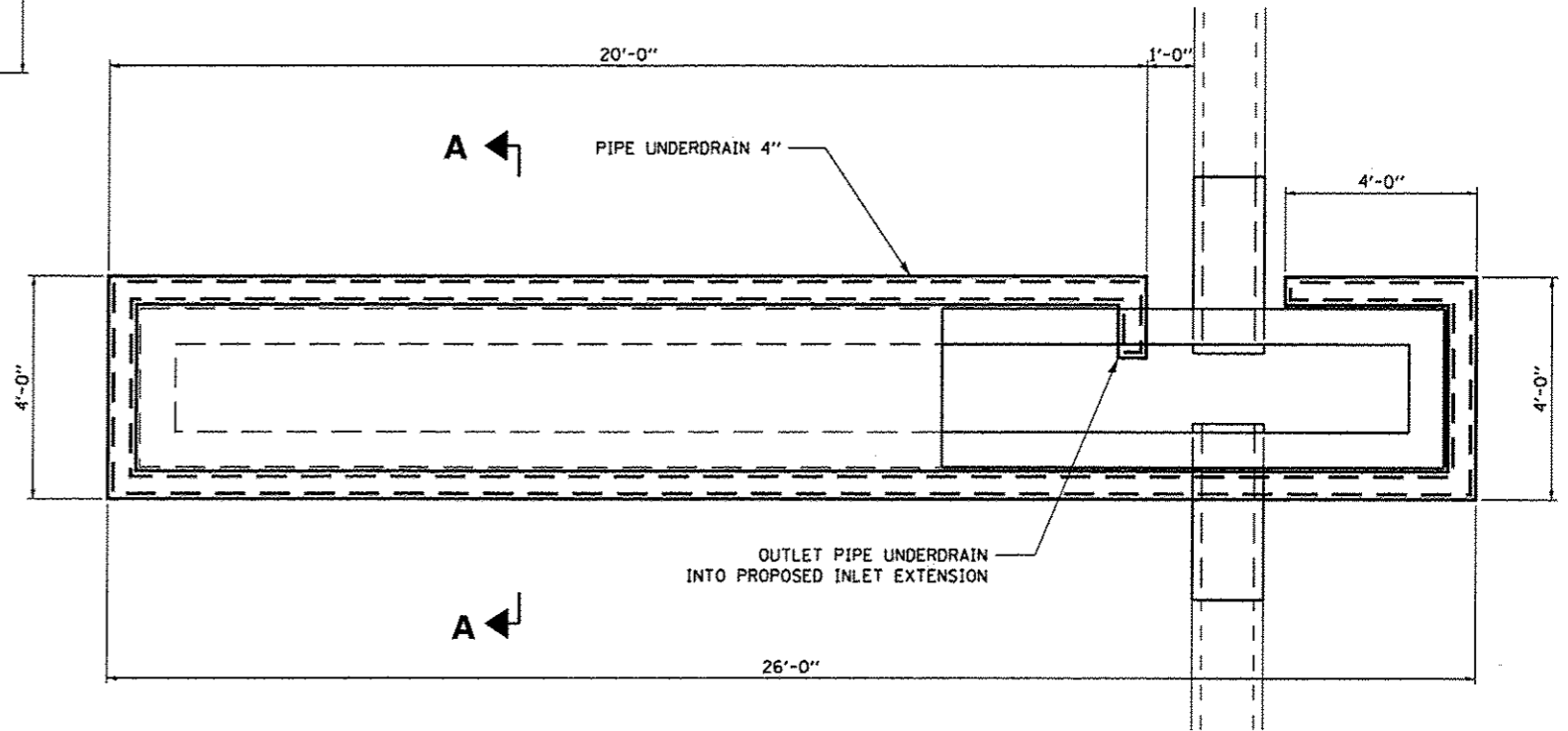
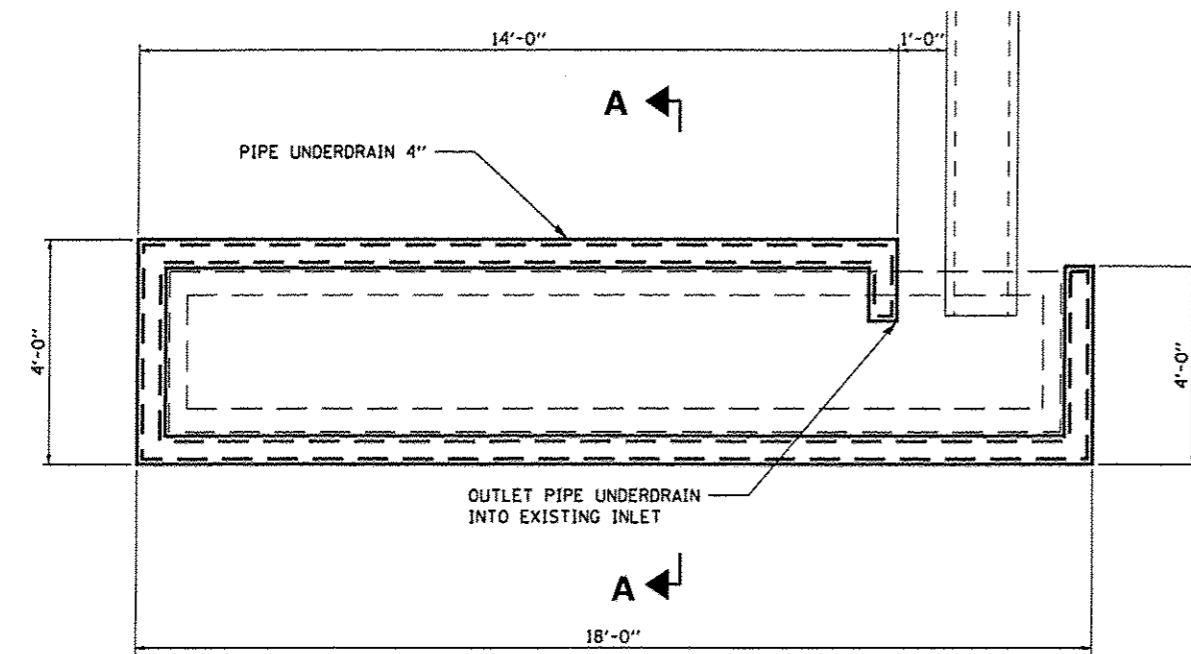


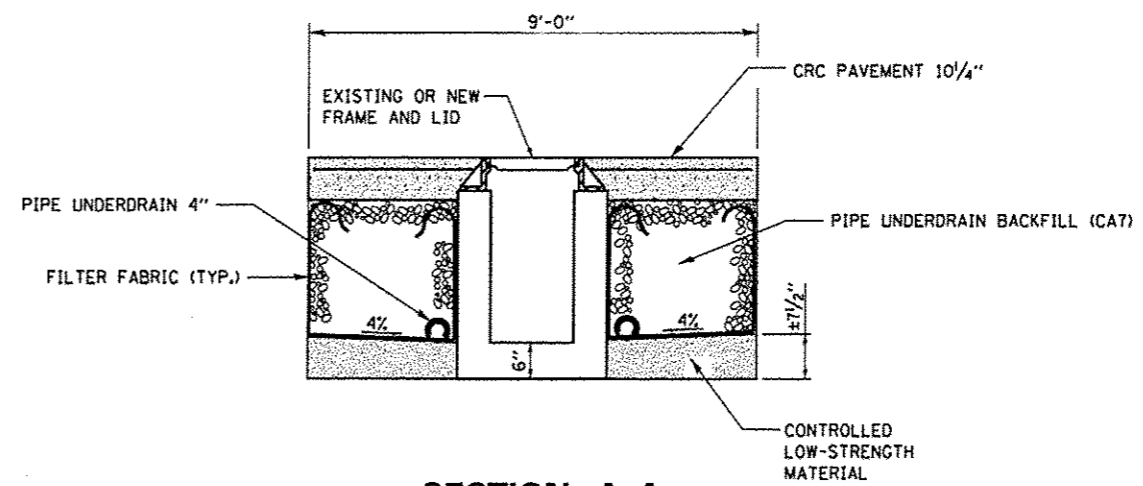
**PLAN  
DRAINAGE STRUCTURE S1**



**PLAN  
DRAINAGE STRUCTURE S2**



**PLAN  
DRAINAGE STRUCTURE S3**



**SECTION A-A**

FILE NAME =	USER NAME = woodhankr1	DESIGNED - RW	REVISED -
c:\pwwork\pwwork\woodhankr1\08313137\066C49-ahs-detail.dgn	66C49-ahs-detail.dgn	DRAWN - RW	REVISED -
	PLOT SCALE = 1/8" = 1' / in.	CHECKED -	REVISED -
	PLOT DATE = 12/11/2012	DATE -	REVISED -

STATE OF ILLINOIS  
DEPARTMENT OF TRANSPORTATION

**DRAINAGE STRUCTURE PIPE UNDERDRAIN  
FOR STRUCTURE S1**

SCALE: SHEET NO. 1 OF 1 SHEETS STA. TO STA.

F.A.I. RTE.	SECTION	COUNTY	TOTAL SHEETS	SHEET NO.
80	(06-4)RA-6	BUREAU	13	9
CONTRACT NO. 66C49			ILLINOIS FED. AID PROJECT	