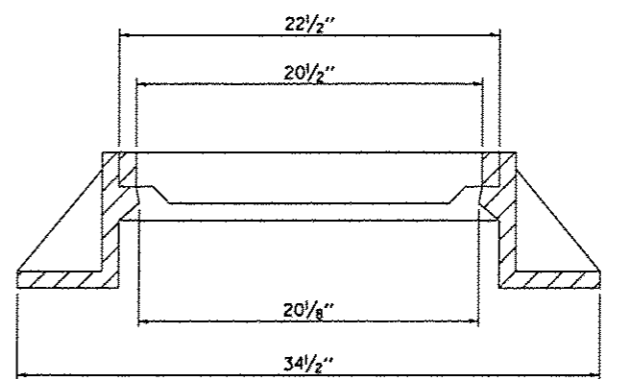
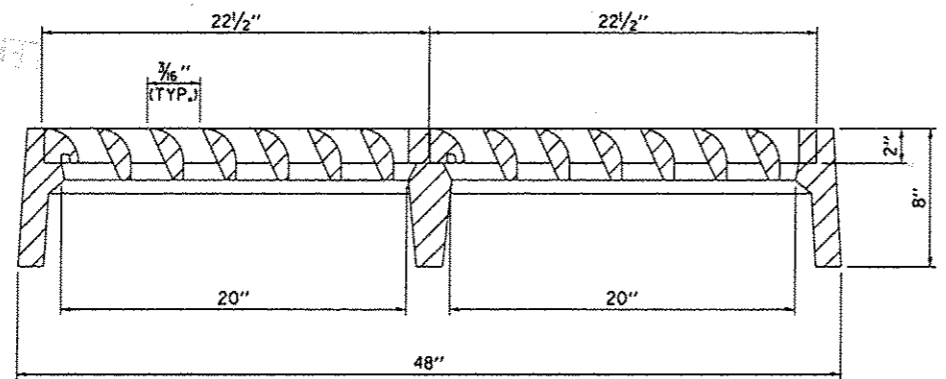
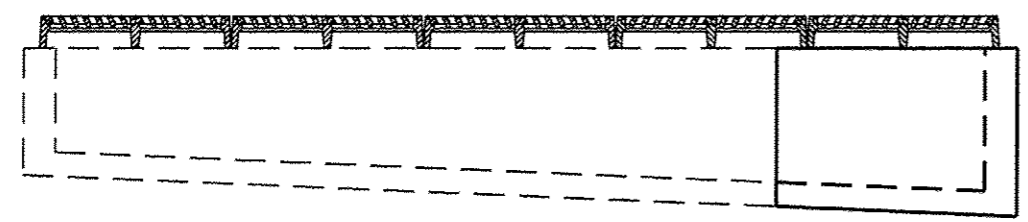


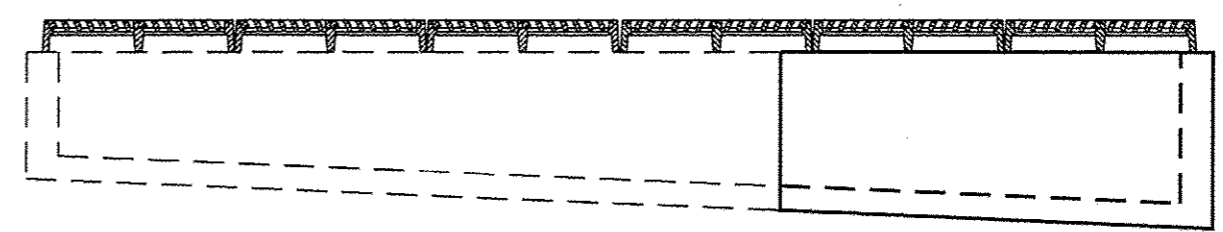
FB 0 8 3012



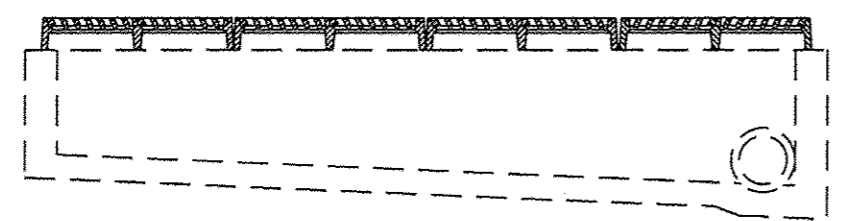
**FRAME AND GRATES**  
**NEENAH FRAME AND GRATE NO. R-3527-M OR EQUIVALENT**



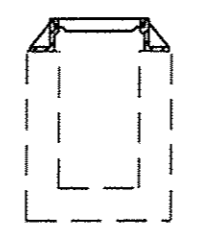
**PLAN S1**



**PLAN S2**



**PLAN S3**



**END VIEW**  
(TYPICAL)

FILE NAME =	USER NAME = woodshankr1	DESIGNED -	REVISED -	<b>STATE OF ILLINOIS</b> <b>DEPARTMENT OF TRANSPORTATION</b>	<b>FRAME AND LID, SPECIAL</b>	F.A.I. RTE.	SECTION	COUNTY	TOTAL SHEETS	SHEET NO.
c:\pwwork\pwwork\woodshankr1\d8313137\066C49-ehd-details.dgn	DRAWN -	REVISED -	80			(06-4)RA-6	BUREAU	13	13	
PLOT SCALE = 100.0 1" / in.	CHECKED -	REVISED -	CONTRACT NO. 66C49							
PLOT DATE = 12/4/2012	DATE -	REVISED -	ILLINOIS FED. AID PROJECT							
*MODELNAME*				SCALE:	SHEET 1 OF 1 SHEETS	STA.	TO STA.			