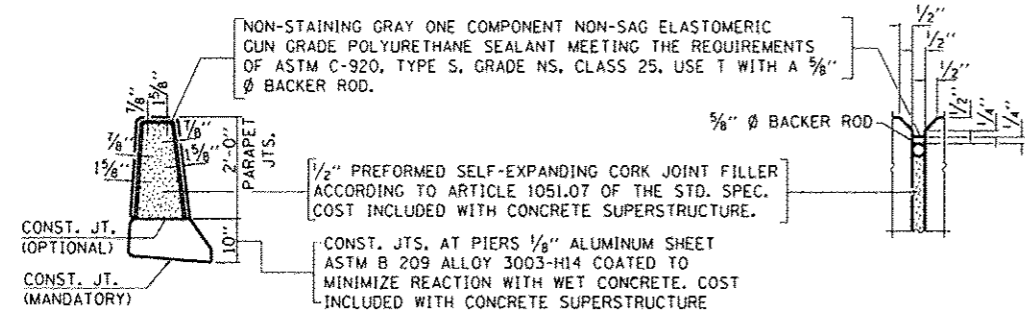
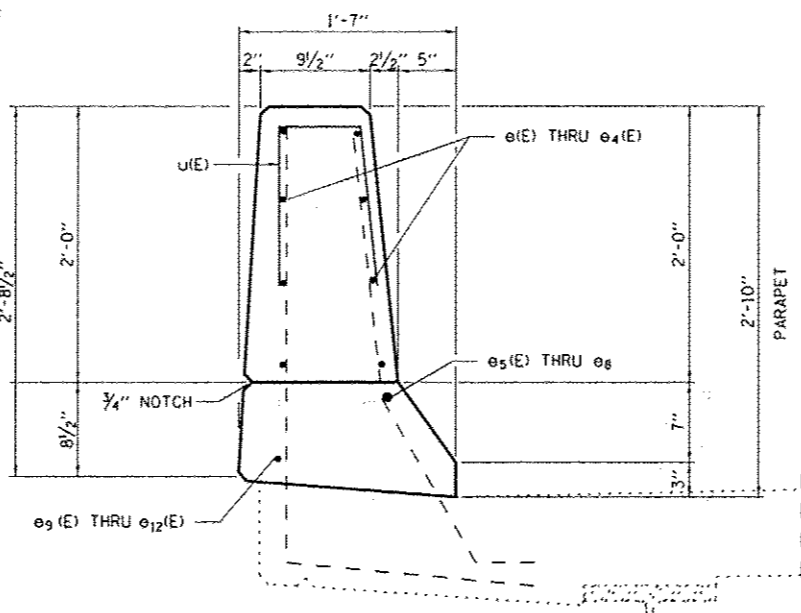


**ELEVATION**

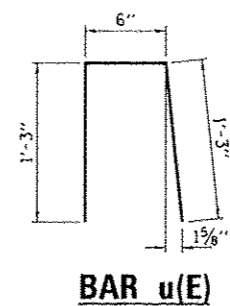
NORTH PARAPET SHOWN, SOUTH PARAPET SIMILAR THRU 180° ROTATION ABOUT C ROADWAY



**PARAPET JOINT DETAILS**



**SECTION THRU PARAPET**



**BAR u(E)**

**BILL OF MATERIAL FOR TWO PARAPETS**

BAR	NO.	SIZE	LENGTH	SHAPE	
e1(E)	16	#4	15'-9"	—	
e1(E)	96	#4	19'-9"	—	
e2(E)	64	#4	14'-4"	—	
e3(E)	80	#4	16'-6"	—	
e4(E)	16	#4	14'-5"	—	
e5(E)	6	#8	28'-11"	—	
e6(E)	8	#8	14'-4"	—	
e7(E)	6	#8	25'-0"	—	
e8(E)	6	#8	28'-6"	—	
e9(E)	6	#4	26'-9"	—	
e10(E)	8	#4	14'-3"	—	
e11(E)	6	#4	22'-6"	—	
e12(E)	6	#4	26'-3"	—	
u(E)	294	#5	3'-0"	—	
CONCRETE REMOVAL				CU YD	59.4
CONCRETE SUPERSTRUCTURE				CU YD	64.4
REINFORCEMENT BARS EPOXY COATED				POUND	6000