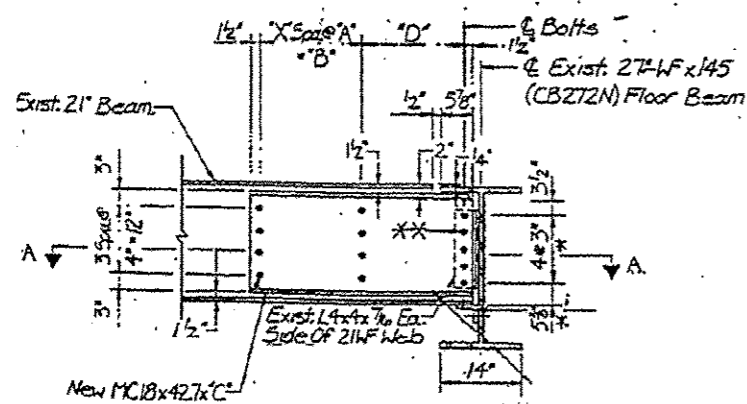
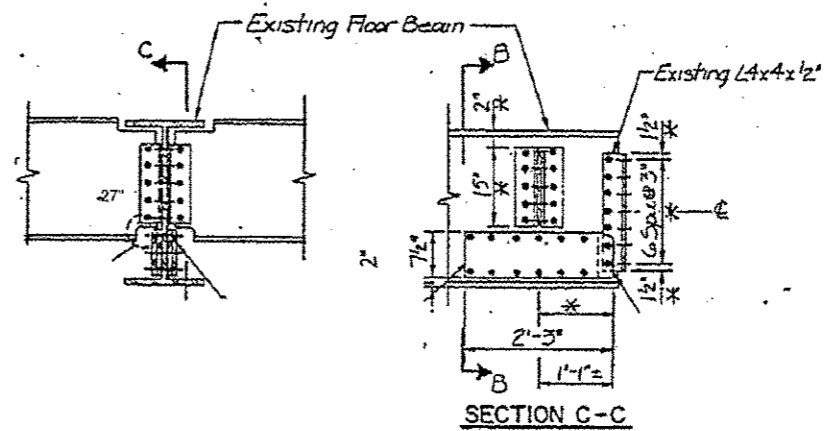
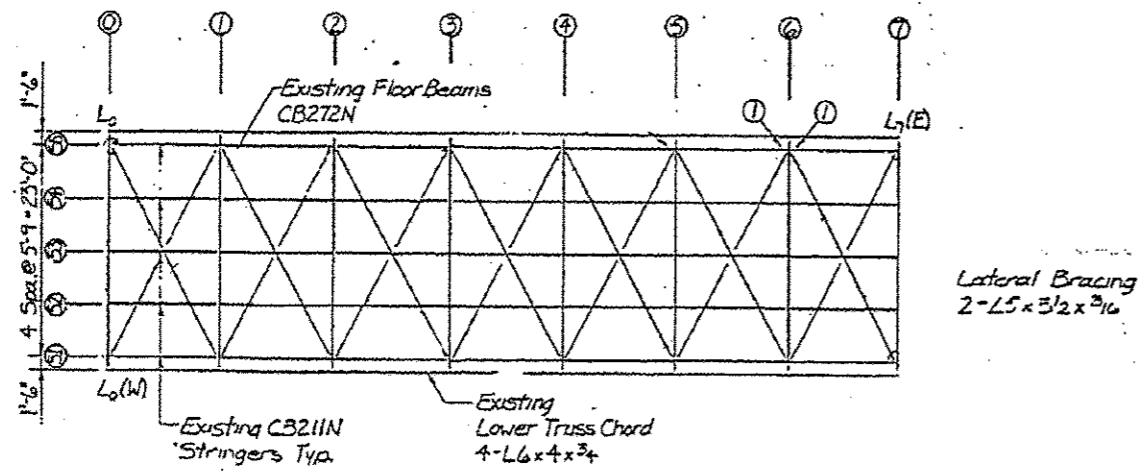
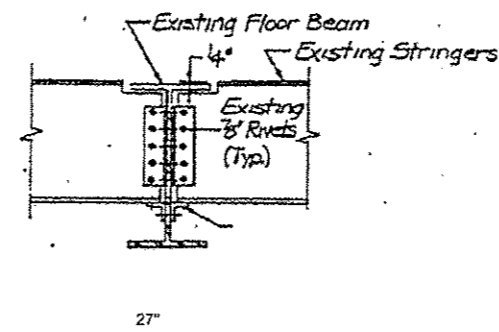
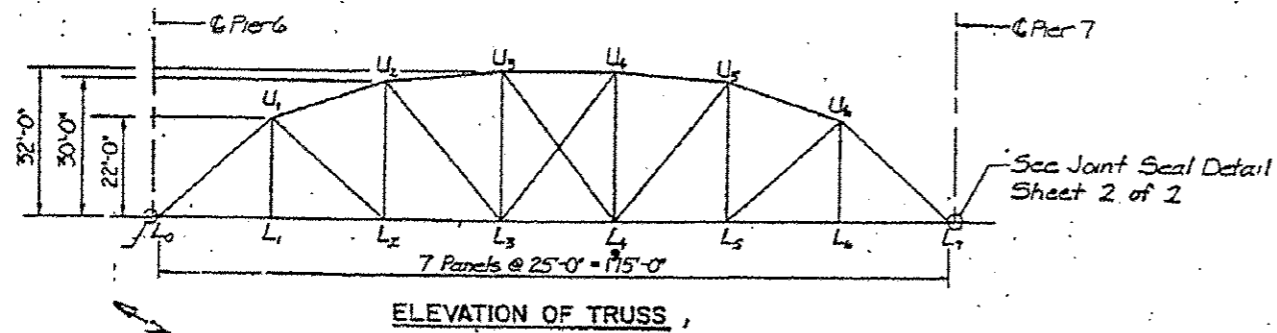
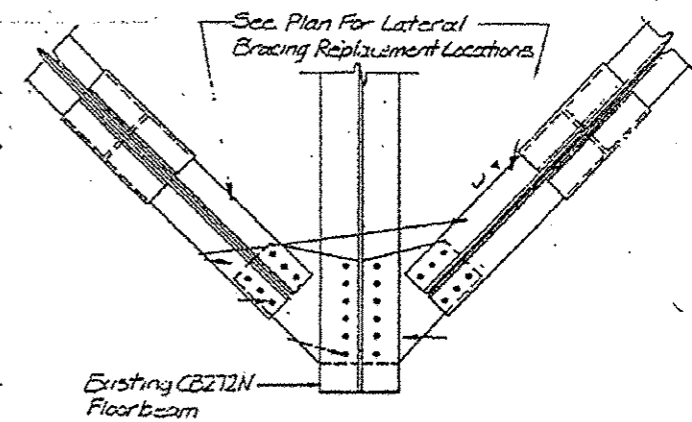
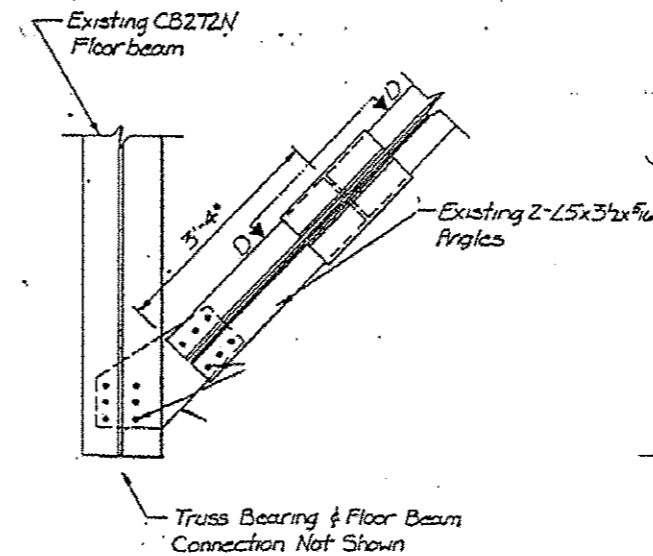


# LOCATION 5 S.N. 090-0087

# INFORMATION ONLY



\* Contractor To Field Verify Or Field Measure Dimensions



FILE NAME : April 2013 bridge painting.dgn	USER NAME : TOM INGLIS	DESIGNED - TOM INGLIS	REVISED -
		DRAWN - TOM INGLIS	REVISED -
		CHECKED - NICK JACK	REVISED -
		DATE - 2/6/13	REVISED -

STATE OF ILLINOIS  
DEPARTMENT OF TRANSPORTATION

LOCATION 5 FRAMING PLAN

SCALE: N/A SHEET OF SHEETS STA. TO STA.

F.A. RTE.	SECTION	COUNTY	TOTAL SHEETS	SHEET NO.
VAR	D4 BRIDGE PAINTING 2012	various	21	15
CONTRACT NO. 68B26				
[ILLINOIS] FED. AID PROJECT				