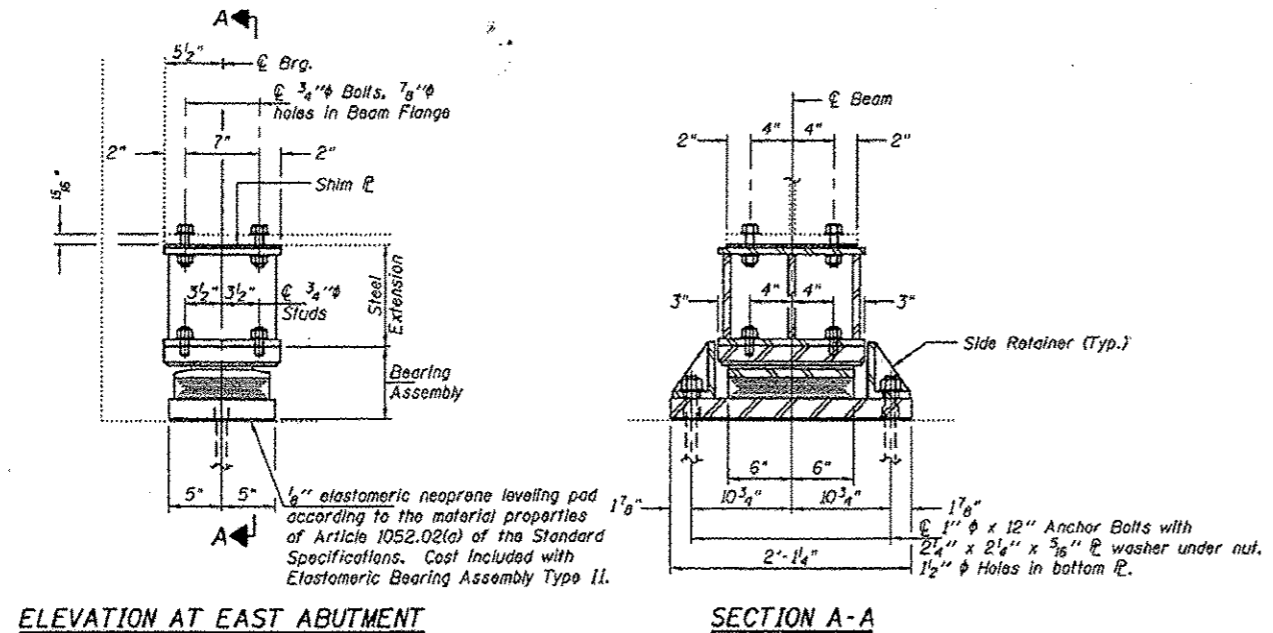


LOCATION 6 S.N. 072-0134

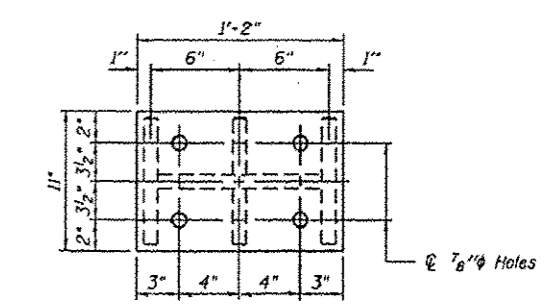
INFORMATION ONLY



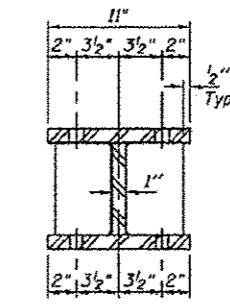
ELEVATION AT EAST ABUTMENT

SECTION A-A

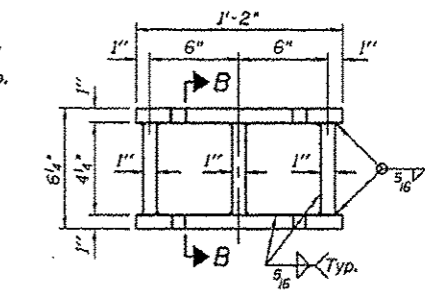
TYPE II TFE ELASTOMERIC EXP. BRG.



PLAN TOP AND BOTTOM PLATE

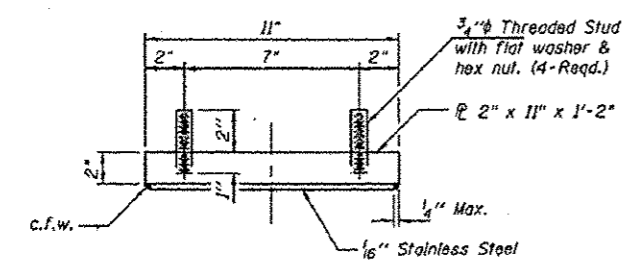


SECTION B-B

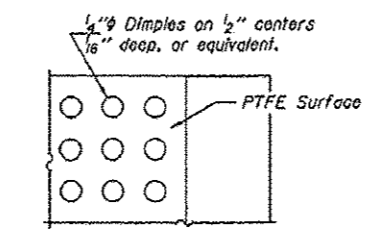


STEEL EXTENSION DETAIL

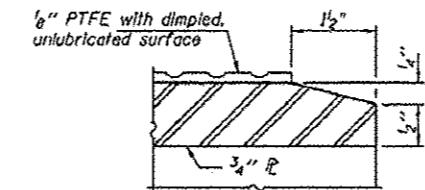
New East Abutment Bearings replaced 2011



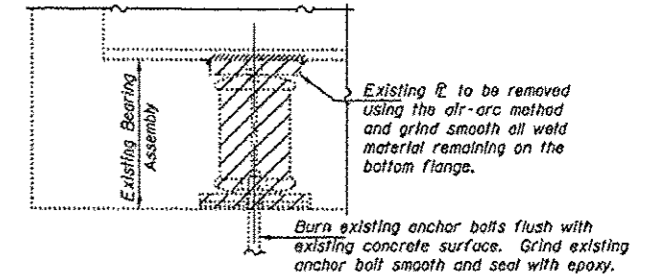
TOP BEARING ASSEMBLY



PLAN-PTFE SURFACE

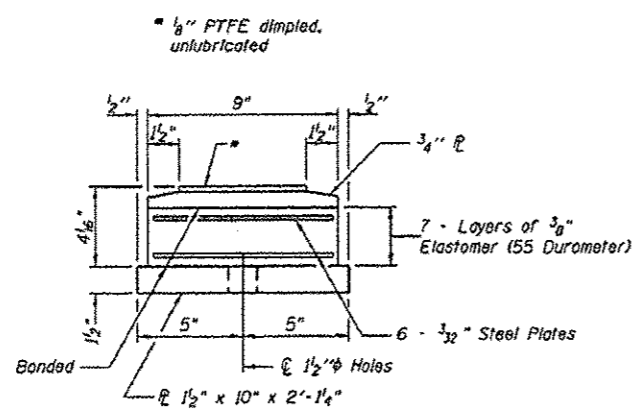


SECTION THRU PTFE

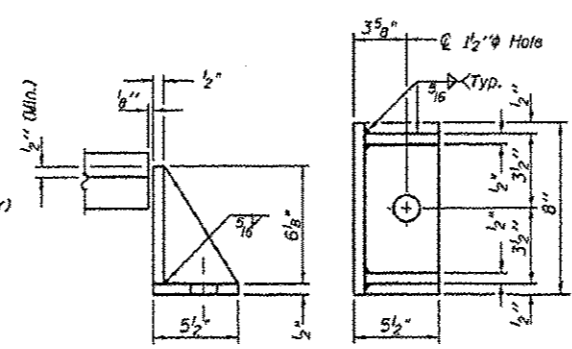


EXISTING BEARING REMOVAL DETAIL

Cost Included with Jack and Remove Existing Bearings.

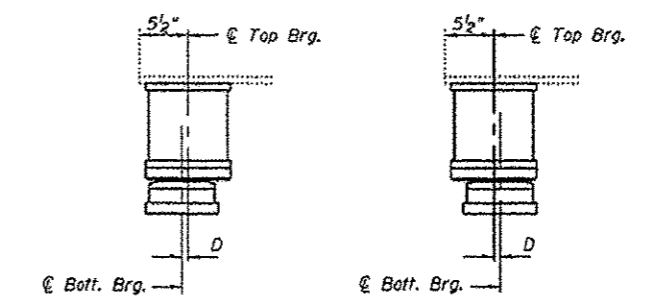


BOTTOM BEARING ASSEMBLY



SIDE RETAINER

Equivalent rolled angle with stiffeners will be allowed in lieu of welded plates



SETTING ANCHOR BOLTS AT EXP. BRG.
D = 1/8 inch per each 100 degrees of expansion for every 15 degrees temp.

BILL OF MATERIAL		
Item	Unit	Total
Elastomeric Bearing Assembly, Type II	Each	19
Jack and Remove Existing Bearings	Each	19
Furnishing and Erecting Structural Steel	Pound	2,710
Anchor Bolts 1 1/2 inch	Each	38