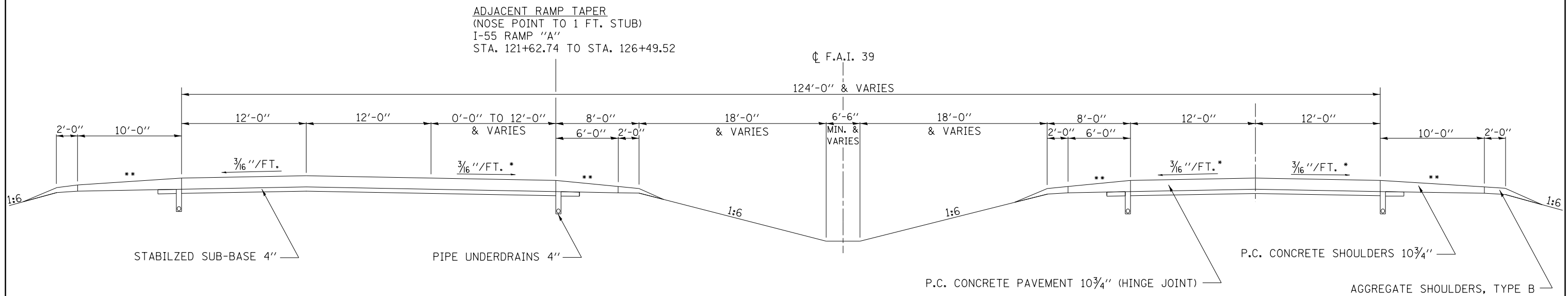


EXISTING TYPICAL SECTION F.A.I. 39

STA. 125 + 77.61 TO STA. 144 + 50.00



- * SLOPE VARIES FOR SUPERELEVATION IN CURVES
- ** SLOPE VARIES IN SUPERELEVATION WITH MAXIMUM OF 0.08 FT/FT DIFFERENCE

FILE NAME =	USER NAME = kedasar	DESIGNED -	REVISED -	STATE OF ILLINOIS DEPARTMENT OF TRANSPORTATION	EXISTING TYPICAL SECTION			F.A.I. RTE.	SECTION	COUNTY	TOTAL SHEETS	SHEET NO.
et:\pwork\pwork\kedasar\d0329897\0570980-sht-plans.dgn	PLOT SCALE = 40.0000' / in.	DRAWN -	REVISED -					39	D5 PATCHING 2013-4	McLean	19	6
	PLOT DATE = 1/24/2013	CHECKED -	REVISED -		SCALE:			SHEET NO. 1 OF 5 SHEETS	STA.	TO STA.	CONTRACT NO. 70854	
		DATE -	REVISED -		ILLINOIS FED. AID PROJECT							