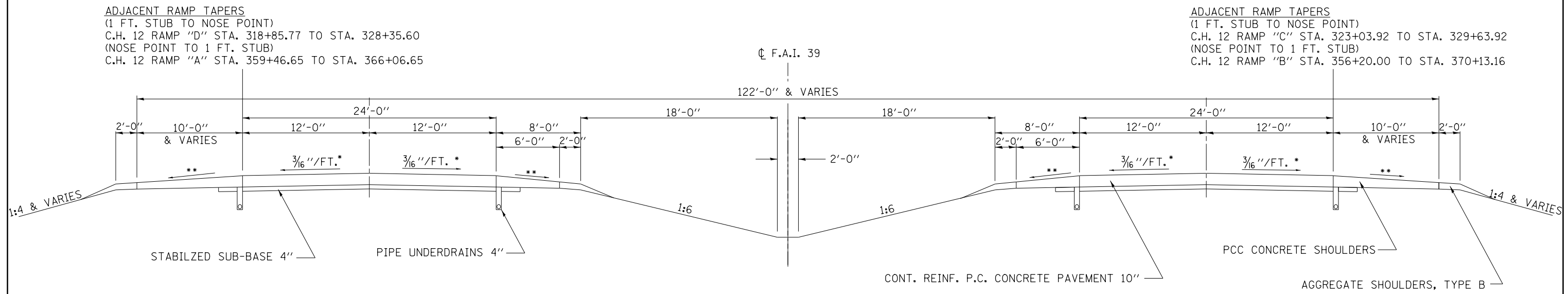


EXISTING TYPICAL SECTION F.A.I. 39

STA. 235 + 00.00 TO STA. 377 + 24.54

STATION EQUATION

STA. 377 + 24.54 (BK.) =
STA. 377 + 00.00 (AH.)



* SLOPE VARIES FOR SUPERELEVATION IN CURVES
** SLOPE VARIES IN SUPERELEVATION WITH MAXIMUM OF 0.08 FT/FT DIFFERENCE

FILE NAME =	USER NAME = kedaser	DESIGNED -	REVISED -	STATE OF ILLINOIS DEPARTMENT OF TRANSPORTATION	EXISTING TYPICAL CROSS SECTIONS			F.A.I. RTE.	SECTION	COUNTY	TOTAL SHEETS	SHEET NO.
ci:\pw\work\p\dot\kedaser\d0329897\0570980-sht-plans.dgn	PLOT SCALE = 40.0000' / in.	DRAWN -	REVISED -					39	D5 PATCHING 2013-4	McLEAN	19	8
\$MODELNAME\$	PLOT DATE = 1/24/2013	CHECKED -	REVISED -		SCALE: SHEET 3 OF 5 SHEETS STA. TO STA.			CONTRACT NO. 70980				
		DATE -	REVISED -		ILLINOIS FED. AID PROJECT							