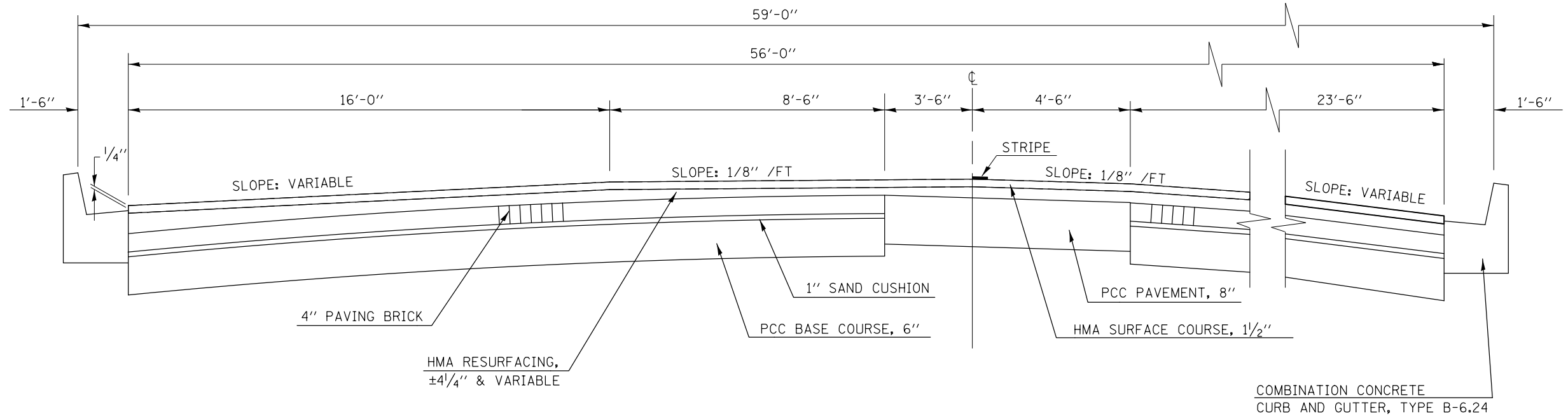


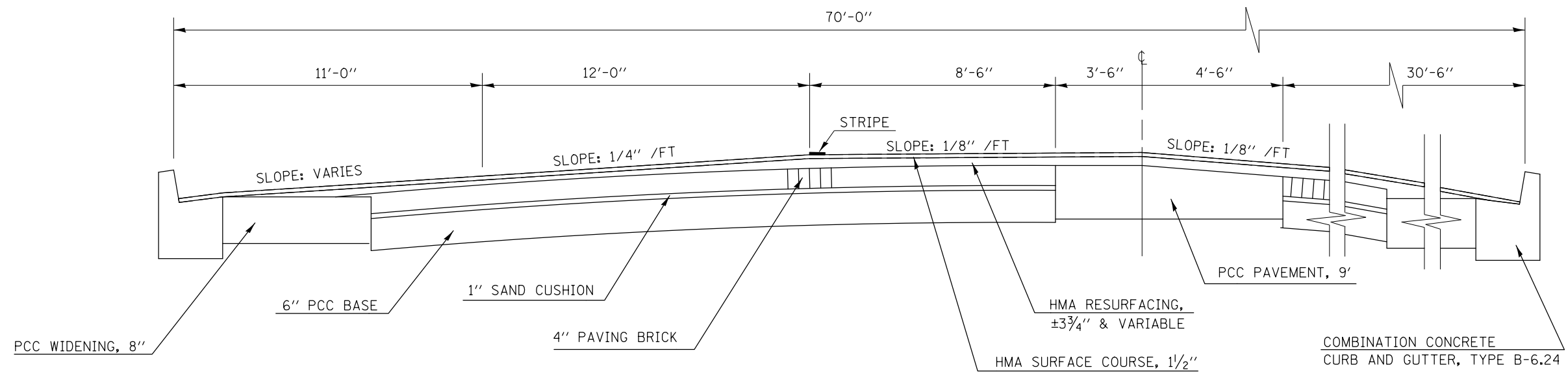
③ **EXISTING TYPICAL CROSS SECTION / LOCATION #2**

STATION TO STATION
938+59.00 939+76.00 ④



④ **EXISTING TYPICAL CROSS SECTION / LOCATION #2**

STATION TO STATION
③ 939+76.00 943+62.00 ⑤



* D5 CRACK & JOINT SEAL 2013-2

FILE NAME =	USER NAME = bakercr	DESIGNED -	REVISED -	STATE OF ILLINOIS DEPARTMENT OF TRANSPORTATION	EXISTING TYPICAL CROSS SECTION LOCATION #2			F.A. RTE.	SECTION	COUNTY	TOTAL SHEETS	SHEET NO.
et:\pw\work\p\idot\bakercr\d0327161\057082-sh1-typcal.dgn	PLOT SCALE = 40.0000' / in.	DRAWN -	REVISED -					VAR.	*	VARIES	36	17
*MODELNAME#	PLOT DATE = 1/28/2013	CHECKED -	REVISED -		SCALE: SHEET 2 OF 3 SHEETS STA. TO STA.			CONTRACT NO. 70982				
		DATE -	REVISED -		ILLINOIS FED. AID PROJECT							