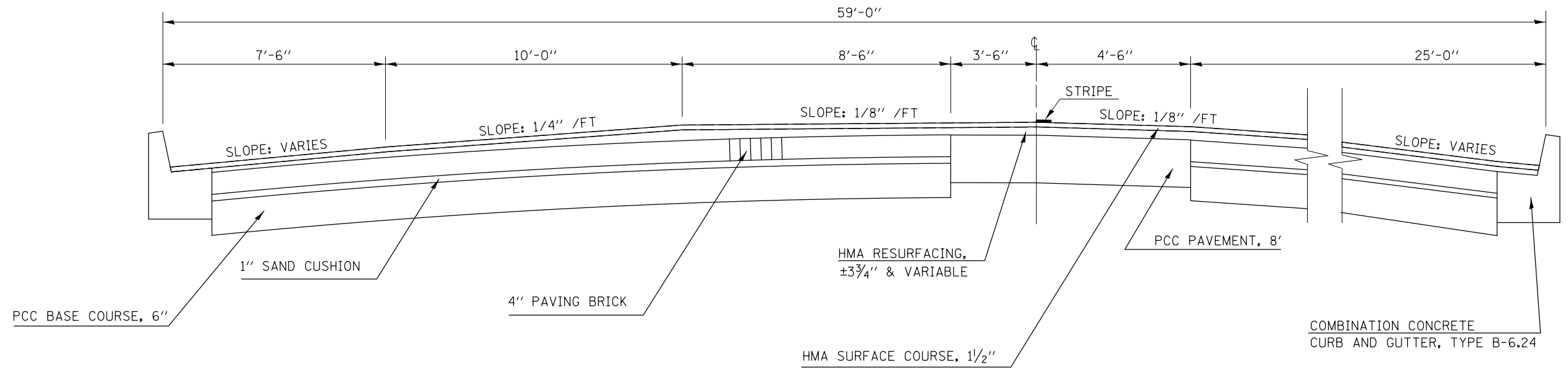


⑤ **EXISTING TYPICAL CROSS SECTION / LOCATION #2**

STATION TO STATION
④ 943+62.00 947+08.00 ①



⑥ **EXISTING TYPICAL CROSS SECTION / LOCATION #2**

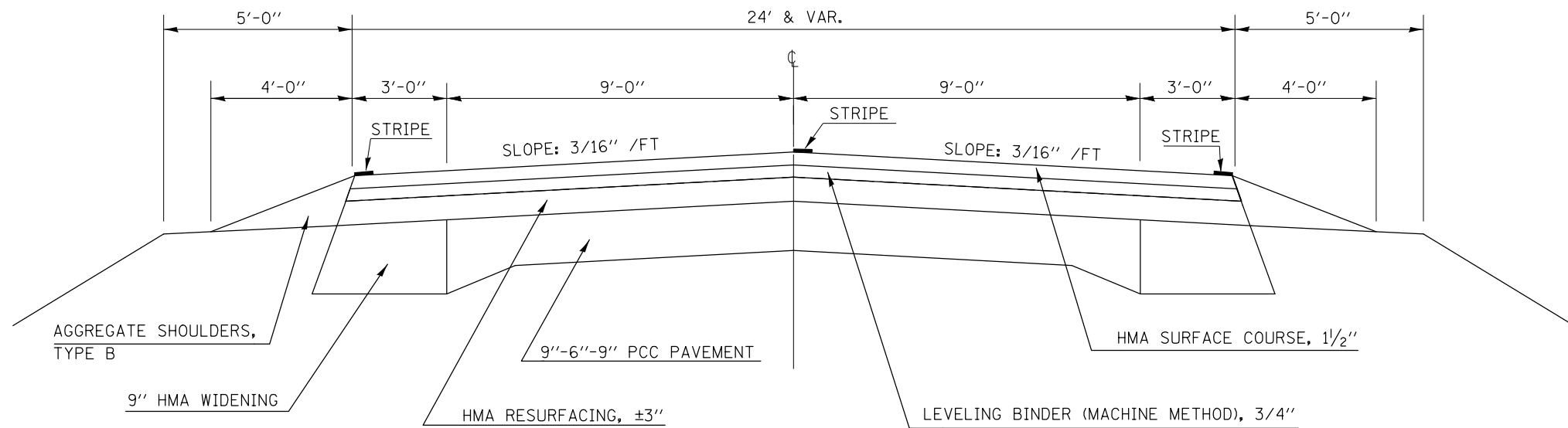
STATION TO STATION
① 956+24.40 1215+12.00

STATION EQUATION:
STA. 1091+94.50 (BK) =
STA. 1092+00.00 (AH)

STRUCTURE OMISSIONS:

S.N. 010-0280
STA. 1012+80.00 TO STA. 1017+62.00

S.N. 010-8101
STA. 1133+65.00 TO STA. 1133+93.00



* D5 CRACK & JOINT SEAL 2013-2

FILE NAME =	USER NAME = bakercr	DESIGNED -	REVISED -	STATE OF ILLINOIS DEPARTMENT OF TRANSPORTATION	EXISTING TYPICAL CROSS SECTION LOCATION #2	F.A. RTE.	SECTION	COUNTY	TOTAL SHEETS	SHEET NO.	
ci:\pwork\pwork\dot\bakercr\d0327161\05780\02-sh-t-typical.dgn	PLOT SCALE = 40.0000' / in.	DRAWN -	REVISED -			VAR.	*	VARIES	36	18	
#MODELNAME#	PLOT DATE = 1/28/2013	CHECKED -	REVISED -			CONTRACT NO. 70982					
		DATE -	REVISED -			SCALE:	SHEET 3 OF 3 SHEETS	STA.	TO STA.	ILLINOIS FED. AID PROJECT	