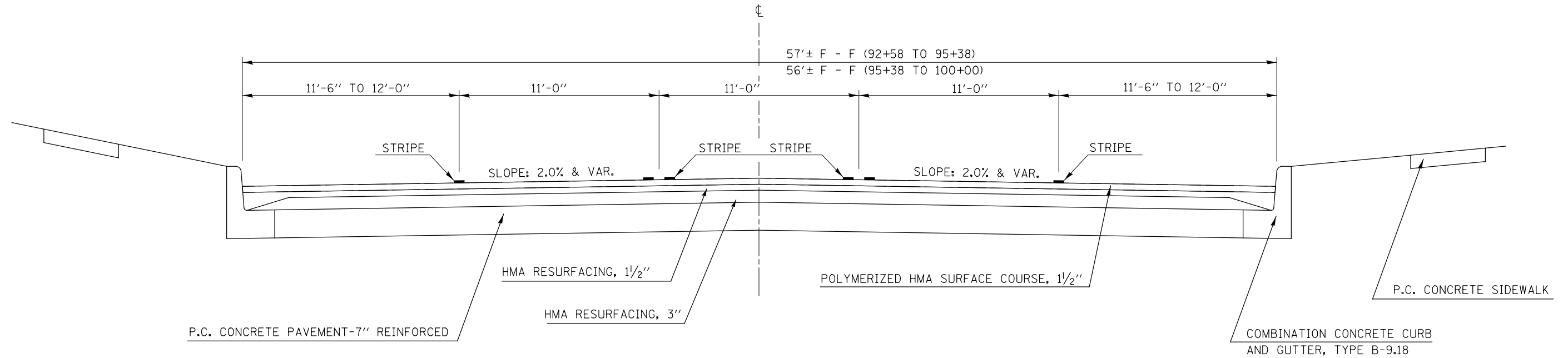


① **EXISTING TYPICAL CROSS SECTION / LOCATION #8**

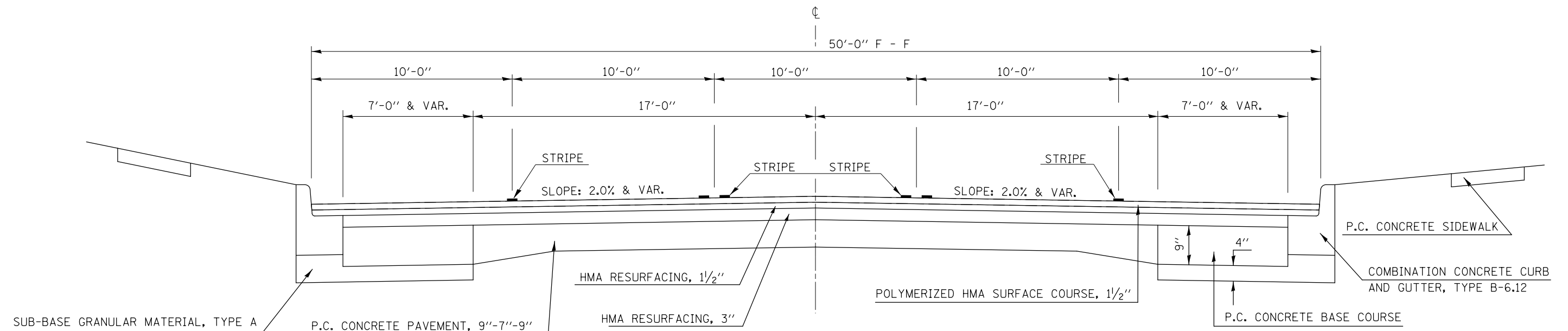
STATION TO STATION
94+56.00 TO 100+00.00 ②



② **EXISTING TYPICAL CROSS SECTION / LOCATION #8**

STATION TO STATION
① 100+00.00 TO ③ 101+35.00
③ 112+28.00 TO ④ 130+41.00
④ 138+62.00 TO ④ 150+50.00

RAILROAD OMISSION:
STA. 121+61.37 TO STA. 122+11.37



* D5 CRACK & JOINT SEAL 2013-2

FILE NAME =	USER NAME = bakercr	DESIGNED -	REVISED -	STATE OF ILLINOIS DEPARTMENT OF TRANSPORTATION	EXISTING TYPICAL CROSS SECTION LOCATION #8			F.A. RTE.	SECTION	COUNTY	TOTAL SHEETS	SHEET NO.
et:\pw\work\p\dot\bakercr\d0327161\057082-sh-t-typcal.dgn		DRAWN -	REVISED -		SCALE:	SHEET 1	OF 2 SHEETS	STA.	TO STA.	VARIES	36	27
		CHECKED -	REVISED -							CONTRACT NO. 70982		
*MODELNAME#	PLOT DATE = 1/28/2013	DATE -	REVISED -							ILLINOIS FED. AID PROJECT		