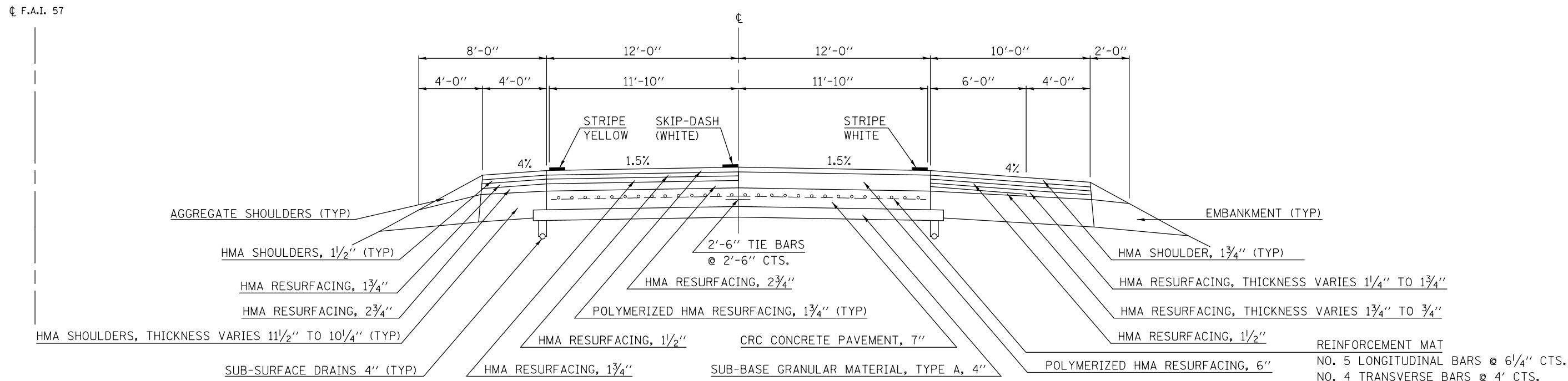


EXISTING TYPICAL SECTION ⑦ NORTHBOUND LANES

LOCATION #1

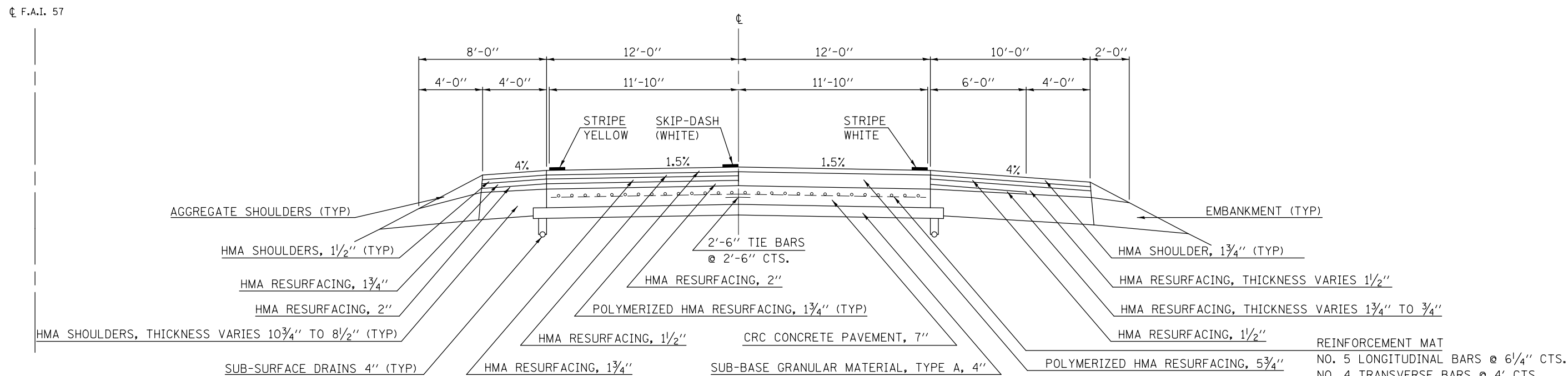
STATION I/O STATION
⑥ 623+36.00 637+33.00 ⑨



EXISTING TYPICAL SECTION ⑧ SOUTHBOUND LANES

LOCATION #1

STATION I/O STATION
⑥ 623+36.00 637+33.00 ⑩



FILE NAME =	USER NAME = coombessf	DESIGNED -	REVISED -	STATE OF ILLINOIS DEPARTMENT OF TRANSPORTATION	TYPICAL CROSS SECTIONS			F.A.I. RTE.	SECTION	COUNTY	TOTAL SHEETS	SHEET NO.				
		DRAWN -	REVISED -		SCALE:	SHEET	OF	SHEETS	STA.	TO	STA.	57&74	D5 PATCHING 2013-5	.	24	12
		CHECKED -	REVISED -									CONTRACT NO. 70986				
#MODELNAME#	PLOT DATE = 1/31/2013	DATE -	REVISED -									ILLINOIS FED. AID PROJECT				