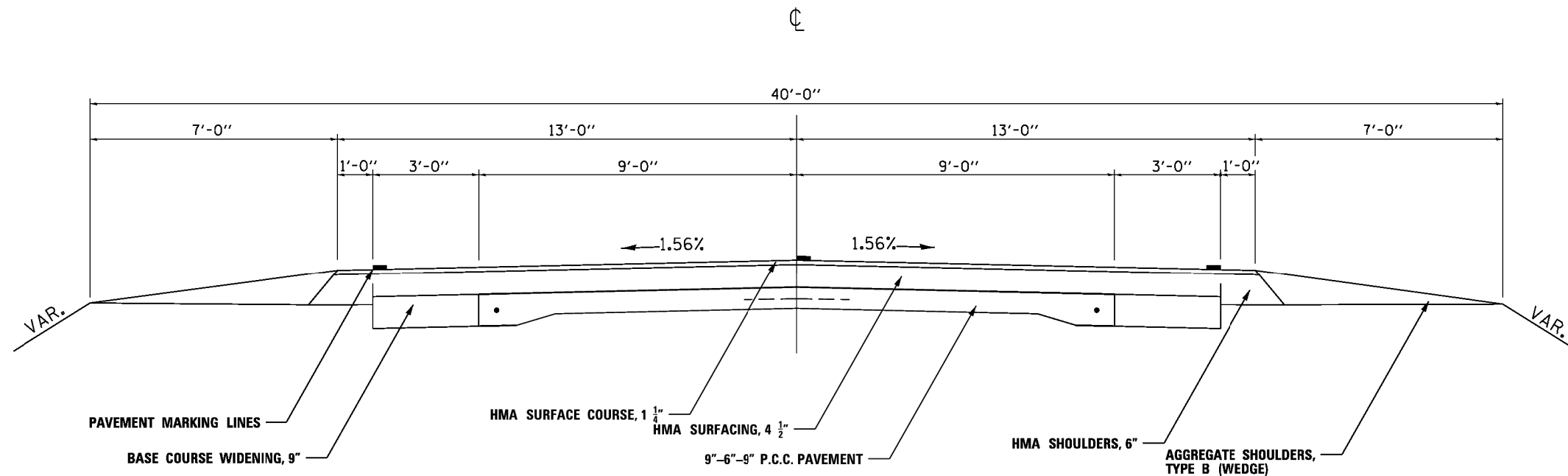


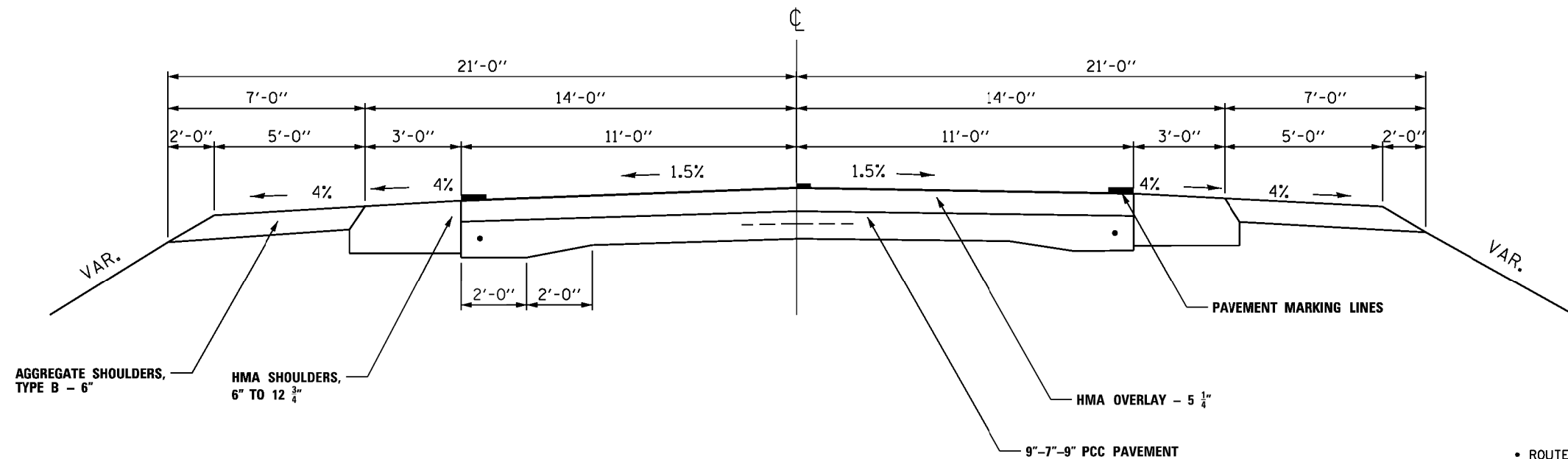
EXISTING TYPICAL SECTION

LOCATION #1 (S.N. 021-8028)
 FAP 749 (IL 133)
 STA. 158+45.50 TO STA. 243+00.00



EXISTING TYPICAL SECTION

LOCATION #2 (S.N. 092-0130)
 FAP 332 (IL 1)
 STA. 831+00.00 TO STA. 1084+50.00



• ROUTES FAP 749 (IL 133) & FAP 332 (IL 1)
 •• POSTING MITIGATION FY2013-1
 ••• DOUGLAS / VERMILION

FILE NAME =	USER NAME = jeymedf	DESIGNED -	REVISED - -	STATE OF ILLINOIS DEPARTMENT OF TRANSPORTATION	TYPICAL SECTIONS			F.A. RTE.	SECTION	COUNTY	TOTAL SHEETS	SHEET NO.
ci:\pwork\pwork\jeymedf\d0318412\0570411-sh-t-typico1.dgn		DRAWN - DFJ	REVISED - -		•	••	•••	17	5			
PLOT SCALE = 40.0000' / in.		CHECKED -	REVISED - -		CONTRACT NO. 70A11			ILLINOIS FED. AID PROJECT				
PLOT DATE = 1/22/2013		DATE - 12/20/12	REVISED - -		SCALE:	SHEET NO. 01 OF 01 SHEETS	STA.	TO STA.				