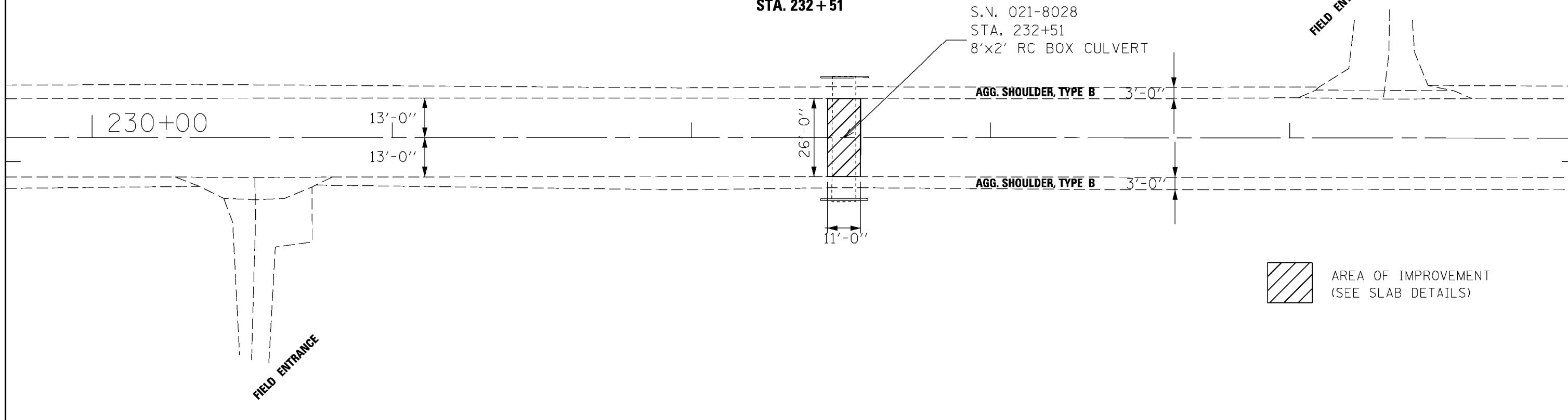


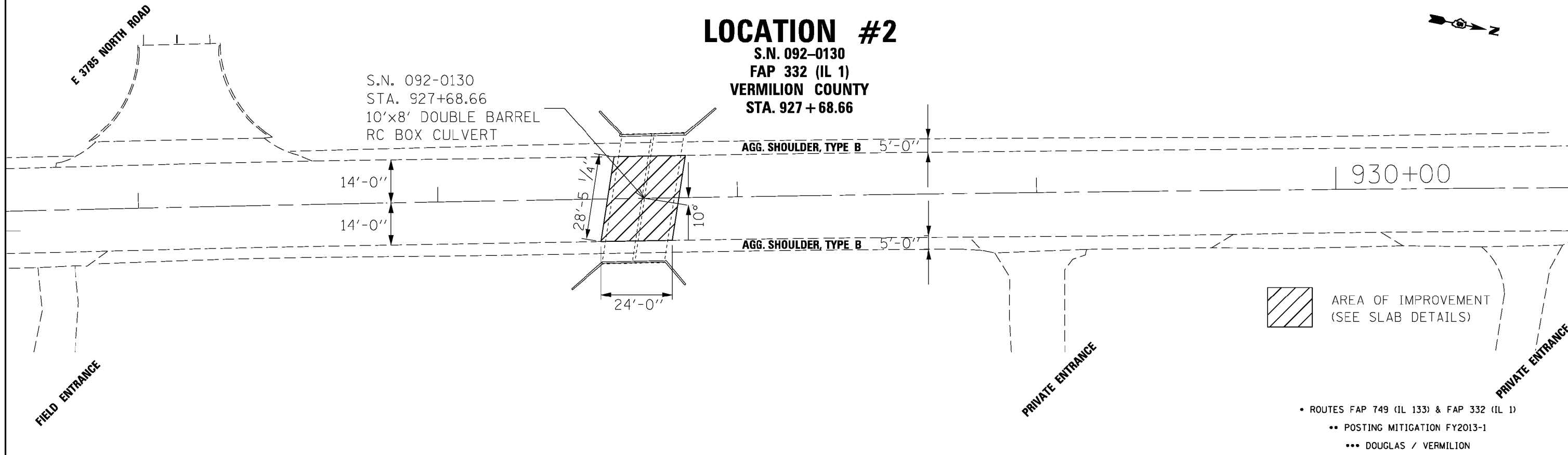
# LOCATION #1

S.N. 021-8028  
 FAP 749 (IL 133)  
 DOUGLAS COUNTY  
 STA. 232 + 51



# LOCATION #2

S.N. 092-0130  
 FAP 332 (IL 1)  
 VERMILION COUNTY  
 STA. 927 + 68.66



• ROUTES FAP 749 (IL 133) & FAP 332 (IL 1)  
 •• POSTING MITIGATION FY2013-1  
 ••• DOUGLAS / VERMILION

FILE NAME =	USER NAME = jeymedf	DESIGNED -	REVISED -
ci:\pwork\pwork\jeymedf\d0318412\0570411-sht-plen.dgn		DRAWN - DFJ	REVISED -
*MODELNAME*	PLOT SCALE = 100.0000' / 1" =	CHECKED -	REVISED -
	PLOT DATE = 1/22/2013	DATE - 12/20/12	REVISED -

STATE OF ILLINOIS  
 DEPARTMENT OF TRANSPORTATION

PLAN SHEET			
LOCATION # 1 & LOCATION # 2			
SCALE:	SHEET 01	OF 01 SHEETS	STA. TO STA.

F.A. RTE.	SECTION	COUNTY	TOTAL SHEETS	SHEET NO.
.	..	...	17	6
CONTRACT NO. 70A11			ILLINOIS FED. AID PROJECT	