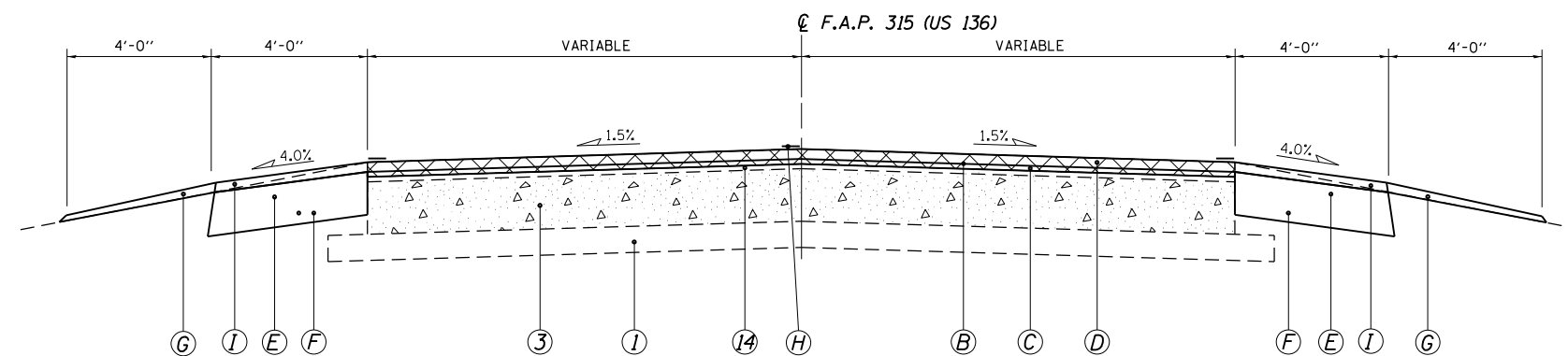


TYPICAL SECTION #13
 STA. 0+08.20 TO STA. 5+00.00



TYPICAL SECTION #14
 IL 29 (SOUTH LEG)
 STA. 667+94.00 TO STA. 670+82.00

TYPICAL SECTION #14
 IL 29 (NORTH LEG)
 STA. 521+90.00 TO STA. 524+20.00

LEGEND

- ① EX. SUB-BASE GRANULAR MATERIAL 4"
- ② EX. P.C.C. PAVEMENT 9"-6"-9"
- ③ EX. P.C.C. BASE COURSE 8"
- ④ EX. P.C.C. BASE COURSE WIDENING, 8"
- ⑤ EX. BITUMINOUS BASE COURSE 4 1/2"
- ⑥ EX. BITUMINOUS BASE COURSE WIDENING, 9"
- ⑦ EX. BITUMINOUS SHOULDER 8"
- ⑧ EX. AGGREGATE SHOULDERS, TYPE B
- ⑨ EX. P.C.C. CURB & GUTTER, TYPE B6.24 (MODIFIED)
- ⑩ EX. P.C.C. CURB & GUTTER, TYPE B6.12 (MODIFIED)
- ⑪ EX. BITUMINOUS CONCRETE LEVELING BINDER 1 1/2"
- ⑫ EX. BITUMINOUS OVERLAY, VARIABLE DEPTH
- ⑬ EX. P.C.C. SIDEWALK, 4"
- ⑭ EX. CONC. BINDER COURSE, VARIABLE DEPTH
- (A) PROP. BITUMINOUS CONCRETE SURFACE REMOVAL, VARIABLE DEPTH (3/4" @ CENTERLINE)
- (B) PROP. BITUMINOUS CONCRETE SURFACE REMOVAL, 2 1/4"
- (C) PROP. LEVELING BINDER (MACHINE METHOD), N70, 3/4"
- (D) PROP. HMA SURFACE COURSE, MIX C, N70, 1 1/2"
- (E) PROP. HMA SHOULDERS, 6 1/2"
- (F) PROP. EXCAVATING & GRADING SHOULDER (INCLUDES MILLING OUT EXISTING HMA SHOULDERS)
- (G) PROP. AGGREGATE WEDGE SHOULDER, TYPE B
- (H) PROP. PAVEMENT MARKING - LINE 5"
- (I) PROP. HMA SHOULDERS, 1 1/2" (MIX "C", N70)
- (J) PROP. PAVEMENT MARKING - LINE 6"
- (K) PROP. HMA SURFACE REMOVAL, 1 1/2"

| | | | |
|---|------------------------------------|-----------------|---------------|
| FILE NAME = | USER NAME = sparksgw | DESIGNED - ML | REVISED - RTS |
| et:\pw\work\p\dot\sparksgw\10239760\067 | EE03-sht-typicol.dgn | DRAWN - ML | REVISED - |
| | PLOT SCALE = 100.0000' / 1" | CHECKED - RTS | REVISED - |
| | PLOT DATE = Dec-14-2012 12:00:50PM | DATE - 06-04-12 | REVISED - |

STATE OF ILLINOIS
DEPARTMENT OF TRANSPORTATION

TYPICAL SECTIONS

SCALE: SHEET NO. 8 OF 8 SHEETS STA. TO STA.

| F.A.P. RTE. | SECTION | COUNTY | TOTAL SHEETS | SHEET NO. |
|--------------------|----------------------------|--------|---------------------------|-----------|
| 315 | (HRS-2, (124)RS-3, (116)RS | MASON | 62 | 30 |
| CONTRACT NO. 72E03 | | | ILLINOIS FED. AID PROJECT | |