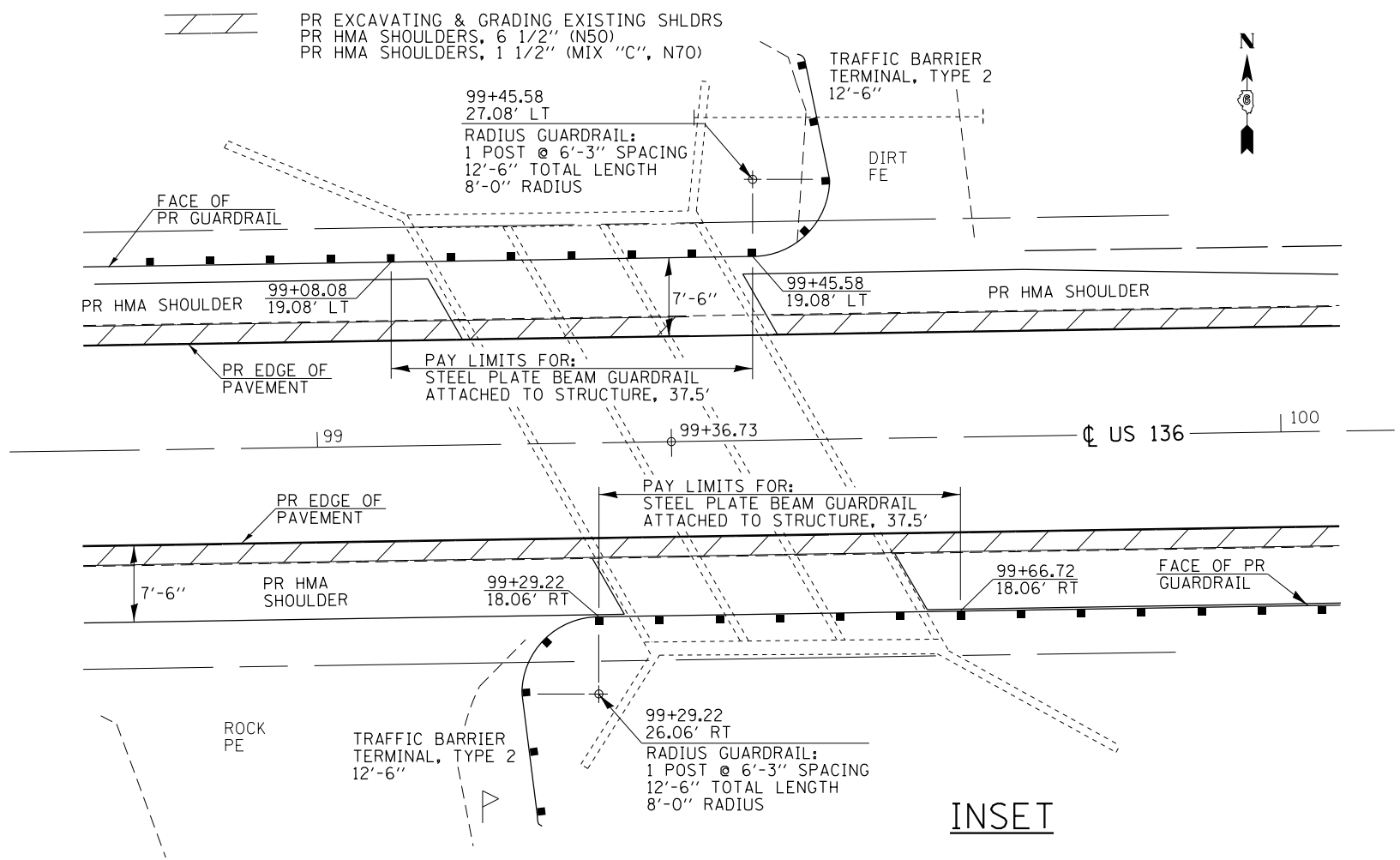
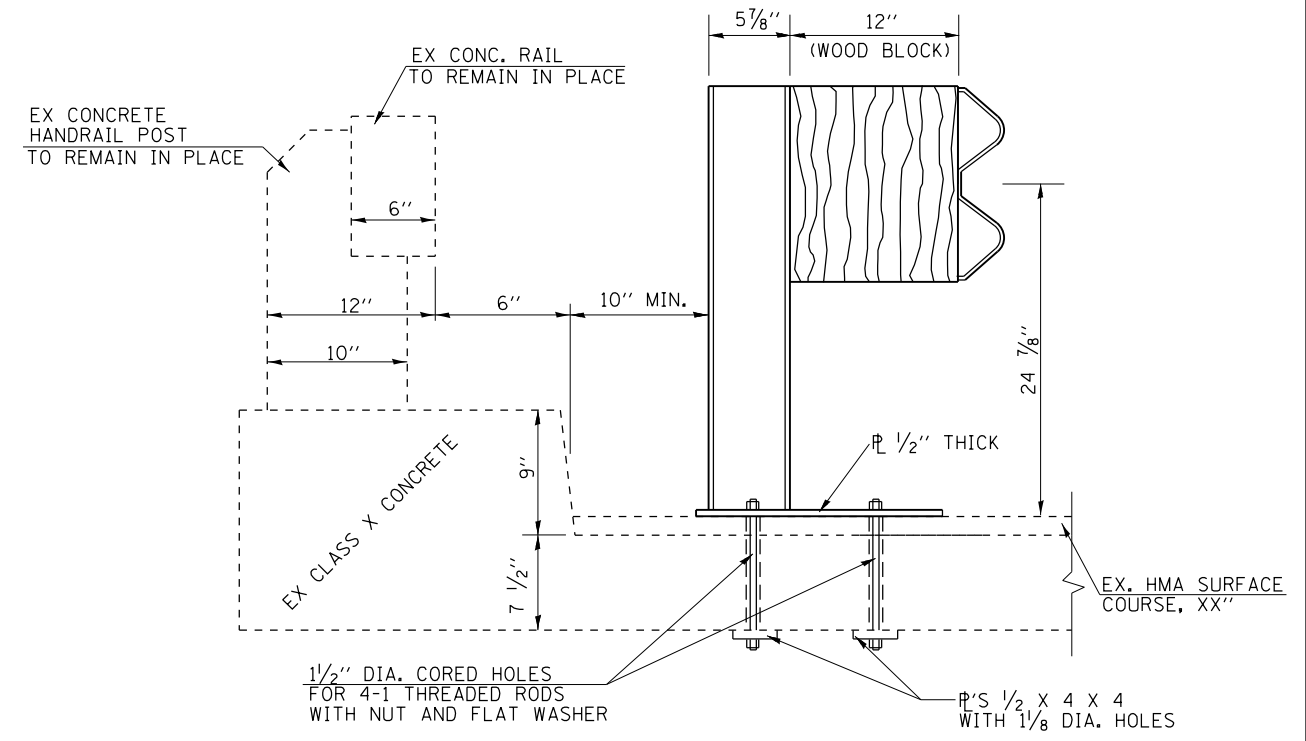


NOTE:
PROPOSED GUARDRAIL LENGTH OF NEED WAS BASED ON A
DESIGN SPEED OF 60 MPH & A RUN-OUT LENGTH OF 210'



INSET



PROPOSED GUARDRAIL MOUNTED ON EXISTING CULVERT DETAIL

FILE NAME = c:\pw\work\p\midot\sparksgw\102239760\0672E03-sht-details.1.dgn	USER NAME = sparksgw	DESIGNED - ML	REVISED - RTS	STATE OF ILLINOIS DEPARTMENT OF TRANSPORTATION	GUARDRAIL DETAILS			F.A.P. R.T.E.	SECTION	COUNTY	TOTAL SHEETS	SHEET NO.	
Default	PLOT SCALE = 200.0000' / in.	DRAWN - ML	REVISED -		SCALE:	SHEET 2 OF 2 SHEETS	STA.	TO STA.	315	(HRS-3, (124)RS-2, (116)RS	MASON	62	62
	PLOT DATE = Dec-14-2012 12:01:05PM	CHECKED - RTS	REVISED -						CONTRACT NO. 72E03				
		DATE - 09-26-12	REVISED -						ILLINOIS FED. AID PROJECT				