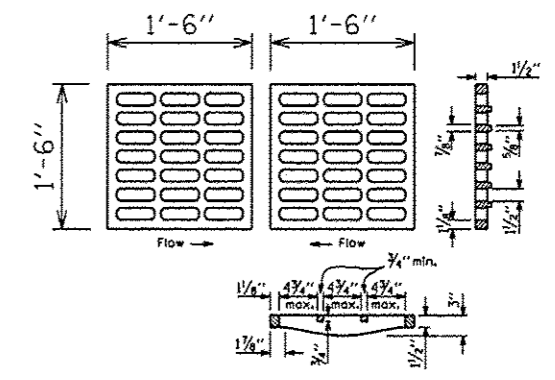
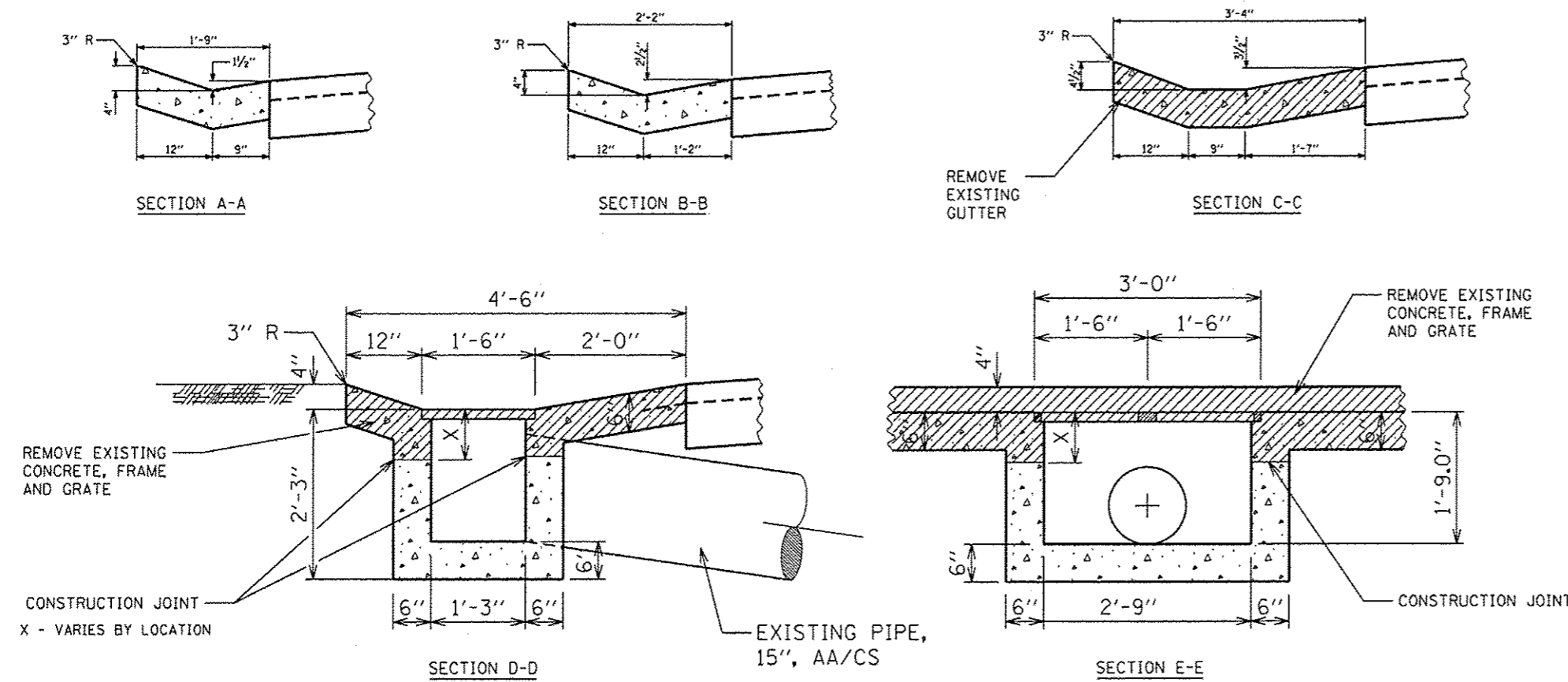


EXISTING STANDARD 1795

DOUBLE OUTLET TYPE 1



NOTE:

- EXISTING DOUBLE GUTTER OUTLET W/ 2 TY. B GRATES AND INLET DEPTH OF 1'-9" INSTALLED @ FOLLOWING STATIONS : (EXST. STD. 1795)

697+89	LT.	968+88	LT.
706+50	LT.	978+50	LT.
716+25	LT.	983+25	LT.
763+50	LT.	994+50	LT.
939+75	LT.	1038+10	LT.
943+75	LT.	1094+50	LT.
- IF THE AVG. GRADE OF PAVT. OF THE DISTANCE A-D EXCEEDS 2%, THIS DISTANCE WAS INCREASED 6 FT. FOR EACH 1% INCREASE IN GRADE.

