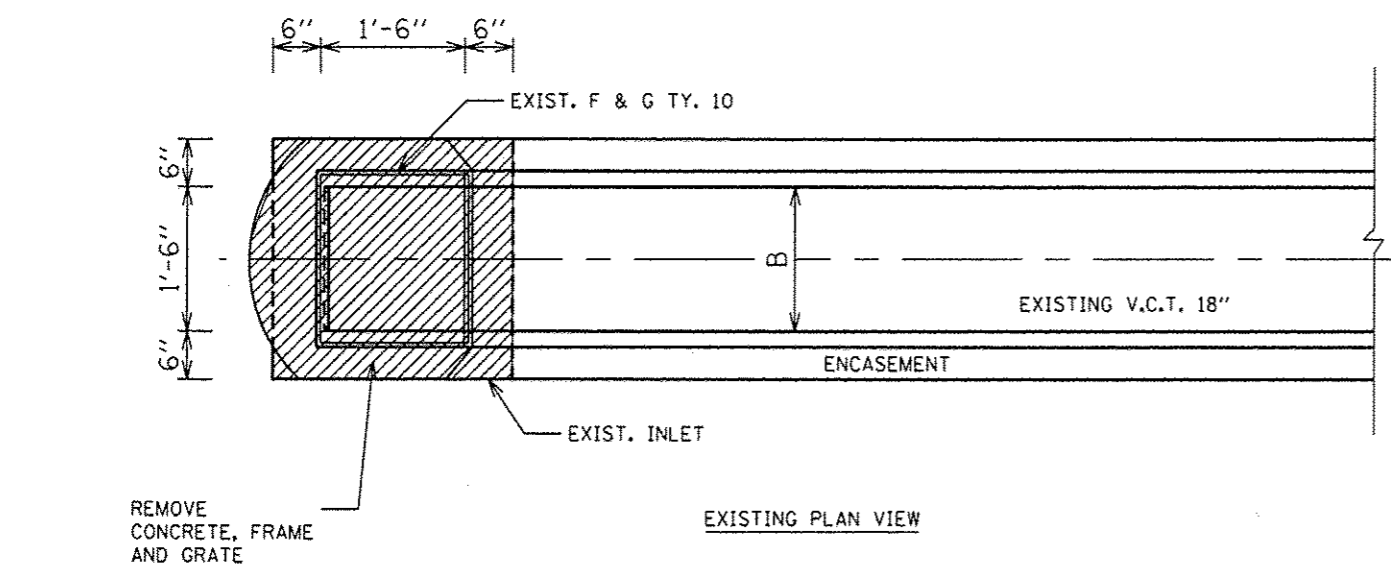
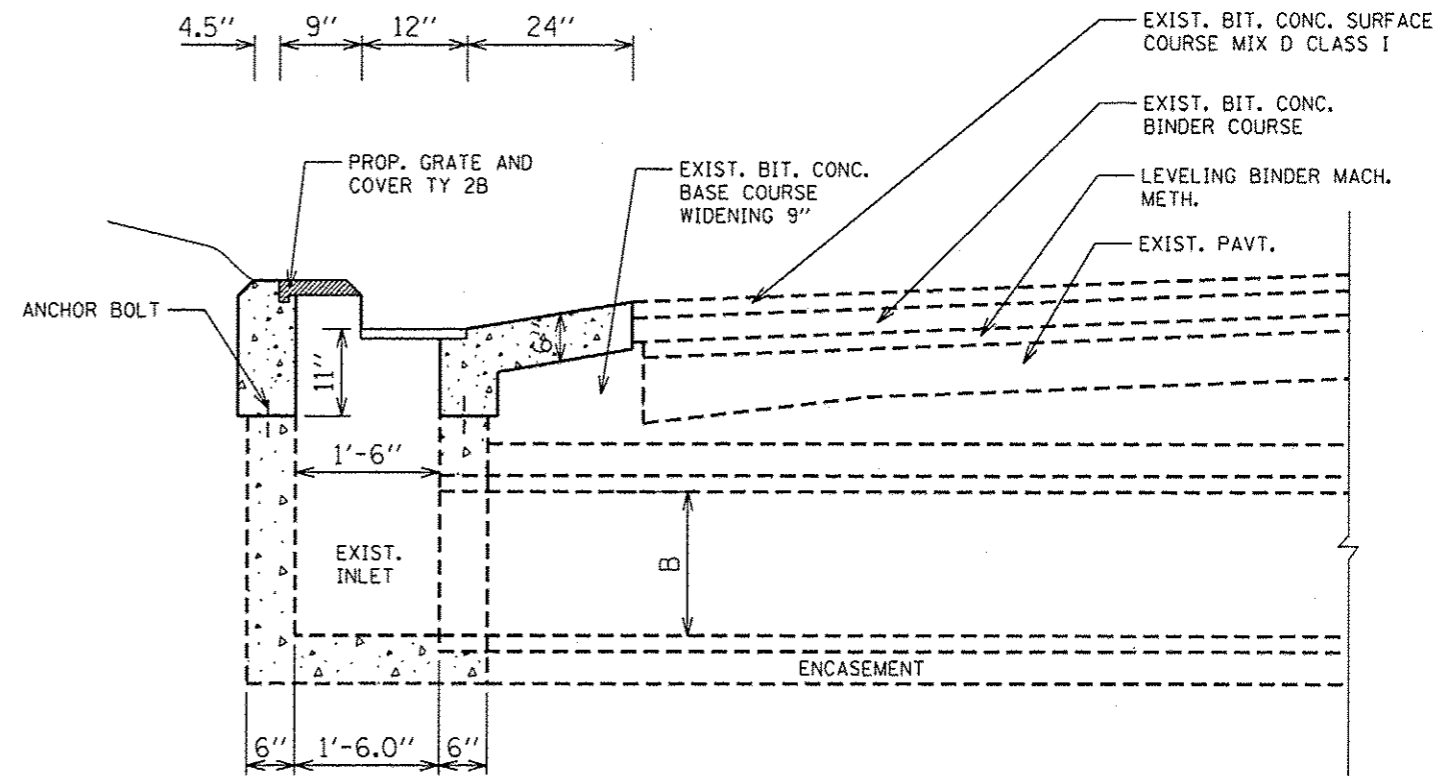


EXISTING SECTION THROUGH CENTERLINE

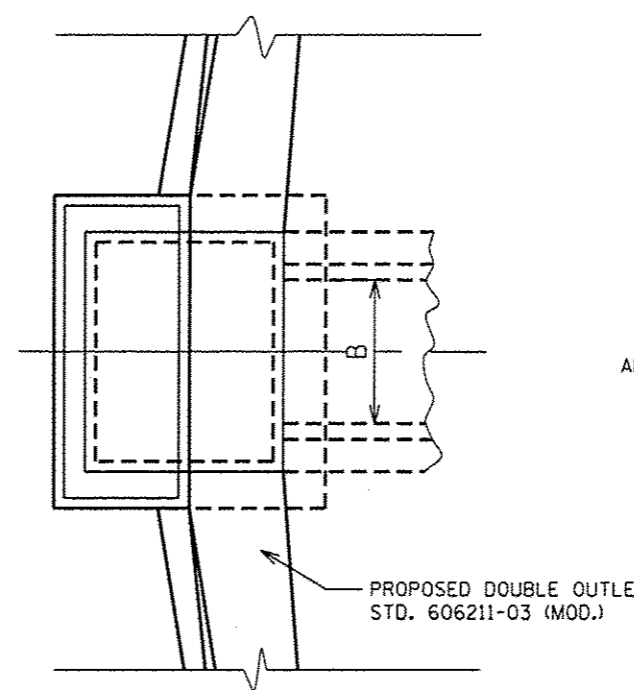


EXISTING PLAN VIEW

ITEM	LT 811+80	LT 881+50
PIPE DIAMETER (B)	18"	18"
DEPTH OF INLET (A)	-	5.6'
EXIST. INLET F.L.	-	-
PROP. GRATE ELEV.	591.37	-

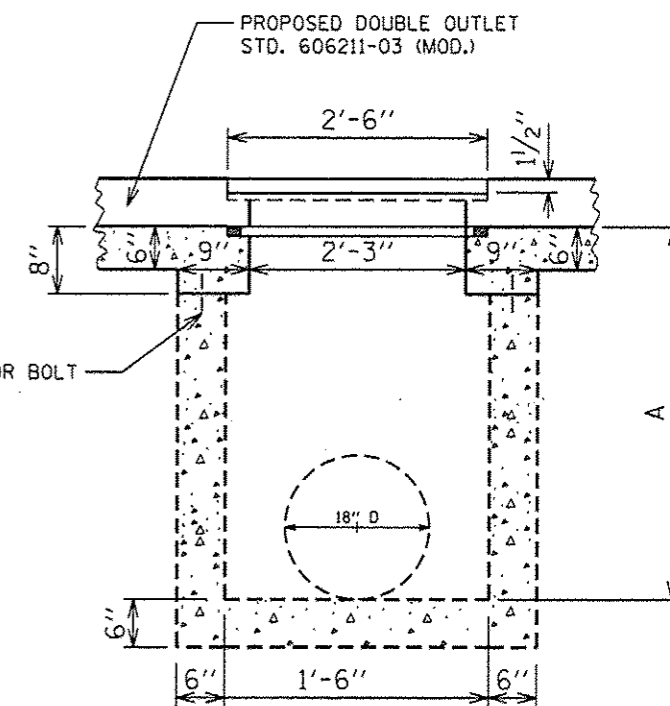


PROPOSED SECTION THROUGH CENTERLINE



PROPOSED PLAN VIEW

ITEM	LT 811+80	LT 881+50
PIPE DIAMETER (B)	18"	18"
DEPTH OF INLET (A)	-	5.6'
EXIST. INLET F.L.	-	-
PROP. GRATE ELEV.	591.37	-



PROPOSED CROSS-SECTIONAL VIEW

FILE NAME *	USER NAME * shahdm	DESIGNED -	REVISED -
ct:\pv-work\p\dot\shahdm\0316114\06xxxx	shh-ssht.dgn	DRAWN - DMS	REVISED -
Default	PLOT SCALE = 40.0000 * / 1in.	CHECKED -	REVISED -
	PLOT DATE = Jan-07-2013 10:16:36AM	DATE -	REVISED -

STATE OF ILLINOIS
DEPARTMENT OF TRANSPORTATION

DRAINAGE STRUCTURE DETAILS
STA. 811+80 (LT.) & STA. 881+50 (LT.)

SCALE: SHEET 4 OF 17 SHEETS STA. TO STA.

F.A.P. RTE.	SECTION	COUNTY	TOTAL SHEETS	SHEET NO.
510	(1201)	HANCOCK	28	15
CONTRACT NO. 72F73			[ILLINOIS] FED. AID PROJECT	