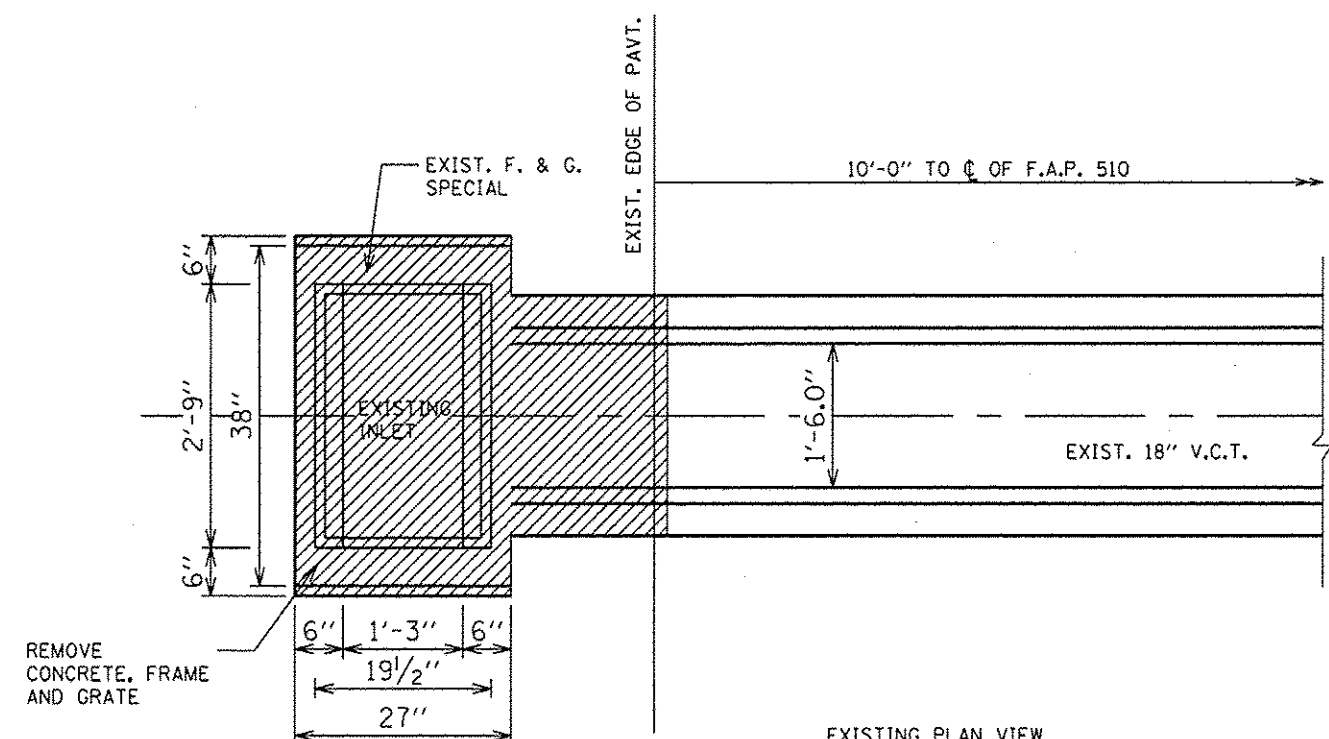
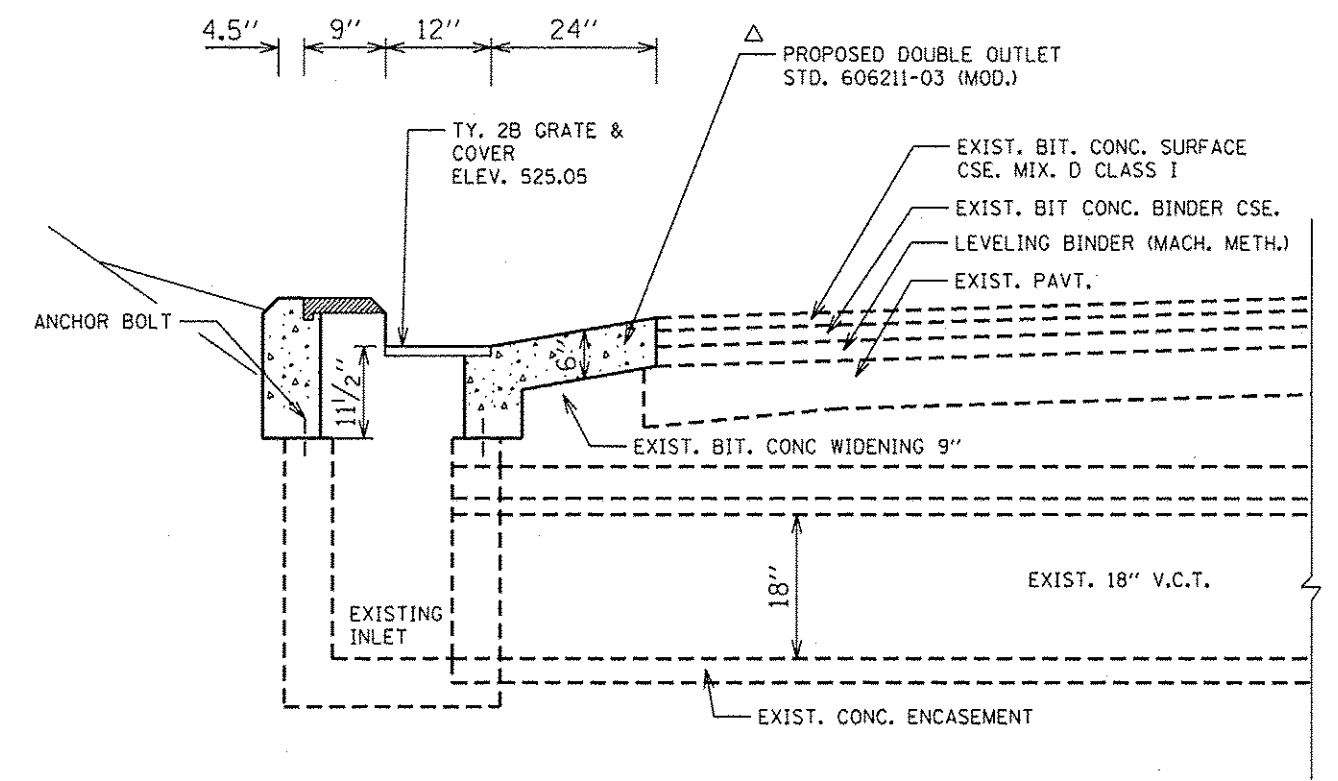


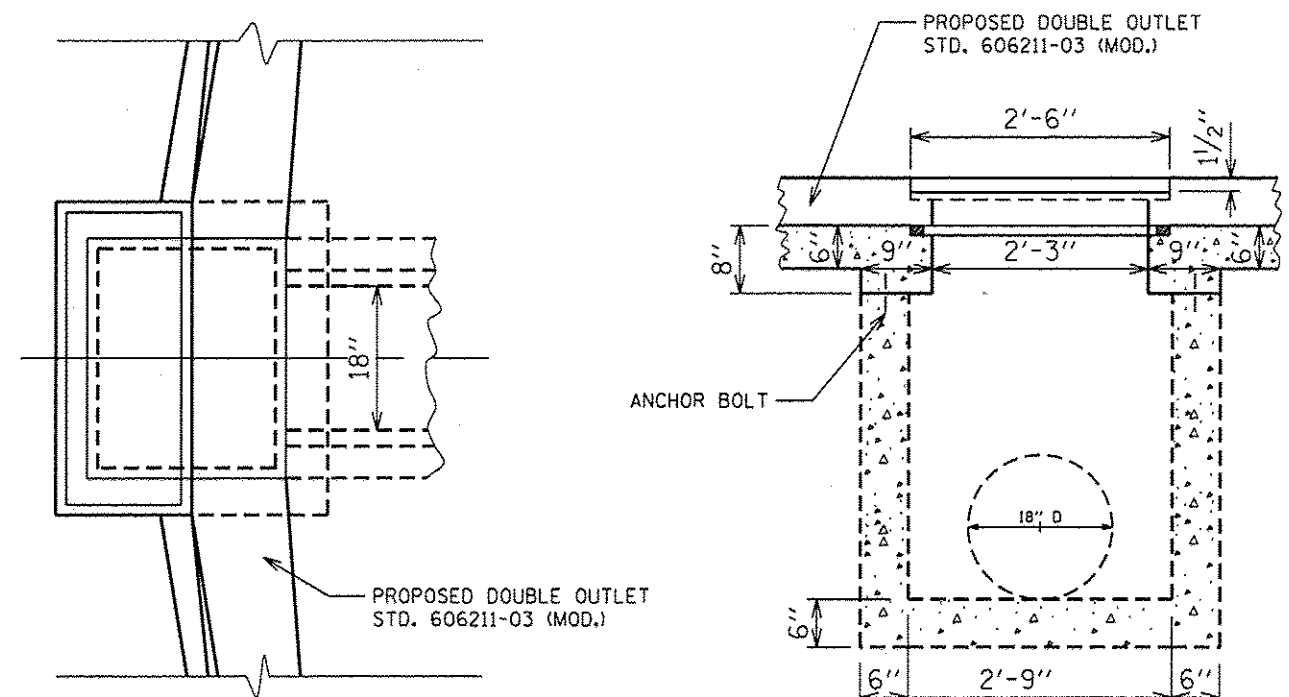
EXISTING SECTION THROUGH CENTERLINE



EXISTING PLAN VIEW



PROPOSED SECTION THROUGH CENTERLINE



PROPOSED PLAN VIEW

PROPOSED CROSS-SECTIONAL VIEW