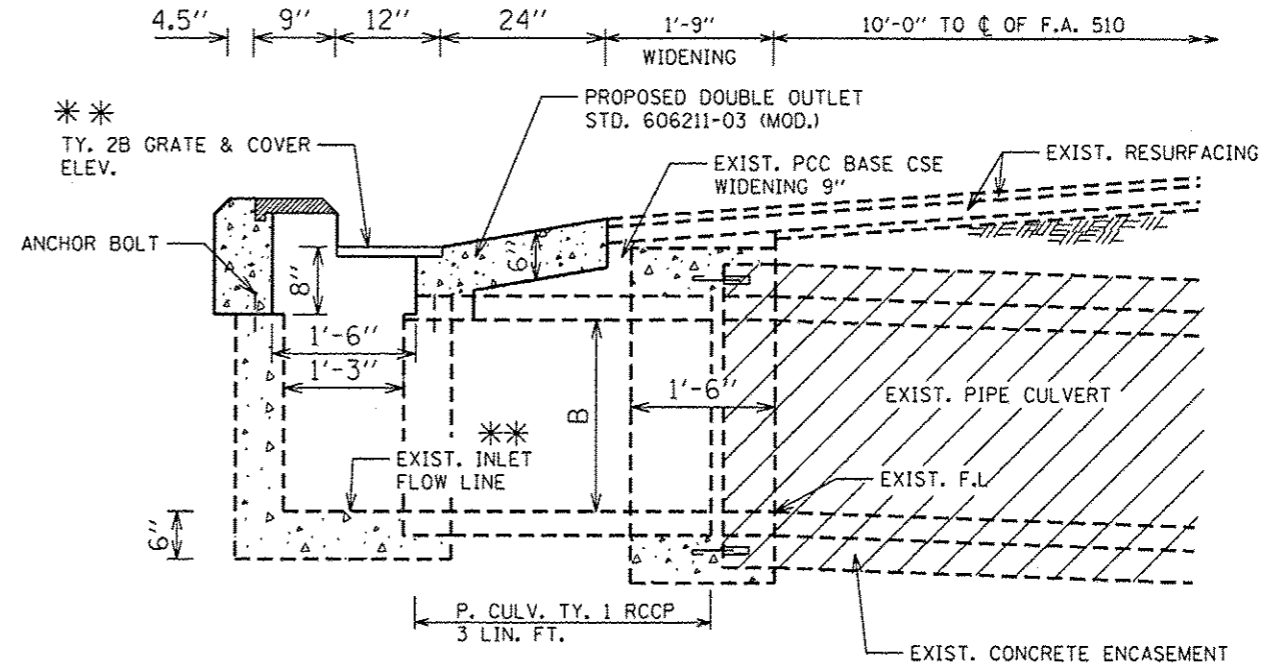
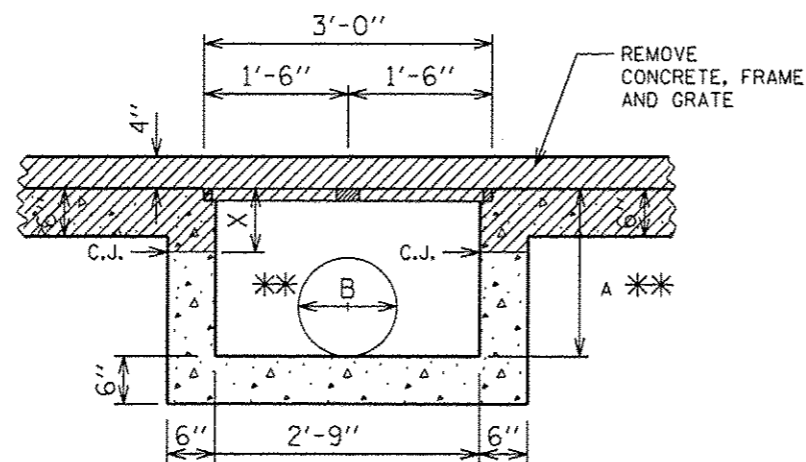


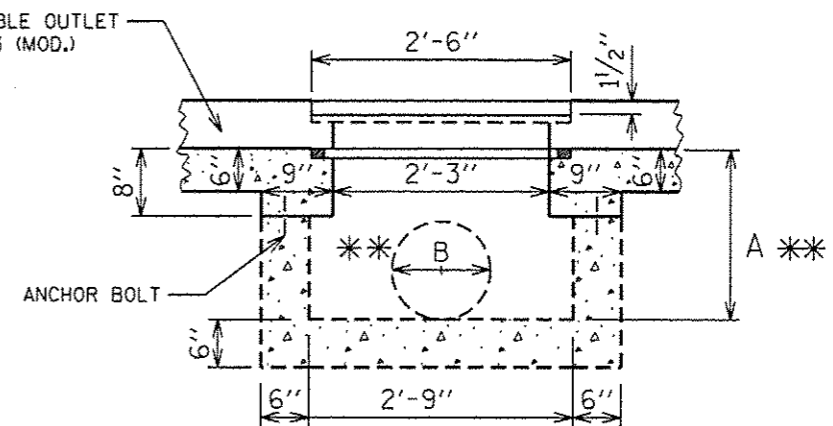
EXISTING SECTION THROUGH CENTERLINE



PROPOSED SECTION THROUGH CENTERLINE



EXISTING CROSS-SECTIONAL VIEW



PROPOSED CROSS-SECTIONAL VIEW

NOTES:

REMOVE EXISTING 26.5' OF TYPE B GUTTER. SEE PLAN VIEW ON SHEET NO. 12

* ONLY DEPTH OF THE INLET WAS MODIFIED

C.J. - CONSTRUCTION JOINT

X - VARIES BY EACH LOCATION

**

| ITEM | LT 711+75 | LT 719+35 | LT 793+10 | LT 921+57 | LT 1001+99 | LT 1048+34 |
|--------------------|-----------|-----------|-----------|-----------|------------|------------|
| PIPE DIAMETER (B) | 24" | 24" | 18" | 24" | 18" | 18" |
| DEPTH OF INLET (A) | 3.70' | 3.10' | 3.80' | 3.66' | 2.91' | 3.17' |
| EXIST. INLET F.L. | - | - | - | 569.10 | 522.56 | 523.92 |
| EXIST. GRATE ELEV. | - | - | - | 572.76 | 525.47 | 527.09 |

NOTES:

CONSTRUCT DOUBLE OUTLET TYPE B GUTTER (SECTION C-C & D-D), SEE SHEET NO. 13

**

| ITEM | LT 711+75 | LT 719+35 | LT 793+10 | LT 921+75 | LT 1001+88 | LT 1048+35 |
|--------------------|-----------|-----------|-----------|-----------|------------|------------|
| PIPE DIAMETER (B) | 24" | 24" | 18" | 24" | 18" | 18" |
| DEPTH OF INLET (A) | 3.74' | 3.14' | 3.84' | 3.70' | 2.95' | 3.21' |
| EXIST. INLET F.L. | - | - | - | 569.10 | 522.56 | 523.92 |
| PROP. GRATE ELEV. | - | - | - | 572.80 | 525.51 | 527.13 |

| | | | |
|--|--------------------|-------------|-----------|
| FILE NAME * | USER NAME = shahdm | DESIGNED - | REVISED - |
| ct\pwwork\pwwork\shahdm\8316114\06xxxx | shh\ssshLdgn | DRAWN - DMS | REVISED - |
| PLOT SCALE = 48.0000' / in. | | CHECKED - | REVISED - |
| PLOT DATE = Nov-28-2012 10:03:32AM | | DATE - | REVISED - |

STATE OF ILLINOIS
DEPARTMENT OF TRANSPORTATION

DRAINAGE STRUCTURE DETAILS
VARIOUS STATIONS

| | | | | |
|---------------------------|---------|--------------|--------------|-----------|
| F.A.P. RTE. | SECTION | COUNTY | TOTAL SHEETS | SHEET NO. |
| 510 | (1201) | HANCOCK | 28 | 19 |
| CONTRACT NO. 72F73 | | | | |
| SCALE: | SHEET 8 | OF 17 SHEETS | STA. | TO STA. |
| ILLINOIS FED. AID PROJECT | | | | |